

REPAIR PARTS LIST

Now that you have purchased this water heater, should a need ever exist for repair parts or service, simply contact the company it was purchased from or direct from the manufacturer listed on the rating plate on the water heater.

Selling prices will be furnished on request or parts will be shipped at prevailing prices and you will be billed accordingly.

The model number of your Water Heater will be found on the rating plate located above the lower access panel.

Be sure to provide all pertinent facts when you call or visit.

WHEN ORDERING REPAIR PARTS, ALWAYS GIVE THE FOLLOWING INFORMATION:

- MODEL NUMBER
- VOLTAGE AND ELEMENT WATTAGE
- SERIAL NUMBER
- PART DESCRIPTION

PCE 6/10/17/20 (refer to repair parts table).

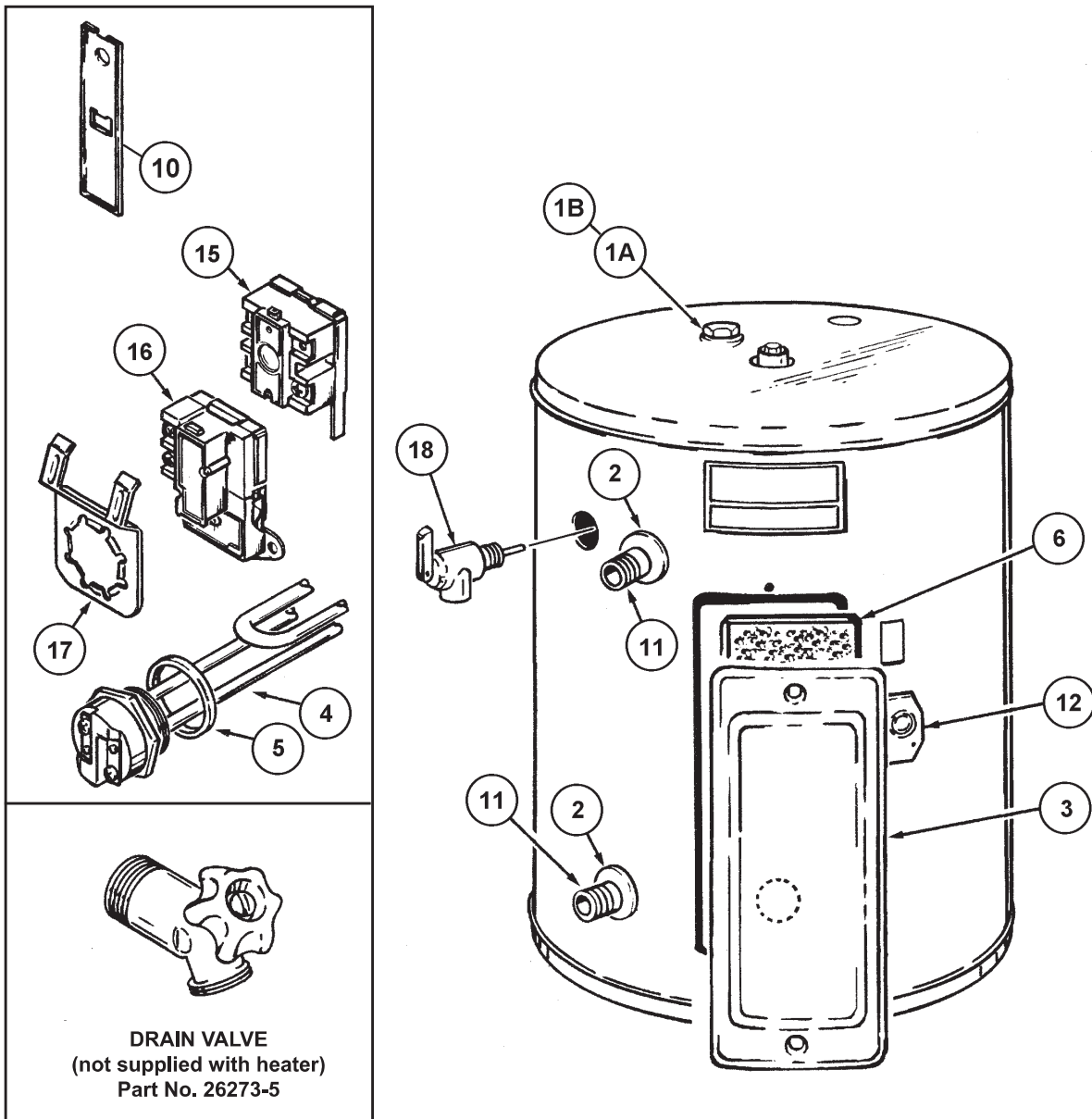


FIGURE 10

Item	Description	PCE-61OSMA Series 102	PCE-101OSMA Series 102	PCE-171OSMA Series 102	PCE-201OSMA Series 102
1A	Anode, Alum.....	9003942005.....	9003942005.....	9003942005.....	9003944005
1B	Anode, Mag. (SMR P72 and S19).....	9001909005.....	9001909005.....	9001909005.....	9003721005
2	Collar, Pipe.....	9004610115.....	9004610115.....	9004610115.....	9004610115
3	Cover, Front.....	9003900005.....	9003900005.....	9003900005.....	9003900005
4	ELEMENT, HEATING.....	<u>SEE ELEMENT CHART ON PAGE 23</u>			
5	Gasket, Element.....	<u>9000308005</u>	<u>9000308005</u>	<u>9000308005</u>	<u>9000308005</u>
6	Opening Insulation.....	043307-000.....	043307-000.....	043307-000.....	043307-000
7	*Instruction Manual.....	195202-004.....	195202-004.....	195202-004.....	195202-004
10	Personnel Protector.....	9003914015.....	9003914015.....	9003914015.....	9003914015
11	Pipe Nipple.....	194130.....	194130-3.....	194130-3.....	194130-3
12	Plate, Knockout.....	43293-1.....	43293-1.....	43293-1.....	43293-1
	PLUG				
15/16	Thermostat with High Limit Switch.....	<u>9006586015</u>	<u>9006586015</u>	<u>9006586015</u>	<u>9006586015</u>
17	Bracket, Thermostat.....	9003898015.....	9003898015.....	9003898015.....	9003898015
18	Valve, Relief.....	<u>9003484005</u>	<u>9003741005</u>	<u>9003741005</u>	<u>9003741005</u>

*Not Illustrated.
Standard Hardware Items May Be Purchased Locally. Underlined Parts Are Recommended For Emergency Replacement.

PCE 30 2ORTA thru PCE 120 2ORTA
(Refer to Repair Parts Table on page 22)

PCE 30 2OLSA thru PCE 50 2OLSA
(Refer to Repair Parts Table on page 22)

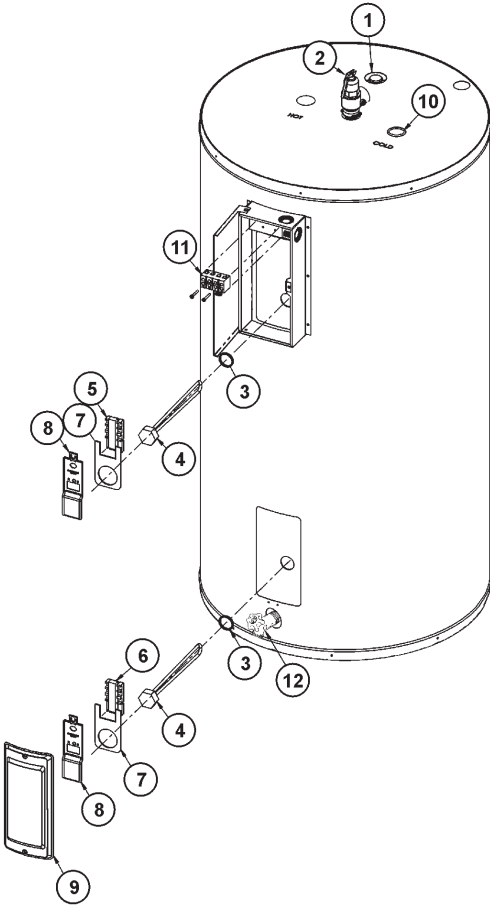


FIGURE 11

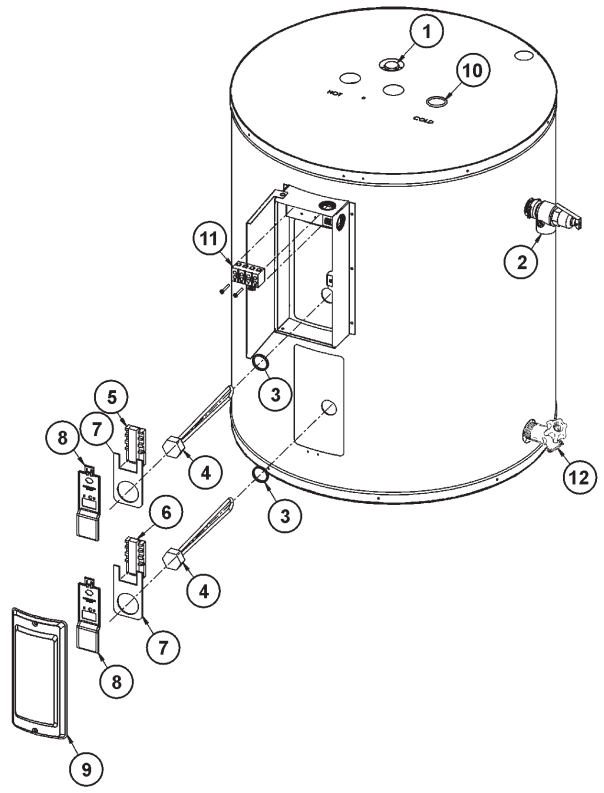


FIGURE 12

Item Description	PCE 30 2OLSA	PCE 40 2OLSA	PCE 50 2OLSA	PCE 30 2ORTA	PCE 40 2ORTA	PCE 52 2ORTA	PCE 66 2ORTA	PCE 52 2ORTA	PCE 120 2ORTA
	Series 110	Series 110	Series 110	Series 110	Series 110	Series 110	Series 110	Series 110	Series 110
1A....Anode, Alum.	9003944005	9003944005	9003944005	9003944005	9003944005	9003944005	9000029005	9003892005	9003892005
1B....Anode, Mag.(SMR P72).....	9003721005	9003721005	9003721005	9003721005	9003721005	9003721005	9003721005	9001829005	9001829005
2T&P Relief Valve.....	9003741005	9003741005	9003741005	9000071005	9000071005	9000071005	9000071005	9000071005	9000071005
3Gasket, Element.....	9000308045	9000308045	9000308045	9000308045	9000308045	9000308045	9000308045	9000308045	9000308045
4ELEMENT, each.....	(SEE ELEMENT & WATTAGE CHART page 23.)								
5Upper Thermostat w/Hi Limit	<u>9002856015</u>	<u>9002856015</u>	<u>9002856015</u>	<u>9002856015</u>	9002856015	9002856015	9002856015	9002856015	9002856015
6Lower Thermostat w/Hi Limit	<u>9002857015</u>	<u>9002857015</u>	<u>9002857015</u>	<u>9002857015</u>	<u>9002857015</u>	<u>9002857015</u>	<u>9002857015</u>	<u>9002857015</u>	<u>9002857015</u>
7Thermostat Bracket, each.....	9003898215	9003898215	9003898215	9003898215	9003898215	9003898215	9003898215	9003898215	9003898215
8Personal Protector.....	9003914015	9003914015	9003914015	9003914015	9003914015	9003914015	9003914015	9003914015	9003914015
9Lower Access Panel.....	9003900005	9003900005	9003900005	9003900005	9003900005	9003900005	9003900005	9003900005	9003900005
10Dip Tube.....	9003902005	9003902005	9003902005	9003902005	9003903005	9003904005	9003905005	9003905005	9005709205
11Power Terminal.....	9005719215	9005719215	9005719215	9005719215	9005719215	9005719215	9005719215	9005719215	9005719215
12Drain Valve	9003906015	9003906015	9003906015	9003906015	9003906015	9003906015	9003906015	9003906015	9003906015
15*....Junction Box Assembly.....	195171	195171	195171	195171	195171	195171	195171	195171	195171

*Not Illustrated.

Standard Hardware Items May Be Purchased Locally.

Underlined Parts Are Recommended For Emergency Replacement.