

24" CALI CONSOLE WITH BRASS STAND

Cat. No
749WH, 750WH, 758WH



W: 24-1/2"
D: 19-1/4"
H: 37"



Mounting hardware T801A

Interior Dimensions:

Basin Interior:	17" X 12-1/4"
Water Depth to OF:	5-7/8"
Faucet and Spout Hole:	1-1/2"
Sink Maximum Mount Bolts Height:	31-1/2"
Mount Bolt Height for Stand:	24-1/2"

Features:

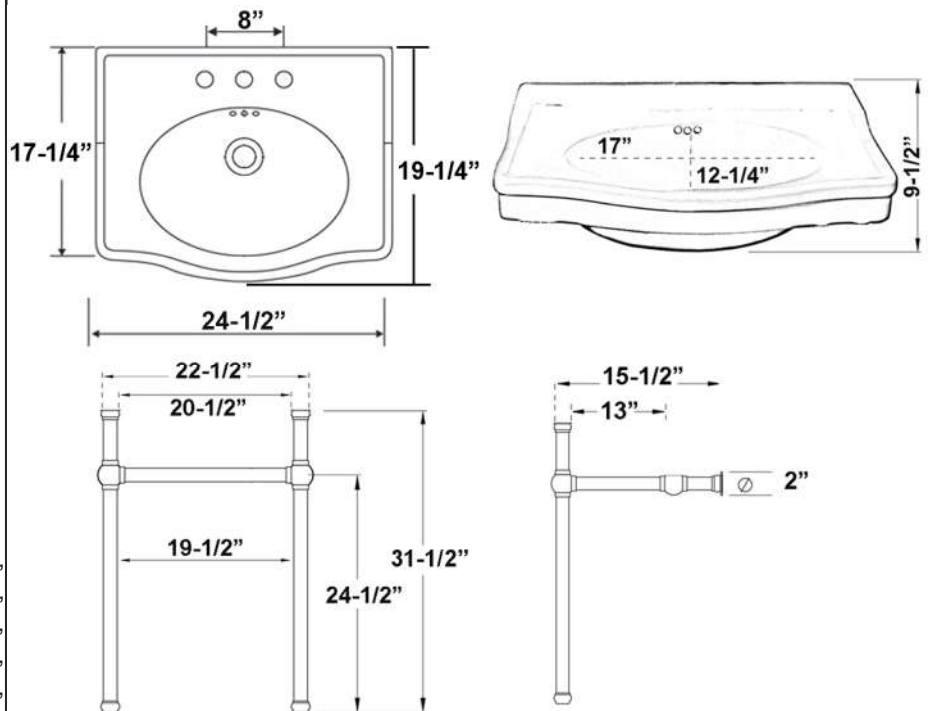
- ▶ Basin is vitreous china
- ▶ Stand is made of 1" brass tubing
- ▶ Pre-drilled overflow
- ▶ Pre-drilled for single hole (749WH), 4" centerset (758WH) or 8" widespread faucet (750WH)
- ▶ Rim thickness 9-1/2"
- ▶ Accommodates 1-1/2" drain
- ▶ Stand is available in 5 finishes
- ▶ Mounting hardware included

Colors:

BN Brushed Nickel
CP Polished Chrome
PN Polished Nickel
PB Polished Brass
ORB Oil Rubbed Bronze

Compliance Certification

Meets or exceeds the following specifications: ASME A112.19.1
2018 AND CSA B45.1-18 for Vitreous China fixtures.



Dimensions of fixture are nominal and may vary within the range of tolerances established by ASME Standard A112.19.2.2018 Dimensions and specifications subject to change without notice.