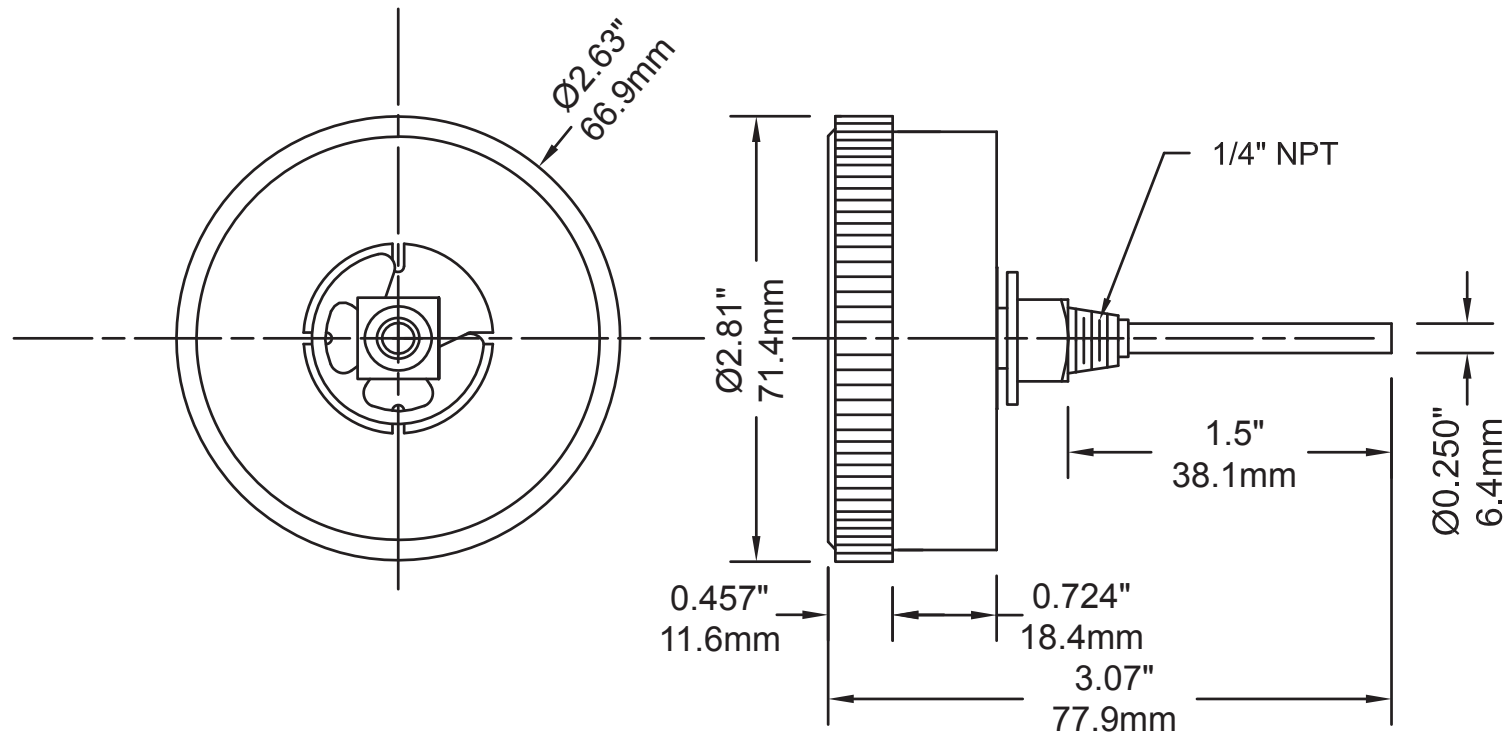


Case: Black steel
 Lens: Acrylic
 Dial: Aluminum
 Tube: Phosphor Bronze
 Movement: Brass
 Socket: Brass
 Welding: Silver Alloy

Accuracy: Pressure $\pm 3\%$ - 2% - 3% of full scale
 Temperature $\pm 3\%$ of full scale
 Enclosure: IP50
 Range: Pressure: 0-75 PSI/KPA dual scale
 Temperature: 75-320 F&C dual scale



DRAWN BY: ROBIN LUGTU

ENG. APPROVAL: DR

ALL DIMENSIONS IN INCHES/MM

TOLERANCES
(unless otherwise stated)

Fractional:	$\frac{1}{64}$ " 0.4mm
Decimal:	0.06" 1.5mm

REVISION DATE: #2 Oct. 27, 2016

TITLE:

2.5" TRIDICATOR, BACK CONNECTION, SHORT STEM

DRAWING NO: TTD410