

## Features

- Brass construction.
- Compression valve.
- Annealed vertical tube with supply flange.
- 3/8" NPT connection with flange.
- Four-arm handle stop.



For complete listing of available colors, go to [kohler.com](http://kohler.com).

## Codes/Standards

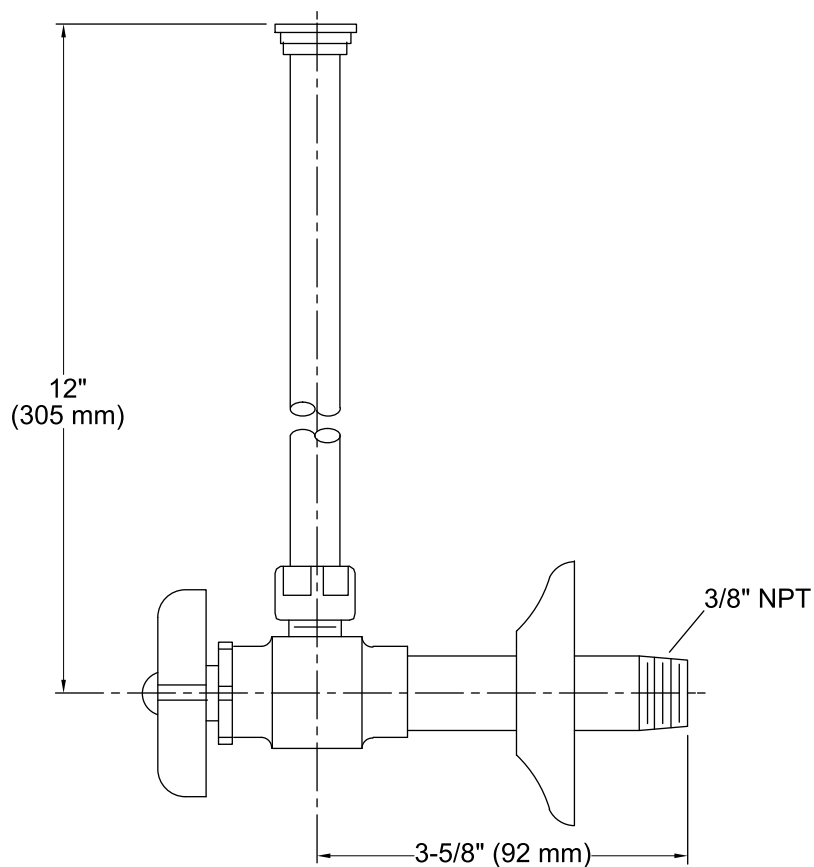
ASME A112.18.1/CSA B125.1

## KOHLER® One-Year Limited Warranty

See website for detailed warranty information.

## Product Specification

Angle supply with stop shall be 12" (305 mm) in height from center of valve and 3-5/8" (92 mm) in length from center of vertical tube. Angle supply with stop shall be brass construction. Angle supply with stop shall be four-arm handle. Angle supply with stop shall be shall be KOHLER Model K-7637.



### Technical Information

All measurements are nominal.

### Installation Notes

Install this product according to the installation guide.