

Ambient Temperature: -23°F to 122°F (-5°C to 50°C)

Case: Steel, painted black

Bezel: Polished S/S

Lens: Glass

Dial: Aluminum

Tube: Phosphor Bronze

Movement: Brass and Phosphor Bronze

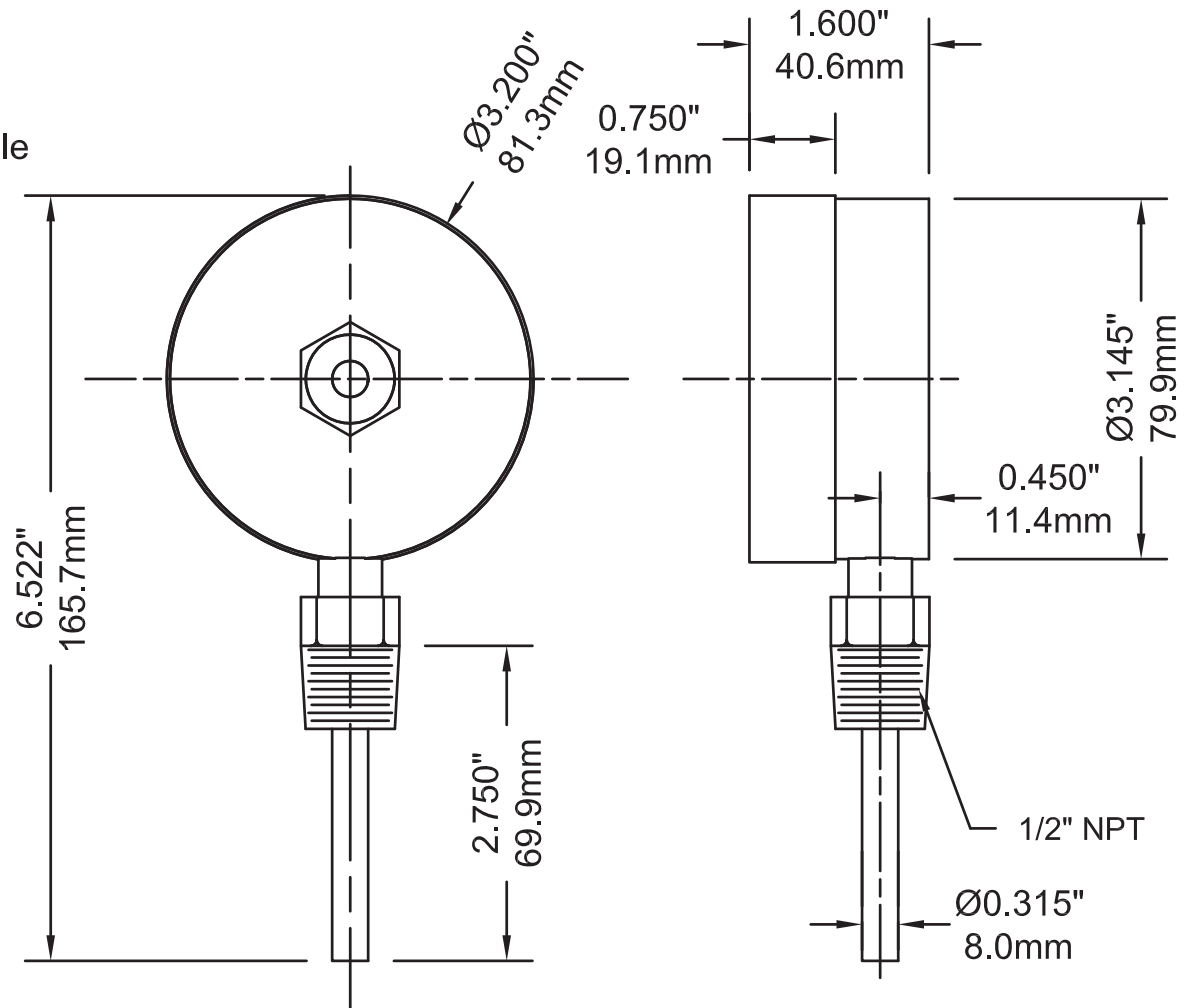
Socket: Brass

Welding: Silver Alloy

Accuracy: Pressure  $\pm 3\%$ - $2\%$ - $3\%$  of full scale

Temperature  $\pm 3\%$  of full scale

Enclosure: IP50



DRAWN BY: PHOEBE MA

ENG. APPROVAL:

ALL DIMENSIONS IN INCHES/MM

TOLERANCES (unless otherwise stated)	
Fractional:	$\frac{1}{64}"$ 0.4mm
Decimal:	0.06" 1.5mm

REVISION DATE: Jan. 08, 2009

TITLE:

3" TRIDICATOR, BOTTOM CONNECTION

DRAWING NO: TTD-3-T-2-N