



## PASCO Specialty & Mfg., Inc.

P.O. Box 1667  
 South Gate, CA 90280  
 Phone (310) 537-7782  
 Fax (800) 737-2726

7529 Perryman Court  
 Curtis Bay, MD 21226  
 Phone (410) 360-5010  
 Fax (877) 377-6466

www.pascospecialty.com

### TECHNICAL SPECIFICATION SUBMITTAL

Flexible polyvinyl chloride (PVC) sheeting for water proofing ceramic tile showers.

Job Name \_\_\_\_\_ Date \_\_\_\_\_

Model Specified \_\_\_\_\_ Quantity \_\_\_\_\_

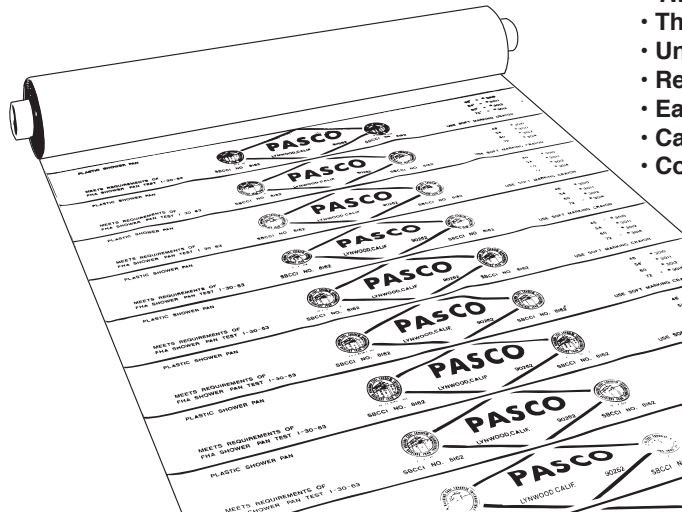
Customer/Wholesaler \_\_\_\_\_

Contractor \_\_\_\_\_

Architect/Engineer \_\_\_\_\_

Engineering Specification: Flexible polyvinyl chloride (PVC) sheeting to use to water proof ceramic tile shower stalls in residential, institutional or commercial installations.

## Flexible Vinyl Shower Pan Liner

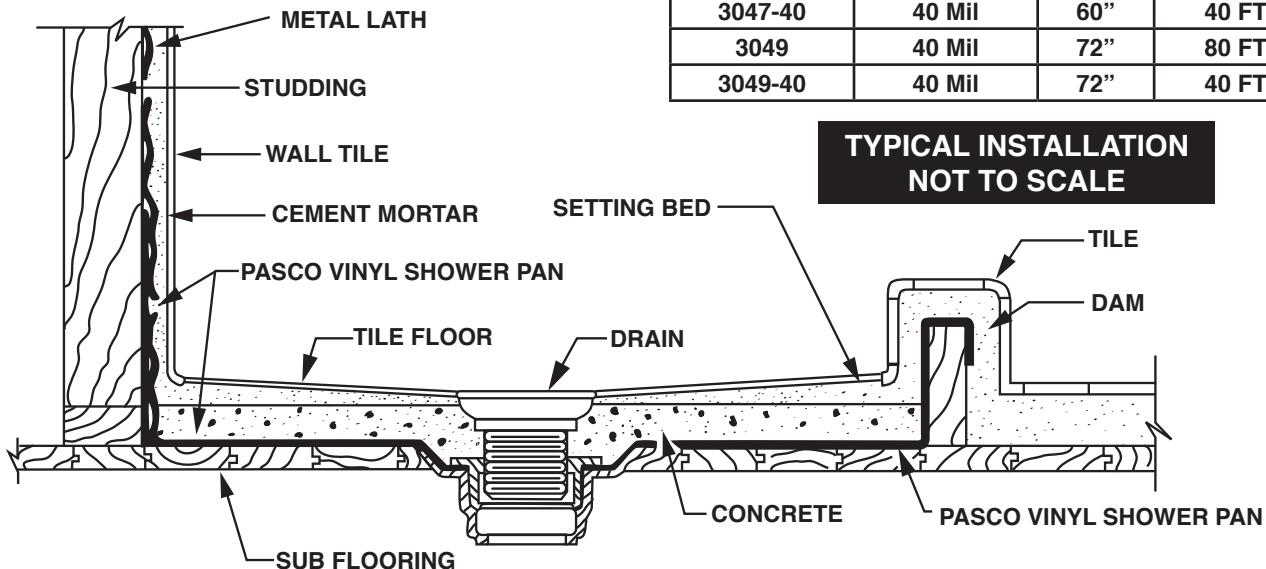


- Two thicknesses 30mil or 40mil
- Three widths 48" - 60" - 72" - 80" rolls (approx)
- Unaffected by mold, mildew or fungus
- Remains flexible even during low temperature installations
- Easily installed with no waiting period before testing
- Can be solvent welded to joint sections for large areas
- Complete installation instructions are available on the website

Complies with:

- ASTM D4551
- IAPMO File 2308 - 30 and 40 mil

PART NUMBER	THICKNESS	WIDTH	APPROX. LENGTH
3018	30 Mil	60"	80 FT
3020	30 Mil	72"	80 FT
3045	40 Mil	48"	80 FT
3047	40 Mil	60"	80 FT
3047-40	40 Mil	60"	40 FT
3049	40 Mil	72"	80 FT
3049-40	40 Mil	72"	40 FT



### Flexible Waterproofing Membrane