

## Features

- 30" (762 mm) minimum base cabinet width
- Single bowl
- 5-1/2" (140 mm) bowl depth for easy accessibility
- Right rear drain placement increases workspace in the sink and storage space underneath
- Rounded 3/8" (10 mm) corners are easy to clean
- SilentShield® sound-absorption technology offers quieter performance
- All included accessories nest neatly together for easy storage when not in use
- Included accessories: cutting board, drain board, colander / drying rack, soaking bin with drain, stainless steel bottom sink rack, drain cover
- Sink drain and strainer sold separately

## Material

- Premium 16-gauge stainless steel

## Installation

- Undermount
- Installation hardware and templates included

## Recommended Products/Accessories

- K-35484 Three-piece workstation sink prep bowl set
- K-35487 Three-piece ice bucket set
- K-35488 Ice bucket holder
- K-35489 Professional-style cutting board
- K-35491 Marble serving tray
- K-35485 Workstation sink cover
- K-37917-WAL Colander
- K-37918-WAL Soaking bin
- K-37922-WAL Three-piece salad bowl set
- K-37923-WAL Pot rack
- K-37914-WAL Three-piece workstation sink prep bowl set

## Optional Products/Accessories

- K-8801 Sink drain and strainer with tailpiece
- K-11352 Disposal Flange with Stopper
- K-23729 Stainless steel cleaner
- K-35492 Bar sink cover

## Included Components

- K-35478 Three-piece workstation sink accessory set
- K-35480 Hardwood cutting board
- K-35482 Drain cover



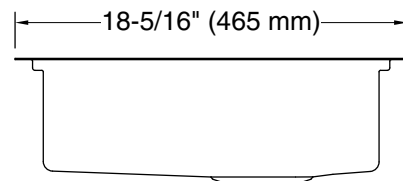
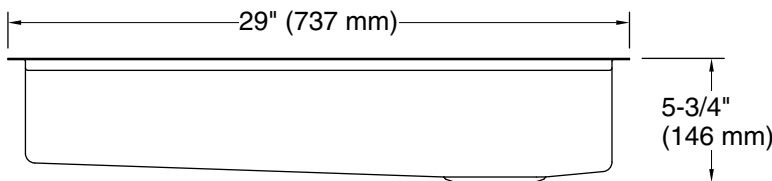
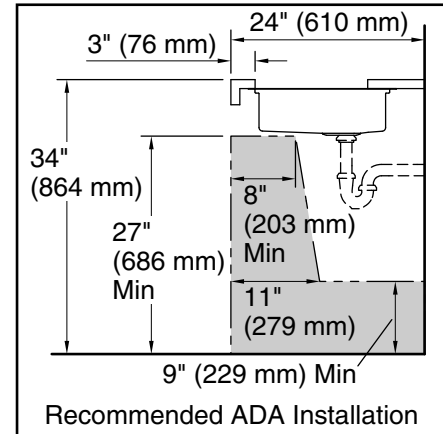
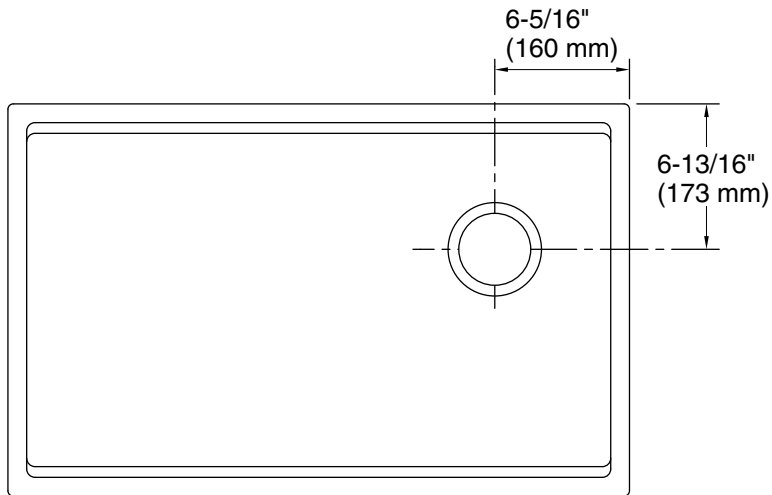
**ADA**

## Codes/Standards

ASME A112.19.3/CSA B45.4  
ADA  
ICC/ANSI A117.1

## KOHLER® Stainless Steel Sinks Lifetime Limited Warranty

See website for detailed warranty information.



## Technical Information

All product dimensions are nominal.

Basin configuration: Single Bowl  
Min. base cabinet width: 30" (762 mm)

Bowl area (Basin #1):  
Length: 27-1/4" (692 mm)  
Width: 15-9/16" (395 mm)  
Bowl depth: 5-1/2" (139 mm)  
Water depth: 5-1/2" (139 mm)

Drain hole: 3-3/4" (94 mm)

Template: Undermount, 1564887-7, required, included

## Notes

Install this product according to the installation instructions.

"NOTICE: Countertop manufacturer or cutter must use the cut-out template provided with the product, or a current one provided by Kohler Co. (call 1-800-4KOHLER). Kohler Co. is not responsible for cutout errors when the incorrect cut-out template is used."

ADA compliant when installed to the specific requirements of these regulations.