

Inverter Driven Heat Pump

24,000 BTU Single Zone Circular Flow Cassette

Job Name \_\_\_\_\_  
 Location \_\_\_\_\_  
 Engineer \_\_\_\_\_  
 Submitted To \_\_\_\_\_  
 Submitted By \_\_\_\_\_  
 Reference \_\_\_\_\_

Date \_\_\_\_\_  
 Approval \_\_\_\_\_  
 Construction \_\_\_\_\_  
 Unit No \_\_\_\_\_  
 Drawing No \_\_\_\_\_

**PRODUCT FEATURES**

- 360° Circular flow distributes air more evenly around the room
- Seamless Airflow Louver
- Optional human sensor detects room occupancy for energy savings
- Quiet Operation (as low as 30 db)
- Lineset Length up to 164ft
- Grille available in White (UTG-GCGF) or Black (UTG-LCGVCB), sold separately



MODEL NUMBERS			
Indoor Unit	AUUH24LUAS		
Outdoor Unit	AOUH24LUAS1		
System	24LUAS1U		
EFFICIENCIES			
SEER	--		
SEER 2	23		
EER	--		
EER 2	12.6		
HSPF	--		
HSPF 2	11		
COP	kW/kW	--	
COP	Btu/hW	--	
COP2	kW/kW	3.8	
COP2	Btu/hW	13.0	
OUTDOOR TEMPERATURE OPERATION RANGE			
Cooling	-5 to 115 (-21 to 46)		
Heating	*F(°C)	-5 to 75 (-21 to 24)	
CAPACITIES			
Cooling	Rated	Btu/h	24000
	Min.–Max.		5,400–28,000
Heating	Rated	Btu/h	27000
	Min.–Max.		5,400–32,000
LINESET REQUIREMENTS			
Connection Method	Flare		
Liquid	in (mm)	Ø3/8 (Ø9.52)	
Gas	in (mm)	Ø5/8 (Ø15.88)	
Pre-charge length	66 (20)		
Minimum Length	ft (m)	16 (5)	
Max. length	164 (50)		
Max. height difference	98 (30)		
INDOOR DIMENSIONS & WEIGHT			
Net (H x W x D)	in (mm)	9-11/16 x 33-1/16 x 33-1/16 (246 x 840 x 840)	
Gross (H x W x D)	11-3/4 x 37-3/8 x 38-3/16 (298 x 950 x 970)		
Net Weight	lb (kg)	53 (24)	
Gross Weight	64 (29)		
OUTDOOR DIMENSIONS & WEIGHT			
Net (H x W x D)	in (mm)	31 x 37 x 12-5/8 (788 x 940 x 320)	
Gross (H x W x D)	38-1/16 x 40-7/16 x 17-1/2 (966 x 1,027 x 445)		
Net Weight	lb (kg)	117 (53)	
Gross Weight	134 (61)		

**Warranty Information**



7 Year Compressor, 5 Year Parts out-of-the-box Warranty

10 Year Compressor, 10 Year Parts Warranty when registered within 60 days of installation in a residence

12 Year Compressor, 12 Year Parts Warranty when registered within 60 days of installation in a residence, and installed by a Fujitsu Elite contractor

**ACCESSORIES**

UTY-RNRUZ-Series	Wired Remote Controller
UTY-RSRY	Simple Remote Controller
UTY-RHRY	Simple Remote Controller
UTY-LBTUC	IR Receiver Kit with Wireless Remote Controller
UTG-GCGF	Cassette Grille
UTG-LCGVCB	Cassette Grille
UTY-TFSXJ4	WLAN Adapter
UTY-VM SX	Modbus Converter
UTY-VK SX	KNX Converter
UTY-TTRXZ1	Thermostat Converter
UTY-VTGX	Network Converter
UTY-TERX	External Switch Controller
UTY-SHZXC	Human Sensor Kit
UTY-XWZXZG	External Connect Kit
UTR-YDZK	Air Outlet Shutter Plate
UTG-AKXA-W	Wide Panel
UTG-BKXA-W	Panel Spacer
UTZ-VXRA	Fresh Air Intake Kit
UTZ-KXRA	Insulation Kit for High Humidity
UTY-XCSX	External Input and Output PCB
UTZ-GXRA	External Input and Output PCB Box

Due to continuous product improvements, specifications are subject to change without notice. Please log in to the Fujitsu Portal for the most up-to-date documentation <https://connect.fujitsugeneral.com>

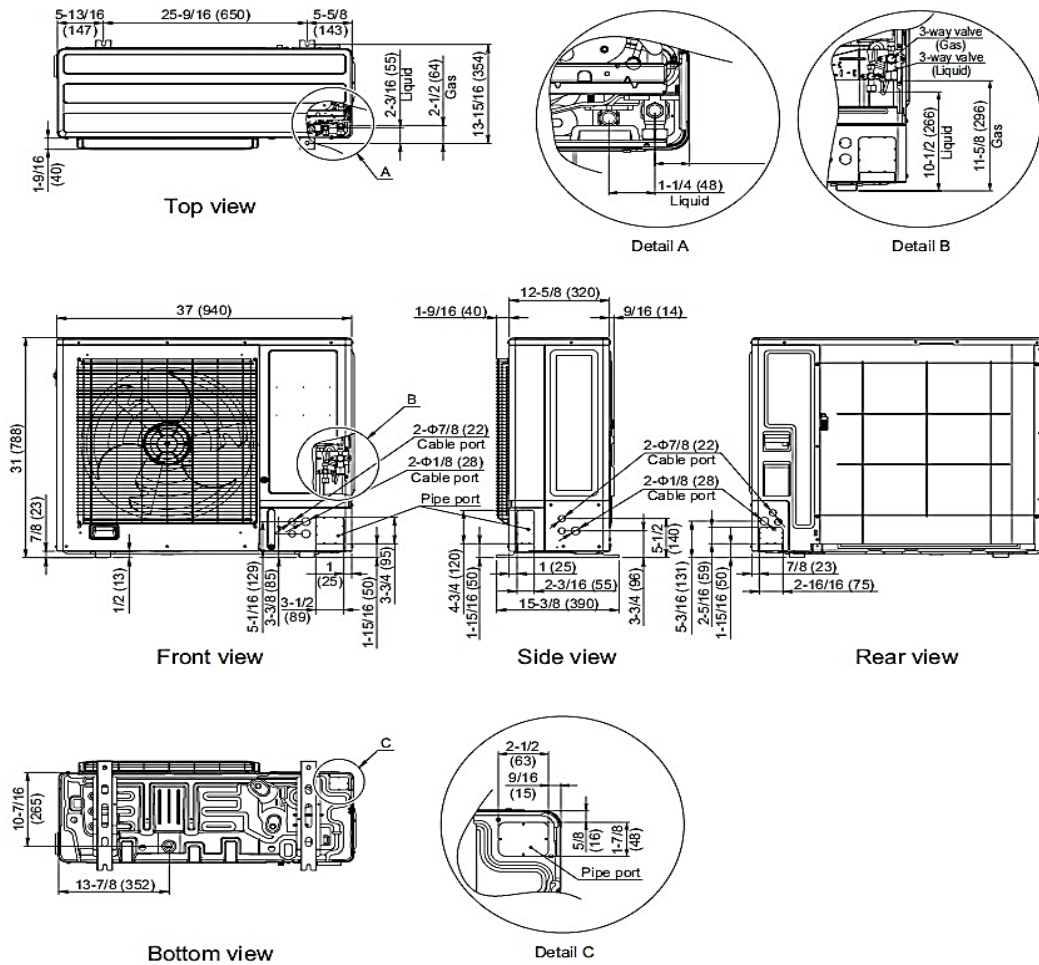
Effective Date: 5/2/2023



DIMENSIONS

Units: In. (mm)

Outdoor Unit



The Fujitsu logo is a worldwide trademark of Fujitsu General Limited. The Airstage logo and name is a worldwide trademark of Fujitsu General Limited and is a registered trademark in Japan, the USA and other countries or areas. Copyright 2022 Fujitsu General America, Inc. Fujitsu's products are subject to continuous improvements. Fujitsu reserves the right to modify product design, specifications and information in this brochure without notice and without incurring any obligations.

Note: Specifications are based on the following conditions:  
 Cooling: Indoor temperature of 80°F (26.7°C) DB/67°F (19.4°C) WB, and outdoor temperature of 95°F (35°C) DB/75°F (23.9°C) WB. Heating: Indoor temperature of 70°F (21.1°C) DB/60°F (15.6°C) WB, and outdoor temperature of 47°F (8.3°C) DB/43°F (6.1°C) WB. Pipe length: 25ft. (7.5m), Height difference: 0ft. (0m) (Outdoor unit – indoor unit).