



**Northland™**  
15" undermount single-bowl bar sink  
**K-6589-U**

**Features**

- 15" (381 mm) minimum base cabinet width
- Single bowl
- 7" depth

**Material**

- KOHLER® enameled cast iron

**Installation**

- Includes undermount installation kit for simplified installation
- Undermount

**Recommended Products/Accessories**

- K-8801 Sink drain and strainer with tailpiece
- K-8799 Sink drain and strainer basket
- K-23726 Drain treatment
- K-23725 Cast iron cleaner

**Optional Products/Accessories**

- K-11352 Disposal Flange with Stopper
- K-9000 P-Trap

**Included Components**

- 52047 Clamp Accessory Pack, 4 Ea.



**ADA**

**Codes/Standards**

- ASME A112.19.1/CSA B45.2
- ADA
- ICC/ANSI A117.1
- IAPMO Certification

**KOHLER® Enameled Cast Iron  
Kitchen and Bathroom Sink Lifetime  
Limited Warranty**

See website for detailed warranty information.

**Available Colors/Finishes**

*Color tiles intended for reference only.*

Color	Code	Description
	0	White
	FF	Sea Salt™
	96	Biscuit
	NY	Dune
	95	Ice™ Grey
	58	Thunder™ Grey
	7	Black Black™
	TRF	Truffle
	17	Teal
	42	Aspen Green
	34	Fresh Green

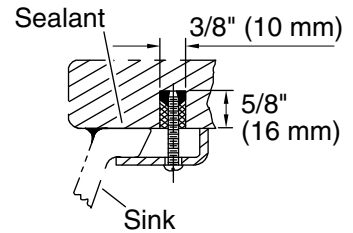
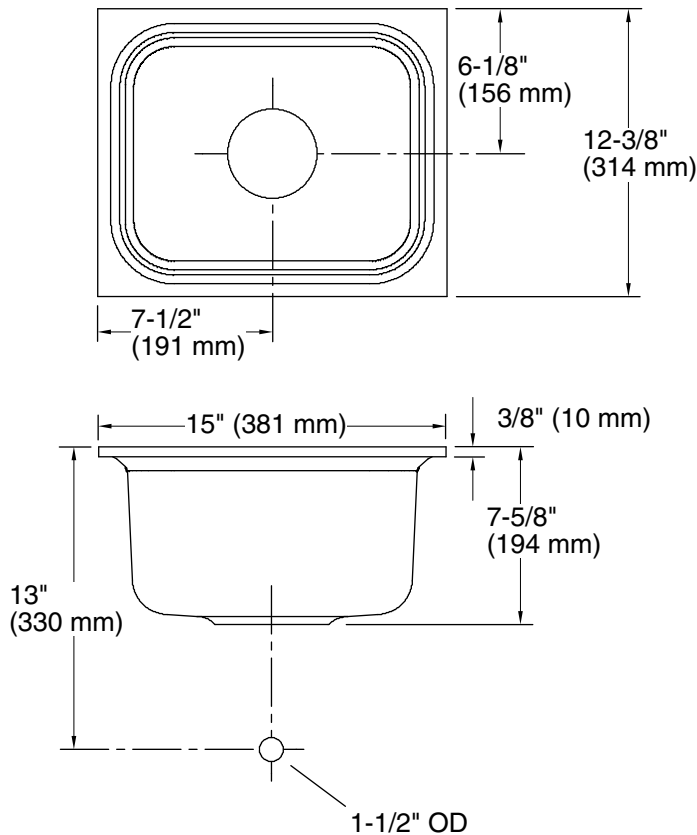
1-800-4KOHLER (1-800-456-4537)

Kohler Co. reserves the right to make revisions without notice to product specifications.

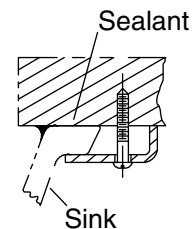
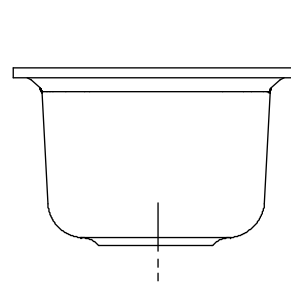
For the most current Specification Sheet, go to [www.kohler.com](http://www.kohler.com) USA or [www.kohler.ca](http://www.kohler.ca) Canada

2-26-2024 20:27 - US





Marble Slab  
Installation



Wood Counter  
Installation

Note: Waterproof the unprotected overhang area on the underside of a wood counter.

### Technical Information

All product dimensions are nominal.

Bowl configuration:	Single
Min. base cabinet width:	15" (381 mm)
Bowl area:	Length: 12" (305 mm) Width: 9-1/4" (235 mm) Bowl depth: 7" (178 mm)
Drain hole:	3-7/8" (98 mm)
Template:	1086707-7, required, included

### Notes

Install this product according to the installation instructions.

Supplied bowl clamp assemblies require 1" (25 mm) minimum countertop thickness. Installer must supply anchors for thinner countertops.

For multiple bowl under-mount installations, a minimum distance of 3-3/8" (86 mm) is required between bowls. Countertop supplier to determine required support.

ADA compliant when installed to the specific requirements of these regulations.

ADA permits a parallel approach to wet bars.