

Features

- Two-stage filtration and absorption system
- Reduces Chlorine Taste & Odor, Chloramine, Particulate Class I, Lead, Asbestos, Cyst, Mercury, Turbidity, and select Pharmaceuticals. See Performance Data Sheet for individual contaminants and reduction performance
- Reduces over 95% of perfluorooctanoic acid (PFOA) and perfluorooctane sulfonate (PFOS) in drinking water
- Filter head automatically turns off water supply when cartridge is removed
- 1.7 gpm (gallons per minute) maximum flow rate at 60 psi
- Eco-friendly coconut shell-based carbon filter
- Recommended for use with KOHLER® beverage faucets
- Filters cold water only when installed with a kitchen or bathroom faucet
- Includes K-77688 replacement cartridge two-pack

Material

- High-impact plastic construction

Installation

- Quarter turn twist cartridge replacement for easy install and replacement

Recommended Products/Accessories

- K-77688 Replacement Filter Cartridges, Two-Pack
- K-26369 Beverage faucet

Optional Products/Accessories

- K-24134 Beverage faucet
- K-24077 Beverage faucet
- K-28291 Beverage faucet
- K-28292 Beverage faucet
- K-26367 Traditional beverage faucet
- K-24074 Beverage faucet
- K-26368 Transitional beverage faucet

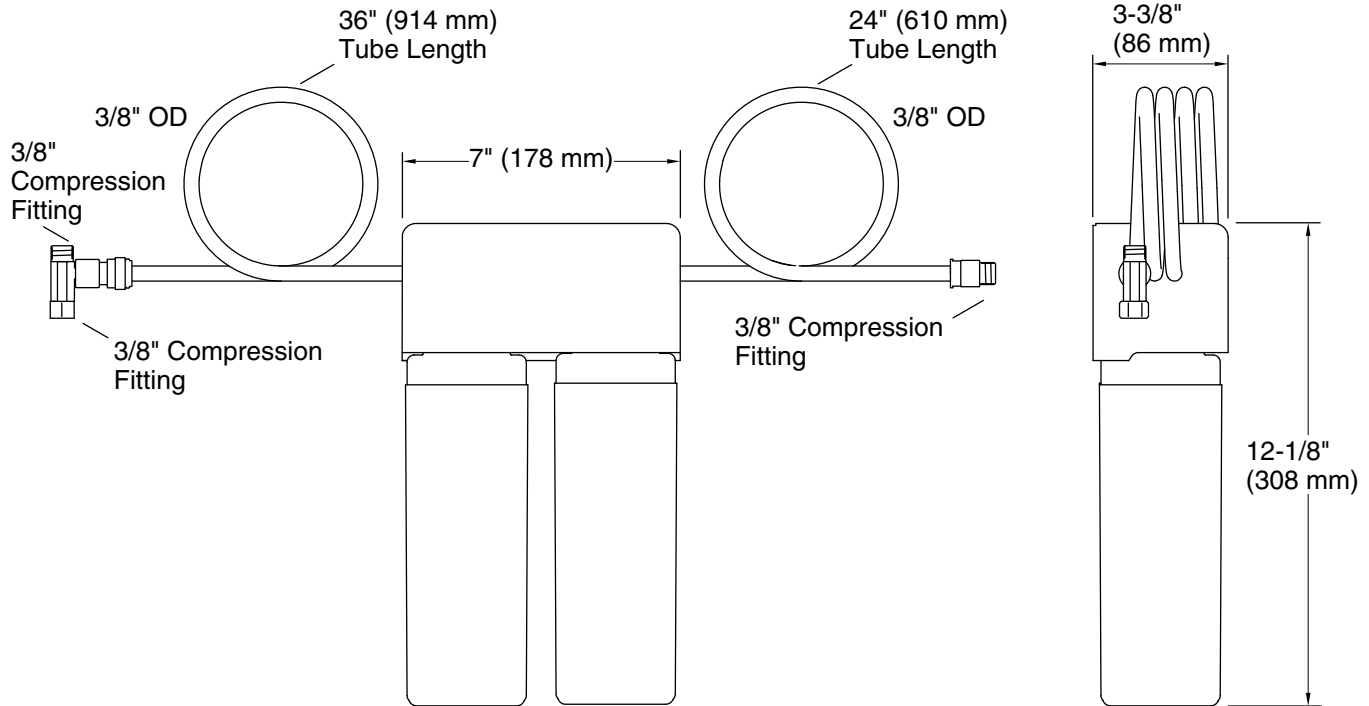


Codes/Standards

- CSA B483.1
- NSF/ANSI 42
- NSF/ANSI 53
- NSF/ANSI 401
- NSF Protocol P473

KOHLER® Water Filter Systems Five-Year Limited Warranty

See website for detailed warranty information.



Technical Information

All product dimensions are nominal.

Faucet flow rate: 1.7 gal/min (6.4 l/min)

Spout:

Notes

Install this product according to the installation guide.

To prevent the risk of property damage, protect from freezing.

For cold water use only.

To ensure the filter continues to reduce contaminants effectively, it is recommended that the filter gets replaced every 6 months.

Application guideline/water supply parameters:

Water Pressure: 40-120 psi (276-827 kPa)

Water Temperature: 33-100°F (0.5-37.8°C)

Capacity: 778 gal (2,945 L)