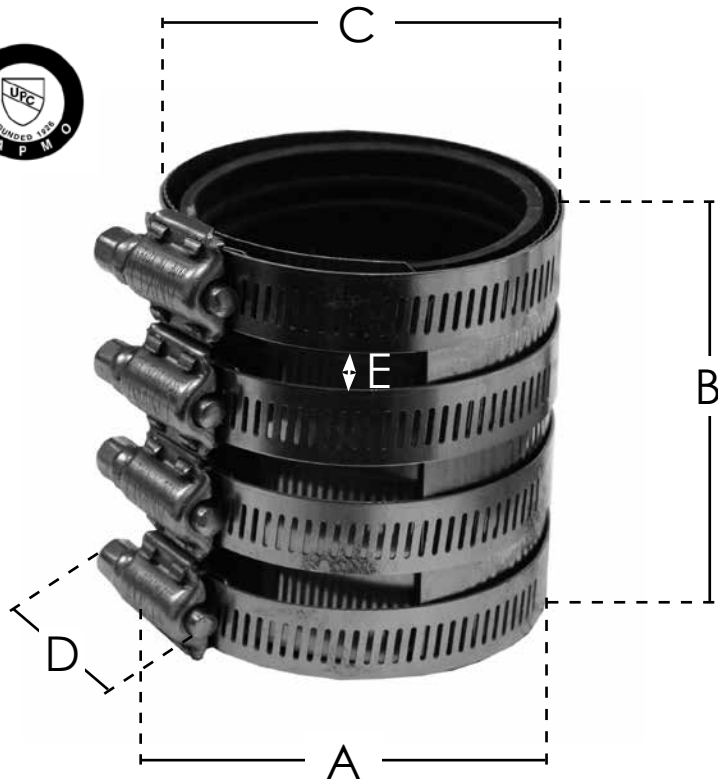


SPECIFICATION SUBMITTAL SHEET

JONES STEPHENS CORPORATION

IMPORT HEAVY DUTY NO HUB COUPLING



features & benefits:

- Manufactured in accordance with CISPI Standard 310
- 9/16" stainless steel bands
- Stainless steel housing and shield
- 3/8" stainless steel screws
- 80 inch/lb. installation torque
- Made in South Korea

This product and others like it can be found in the Jones Stephens catalog. Call today to order your catalog or download it from our website:
www.jonesstephens.com

| PART NO. | SIZE | A | B | C | D | E |
|----------|------|--------|----|----|--------|------|
| □ U99220 | 2" | 3-1/4" | 3" | 3" | 1-1/4" | 1/4" |

Jones Stephens

3249 Moody Parkway • Moody, Alabama 35004

Toll Free Phone: 1-800-355-6637 • Toll Free Fax: 1-800-462-6991

www.jonesstephens.com