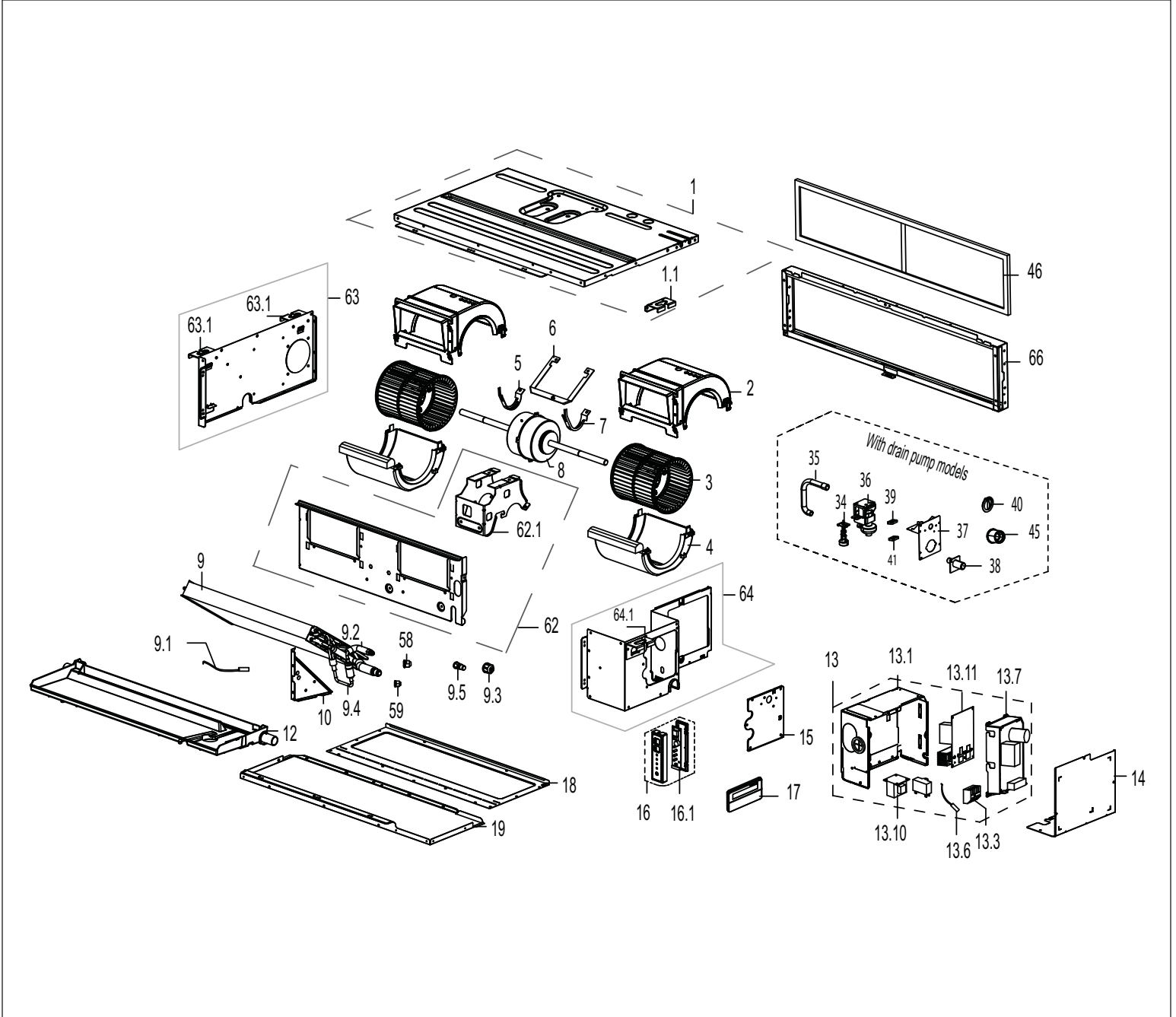


Bosch Climate 5000 Series Ducted Indoor Unit

BMS500-AAU009-1AHDXB | BMS500-AAU012-1AHDXB



Pos.	Description	Qty	BMS500-AAU009-1AHDXB	BMS500-AAU012-1AHDXB	Recommended Stock	Remarks
1	Top panel	1.0	8-733-954-106	8-733-954-106		
1.1	Mounting bracket	1.0	8-733-953-956	8-733-953-956		
2	Upper fan housing	2.0	8-733-954-107	8-733-954-107		
3	Fan	2.0	8-733-954-108	8-733-954-108	✓	
4	Lower fan housing	2.0	8-733-954-109	8-733-954-109		
5	Fan motor bracket (left)	1.0	8-733-953-958	8-733-953-958	✓	
6	Fan motor bracket	1.0	8-733-954-110	8-733-954-110	✓	
7	Fan motor bracket (right)	1.0	8-733-953-960	8-733-953-960	✓	
8	Brushless DC Motor	1.0	8-733-954-111	8-733-954-111	✓	
9	Evaporator Coil Assembly	1.0	8-733-954-112	8-733-954-133	✓	
9.1	Pipe temperature sensor	1.0	8-733-953-609	8-733-953-609		
9.2	Evaporator outlet pipe	1.0	8-733-954-114	8-733-954-134		
9.3	Pipe Nut	1.0	8-733-953-721	8-733-953-746		
9.4	Evaporator inlet pipe subassembly	1.0	8-733-954-116	8-733-954-116		
9.5	Check valve	1.0	8-733-953-745	8-733-953-745		
10	Evaporator right support panel	1.0	8-733-954-117	8-733-954-117		
12	Drain pan	1.0	8-733-954-118	8-733-954-118	✓	
13	Electronic control box assembly	1.0	8-733-954-119	8-733-954-135		
13.1	Electronic control box	1.0	8-733-954-120	8-733-954-120		
13.3	Terminal	1.0	8-733-953-575	8-733-953-575		
13.6	Room temperature sensor	1.0	8-733-953-576	8-733-953-576	✓	
13.7	Main control board	1.0	8-733-954-121	8-733-954-136	✓	
13.10	Reactor	1.0	8-733-945-639	8-733-945-639		
13.11	Inverter module	1.0	8-733-954-122	8-733-954-122	✓	
14	Electronic control box cover	1.0	8-733-954-123	8-733-954-123		
15	Pipe cover panel	1.0	8-733-954-124	8-733-954-124		
16	Display board assembly	1.0	8-733-953-978	8-733-953-978	✓	
16.1	Display board	1.0	8-733-953-979	8-733-953-979		
17	Wired controller	1.0	8-733-954-012	8-733-954-012		
18	Rear bottom panel	1.0	8-733-954-125	8-733-954-125		
19	Front bottom panel	1.0	8-733-954-126	8-733-954-126		
34	Water level sensor	1.0	8-733-953-579	8-733-953-579	✓	
35	Water drain pump tube	1.0	8-733-953-983	8-733-953-983		
36	Drain pump	1.0	8-733-953-984	8-733-953-984	✓	
38	Drain pipe	1.0	8-733-953-986	8-733-953-986		
39	Drain pump rubber washer	1.0	8-733-953-987	8-733-953-987		
41	Drain pump rubber washer	1.0	8-733-953-631	8-733-953-631		
46	Air filter	1.0	8-733-954-127	8-733-954-127	✓	
54	Accessory kit	1.0	8-733-953-635	8-733-953-635		
58	Copper nut	1.0	8-733-953-586	8-733-953-636		
59	Copper nut	1.0	8-733-953-636	8-733-953-644		
62	Fan motor bracket mounting assembly	1.0	8-733-954-128	8-733-954-128		
62.1	Fan motor mount	1.0	8-733-954-129	8-733-954-129		
63	Left panel	1.0	8-733-954-130	8-733-954-130		
63.1	Mounting bracket	2.0	8-733-953-997	8-733-953-997		
64	Right panel	1.0	8-733-954-131	8-733-954-131		
64.1	Mounting bracket	1.0	8-733-953-997	8-733-953-997		
66	Rear panel	1.0	8-733-954-132	8-733-954-132		
BMS500-AAU009-1AHDXB BMS500-AAU012-1AHDXB						