

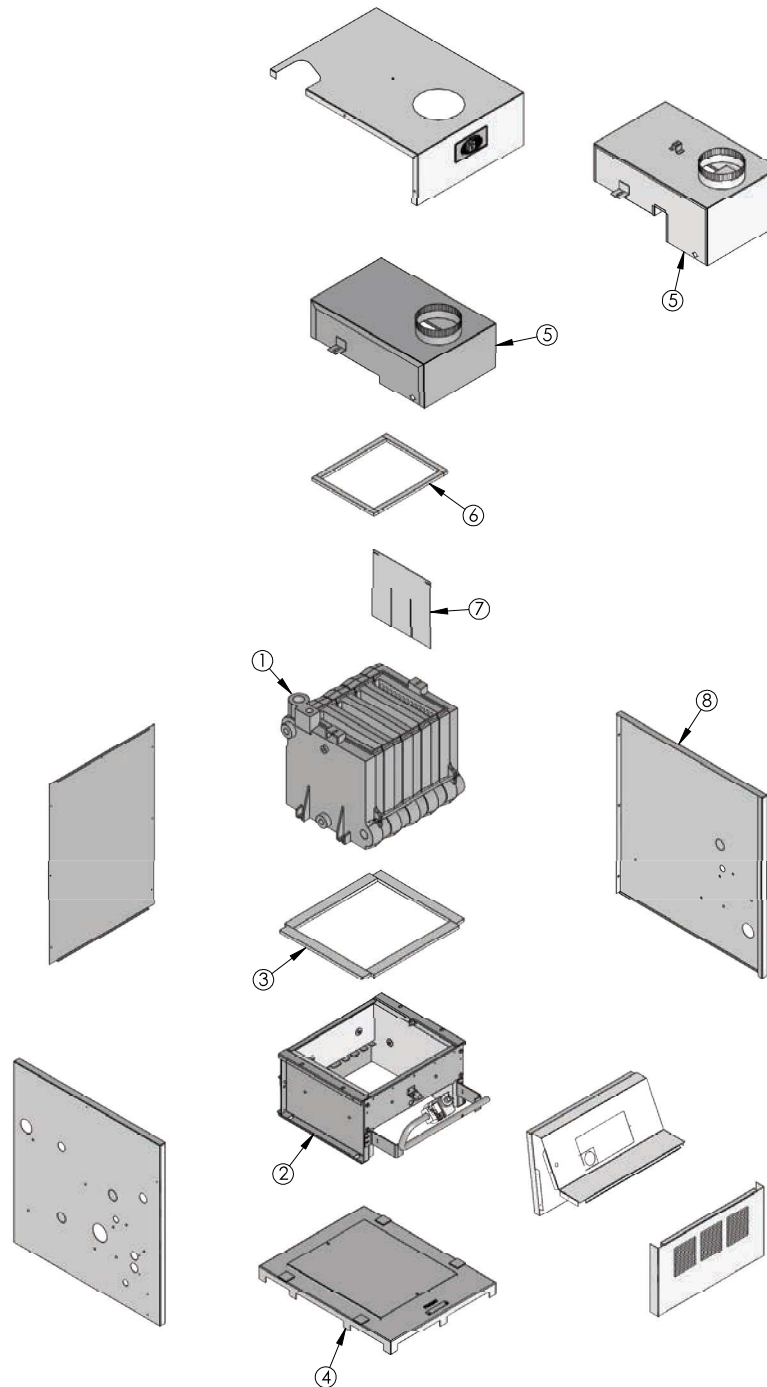
# 11. REPAIR PARTS

## REPAIR PARTS

### SERIES SERIES MI-e™ GAS BOILER

Repair parts are available from your local PB Heat, LLC distributor or from Parts To Your Door at 1 (610) 916-5380 ([www.partstoyourdoor.com](http://www.partstoyourdoor.com)).

Note: Remember to include the boiler model number and serial number when ordering parts.



**Figure 11.1: Boiler Parts**

Table 11.1: Boiler Parts

	Description	Quantity Required	Stock Code
1	Block Assembly – MI-e-03	1	90419
	Block Assembly – MI-e-04	1	90420
	Block Assembly – MI-e-05	1	90421
	Block Assembly – MI-e-06	1	90422
	Block Assembly – MI-e-07	1	90423
	Block Assembly – MI-e-08	1	90424
	Block Assembly – MI-e-09	1	90425
2	Base Assembly – MI-e-03	1	7800
	Base Assembly – MI-e-04	1	7801
	Base Assembly – MI-e-05	1	7802
	Base Assembly – MI-e-06	1	6600
	Base Assembly – MI-e-07	1	6601
	Base Assembly – MI-e-08	1	6602
	Base Assembly – MI-e-09	1	6603
3	Base Blanket Seal (4' to 7')	7 ft.	50867
4	Combustible Floor Pan Assembly – MI-e-03	1	90700
	Combustible Floor Pan Assembly – MI-e-04	1	90701
	Combustible Floor Pan Assembly – MI-e-05	1	90702
	Combustible Floor Pan Assembly – MI-e-06	1	90703
	Combustible Floor Pan Assembly – MI-e-07	1	90704
	Combustible Floor Pan Assembly – MI-e-08	1	90705
	Combustible Floor Pan Assembly – MI-e-09	1	90706
5	Flue Collector/Draft Hood – MI-e-03	1	90510
	Flue Collector/Draft Hood – MI-e-04	1	90511
	Flue Collector/Draft Hood – MI-e-05	1	MI5006
	Flue Collector/Draft Hood – MI-e-06	1	91920
	Flue Collector/Draft Hood – MI-e-07	1	91921
	Flue Collector/Draft Hood – MI-e-08	1	91922
	Flue Collector/Draft Hood – MI-e-09	1	91923
6	Flue Collector Blanket Seal (4' to 7')	7 ft.	50866
7	Flue Baffles – 03	2	51608
	Flue Baffles – 04	3	51608
	Flue Baffles – 05	4	51608
	Flue Baffles – 06	5	51608
	Flue Baffles – 07	6	51608
	Flue Baffles – 08	7	51608
	Flue Baffles – 09	8	51608
8	Jacket Assembly (Complete Jacket) – MI-e-03	1	Contact Factory
	Jacket Assembly (Complete Jacket) – MI-e-04	1	Contact Factory
	Jacket Assembly (Complete Jacket) – MI-e-05	1	Contact Factory
	Jacket Assembly (Complete Jacket) – MI-e-06	1	Contact Factory
	Jacket Assembly (Complete Jacket) – MI-e-07	1	Contact Factory
	Jacket Assembly (Complete Jacket) – MI-e-08	1	Contact Factory
	Jacket Assembly (Complete Jacket) – MI-e-09	1	Contact Factory

Part numbers may be subject to change without notice.

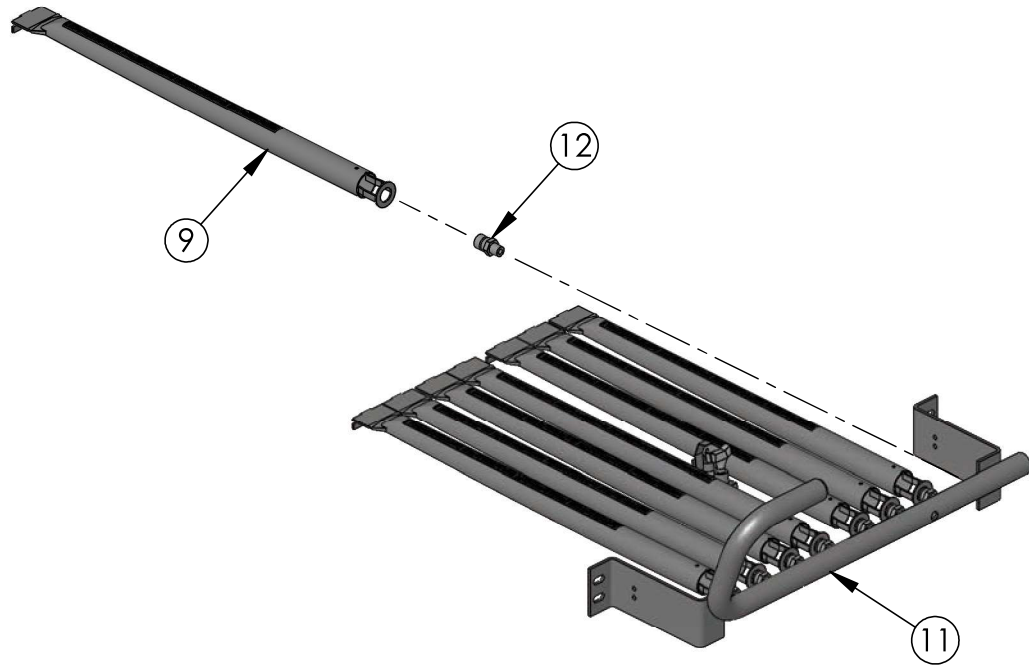


Figure 11.2: Manifold

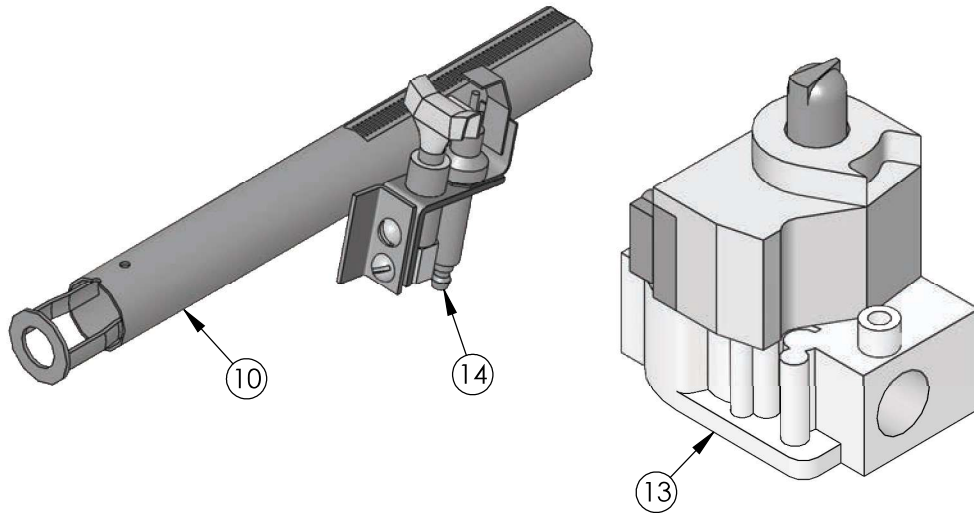


Figure 11.3: Gas Valve and Pilot (Intermittent Ignition)

Table 11.2: Manifold, Gas Valve and Pilot

	Description	Quantity Required	Stock Code
9	Steel Burner – MI-e-03	3	51537
	Steel Burner – MI-e-04	5	51537
	Steel Burner – MI-e-05	7	51537
	Steel Burner – MI-e-06	9	51537
	Steel Burner – MI-e-07	11	51537
	Steel Burner – MI-e-08	13	51537
	Steel Burner – MI-e-09	15	51537
10	Steel Burner w/ Spark Pilot Bracket	1	51539
11	Gas Manifold – MI-e-03	1	50978
	Gas Manifold – MI-e-04	1	50979
	Gas Manifold – MI-e-05	1	50980
	Gas Manifold – MI-e-06	1	50981
	Gas Manifold – MI-e-07	1	50954
	Gas Manifold – MI-e-08	1	50955
	Gas Manifold – MI-e-09	1	50956
12	Orifice Spud, #48 Natural Gas – MI-e-03	4	50894
	Orifice Spud, #48 Natural Gas – MI-e-04	6	50894
	Orifice Spud, #48 Natural Gas – MI-e-05	8	50894
	Orifice Spud, #48 Natural Gas – MI-e-06	10	50894
	Orifice Spud, #48 Natural Gas – MI-e-07	12	50894
	Orifice Spud, #48 Natural Gas – MI-e-08	14	50894
	Orifice Spud, #48 Natural Gas – MI-e-09	16	50894
	Orifice Spud, #56 LP Gas – MI-e-03	4	50899
	Orifice Spud, #56 LP Gas – MI-e-04	6	50899
	Orifice Spud, #56 LP Gas – MI-e-05	8	50899
	Orifice Spud, #56 LP Gas – MI-e-06	10	50899
	Orifice Spud, #56 LP Gas – MI-e-07	12	50899
	Orifice Spud, #56 LP Gas – MI-e-08	14	50899
	Orifice Spud, #56 LP Gas – MI-e-09	16	50899
13	Honeywell VR8204A-2001 Gas Valve Spark – Natural Gas MI-e-03 thru MI-e-05	1	50583
	Honeywell VR8304P-4504 Gas Valve Spark – Natural Gas MI-e-06 thru MI-e-09 - 0.9" WC Step	1	50847
	Honeywell VR8204A-2103 Gas Valve Spark – LP MI-e-03 thru MI-e-05	1	50584
	Honeywell VR8304P-4314 Gas Valve Spark – LP MI-e-06 thru MI-e-09 - 1.4" WC Step	1	50724
14	Honeywell Q3481B-1644 Spark Pilot – Natural Gas MI-e-03 thru MI-e-09	1	50996
	Honeywell Q3481B-1529 Spark Pilot – LP MI-e-03 thru MI-e-09	1	50997

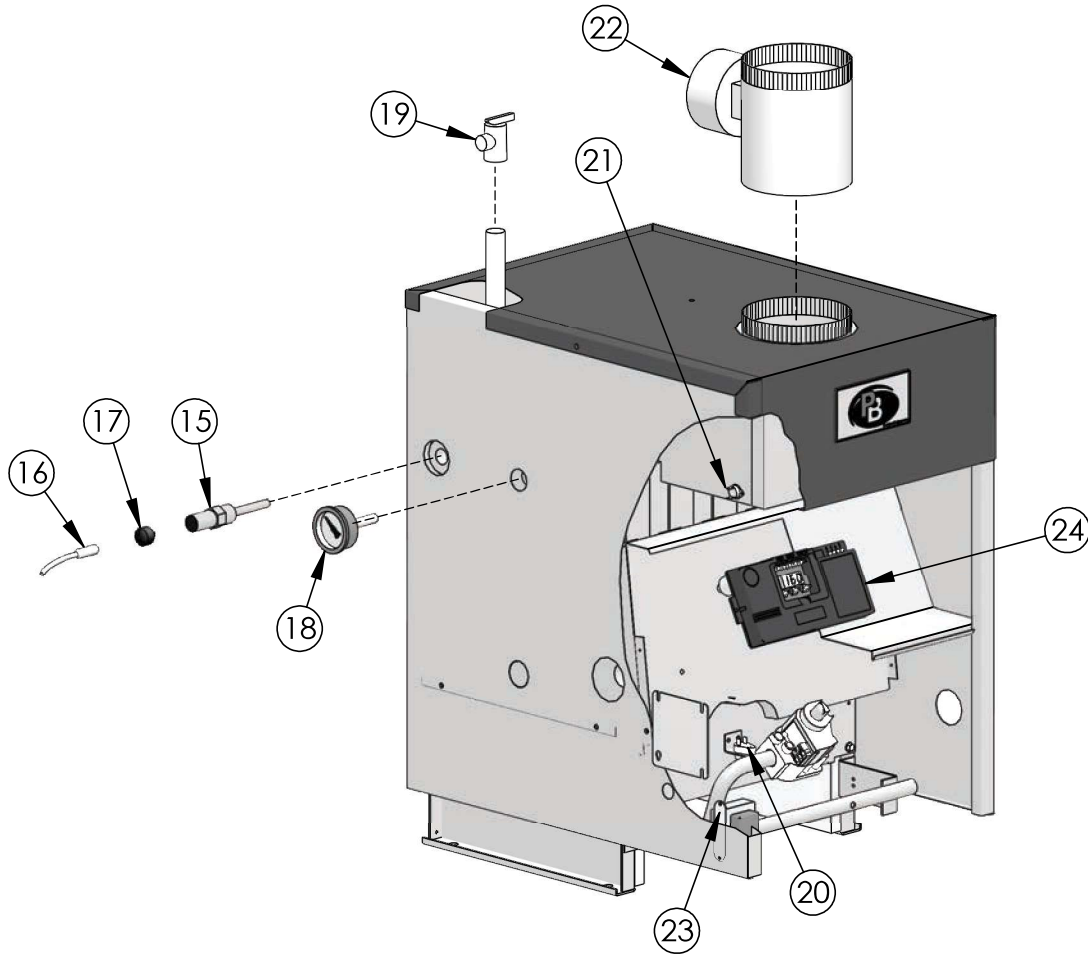


Figure 11.4: Controls/Circulator/Vent Damper

Table 11.3: Controls/Circulator/Vent Damper

	Description	Quantity Required	Stock Code
15	Well Hydrolevel HydroStat 48-201	1	50723
16	Sensor for Hydrolevel HydroStat 4200	1	50361
17	Grommet Hydrolevel HydroStat 4200 (at Well) All Sizes	1	50362
18	Temperature-Pressure Gauge	1	51324
19	Safety Relief Valve, 30 PSI, Conbraco 10-408-05	1	50501
	Safety Relief Valve, 50 PSI, Conbraco 10-418-10	1	51028
20	Flame Roll-Out Safety Shut-Off Switch	1	51587
21	Blocked Vent Shut-Off (Spill) Switch (230°F)	1	50041
22	Vent Damper – MI-e-03, MI-e-04	1	90612
	Vent Damper – MI-e-05, MI-e-06	1	90613
	Vent Damper – MI-e-07	1	90614
	Vent Damper – MI-e-08, MI-e-09	1	90615
23	Transformer, 40VA	1	50359
24	Limit Control - Hydrolevel HydroStat 4200	1	50360
0	Wire Harness, Vent Damper, 4 pin to 6 pin	1	X7132
0	Wire Harness, Low Voltage, 9 pin	1	X7137
0	Wire Harness, Line Voltage, 5 pin	1	X7138