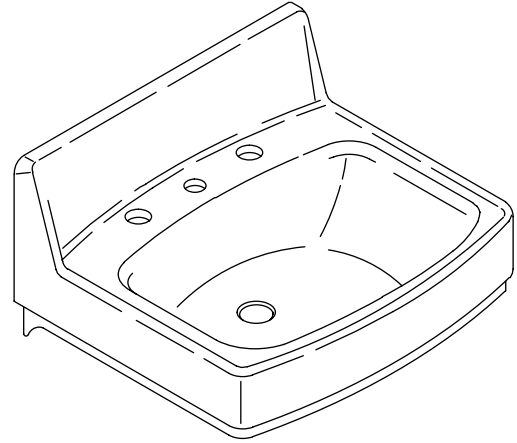


Features

- Vitreous china
- Wall-mount
- 8" (203 mm) centers
- Drilled for concealed arm carrier
- With hanger
- 4" (102 mm) centers
- With overflow or without overflow
- Optional soap dispenser hole on left (-L) or right (-R)
- 20-3/4" (527 mm) x 18-1/4" (464 mm)

WALL-MOUNT LAVATORY K-2030

ADA OBC



Codes/Standards Applicable

Specified model meets or exceeds the following:

- ADA
- ICC/ANSI A117.1
- OBC
- ASME A112.19.2/CSA B45.1

Colors/Finishes

- 0: White
- Other: Refer to Price Book for additional colors/finishes

Accessories

- CP: Polished Chrome

Specified Model

Model	Description	Colors/Finishes	
K-2030	8" (203 mm) centers lavatory, less soap dispenser hole	<input type="checkbox"/> 0	<input type="checkbox"/> Other_____
K-2030-L	8" (203 mm) centers lavatory with soap dispenser hole on left	<input type="checkbox"/> 0	<input type="checkbox"/> Other_____
K-2030-R	8" (203 mm) centers lavatory with soap dispenser hole on right	<input type="checkbox"/> 0	<input type="checkbox"/> Other_____
K-2030-N	8" (203 mm) centers, less overflow	<input type="checkbox"/> 0	<input type="checkbox"/> Other_____
K-2030-NL	8" (203 mm) centers lavatory with soap dispenser hole on left, less overflow	<input type="checkbox"/> 0	<input type="checkbox"/> Other_____
K-2030-NR	8" (203 mm) centers lavatory with soap dispenser hole on right, less overflow	<input type="checkbox"/> 0	<input type="checkbox"/> Other_____
Recommended Accessories			
K-8998	P-Trap	<input type="checkbox"/> CP	

Product Specification

The china wall-mount lavatory shall be made of vitreous china. Lavatory shall be 20-3/4" (527 mm) in length, and 18-1/4" (464 mm) in width. Lavatory shall be with overflow or without overflow. Lavatory shall be for 8" (203 mm) centers and drilled for a concealed arm carrier. Lavatory shall have hanger. Lavatory shall be available with optional soap dispenser hole on left (-L) or right (-R). Lavatory shall be Kohler Model K-2030-_____ or K-2030-_____-_____.

GREENWICH™

Technical Information

Fixture:*	
Basin area	15" (381 mm) x 10" (254 mm)
Water depth	3-1/4" (83 mm)
Drain hole	Ø 1-3/4" (44 mm)
Spout hole	Ø 1-3/8" (35 mm)
Faucet hole	Ø 1-3/8" (35 mm)
Soap dispenser hole	Ø 1-1/4" (32 mm)
* Approximate measurements for comparison only.	

Included components:	
Hanger	64839
Supplied hanger is not used with concealed arm carrier.	

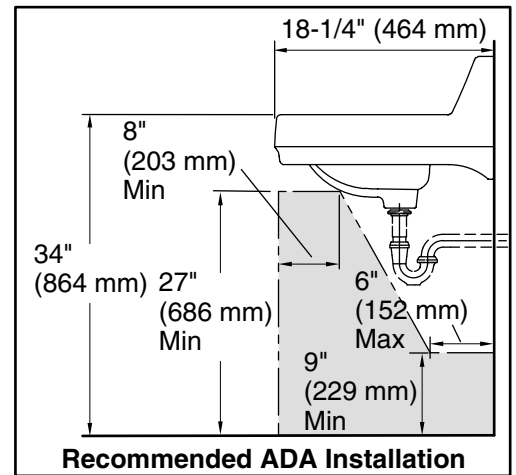
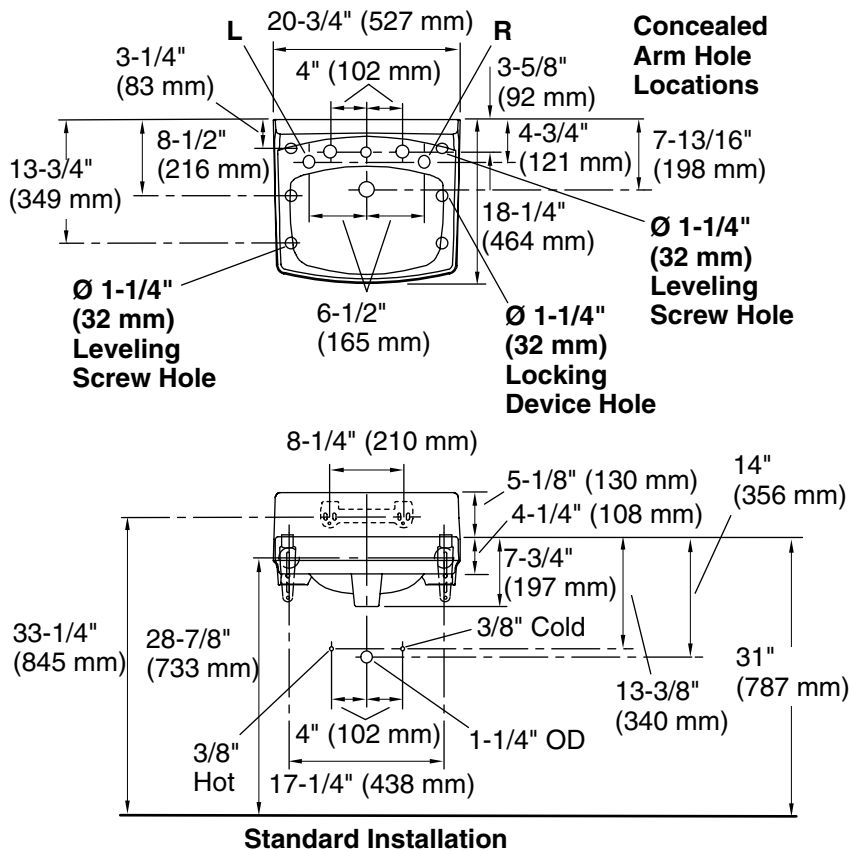
Installation Notes

Install this product according to the installation guide.

A concealed arm carrier is required. It is **NOT** supplied by Kohler.

Will comply with **ADA** when installed per section 606 Lavatories of the Act.

Will comply with **OBC** when installed per Clause 3.8.3.11.



Product Diagram