

Features

- Shift+® Square multifunction handshower offers full coverage and targeted massage spray options
- 8" (203 mm) Honesty® rainhead with a full coverage spray and an adjustable ball joint for precise spray adjustment
- 1.75 gpm (6.6 lpm) maximum flow rate
- Handshower contains flow-regulating check valve for backflow prevention
- Awaken® wall-mount supply elbow with check valve
- Right-angle shower arm and flange
- 27" (686 mm) sidebar length offers a custom shower at various heights
- Box includes: 8" rainhead, rainhead arm, handshower, 60" metal shower hose, adjustable sidebar with handshower mounting bracket, wall-mount supply elbow, and Rite-Temp valve trim
- Valve sold separately
- This product can help a building earn Water Efficiency points in LEED® Green Building Rating System

Material

- Premium material construction with metal handle ensures reliability and durability
- KOHLER finishes resist corrosion and tarnishing

Installation

- Wall-mount

Required Products/Accessories

K-11748 Series Rite-Temp® Valves

Included Components

K-10124 Right-angle Shower Arm and Flange
K-21336-G Square two-function handshower, 1.75 gpm
K-26148-G 8" single-function rainhead, 1.75 gpm
K-9514 60" Shower Hose
K-98341 27" sidebar
K-98351 wall-mount supply elbow with check valve
K-T99762-4 Rite-Temp® valve trim with push-button diverter



Codes/Standards

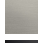

ASME A112.18.1/CSA B125.1
DOE - Energy Policy Act 1992
EPA WaterSense®
California Energy Commission (CEC)

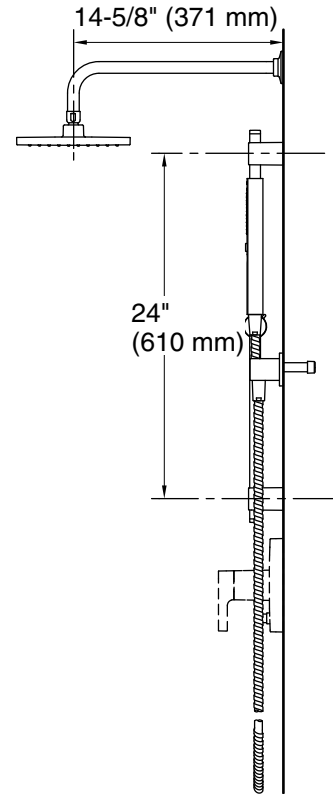
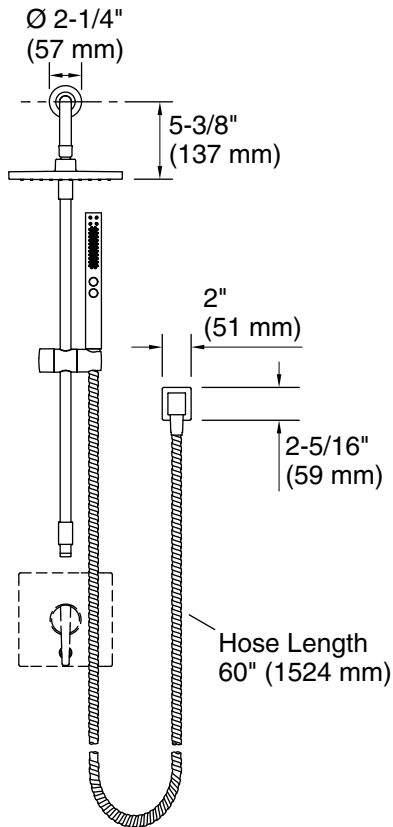
KOHLER® Faucet Lifetime Limited Warranty

See website for detailed warranty information.

Available Colors/Finishes

Color tiles intended for reference only.

| Color | Code | Description |
|---|------|-------------------------|
|  | CP | Polished Chrome |
|  | BN | Vibrant® Brushed Nickel |
|  | BL | Matte Black |



Technical Information

All product dimensions are nominal.

Spout:

Handshower rated max flow: 1.75 gal/min (6.6 l/min)

Shower/Rainhead rated max flow: 1.75 gal/min (6.6 l/min)

Notes

Install this product according to the installation instructions.