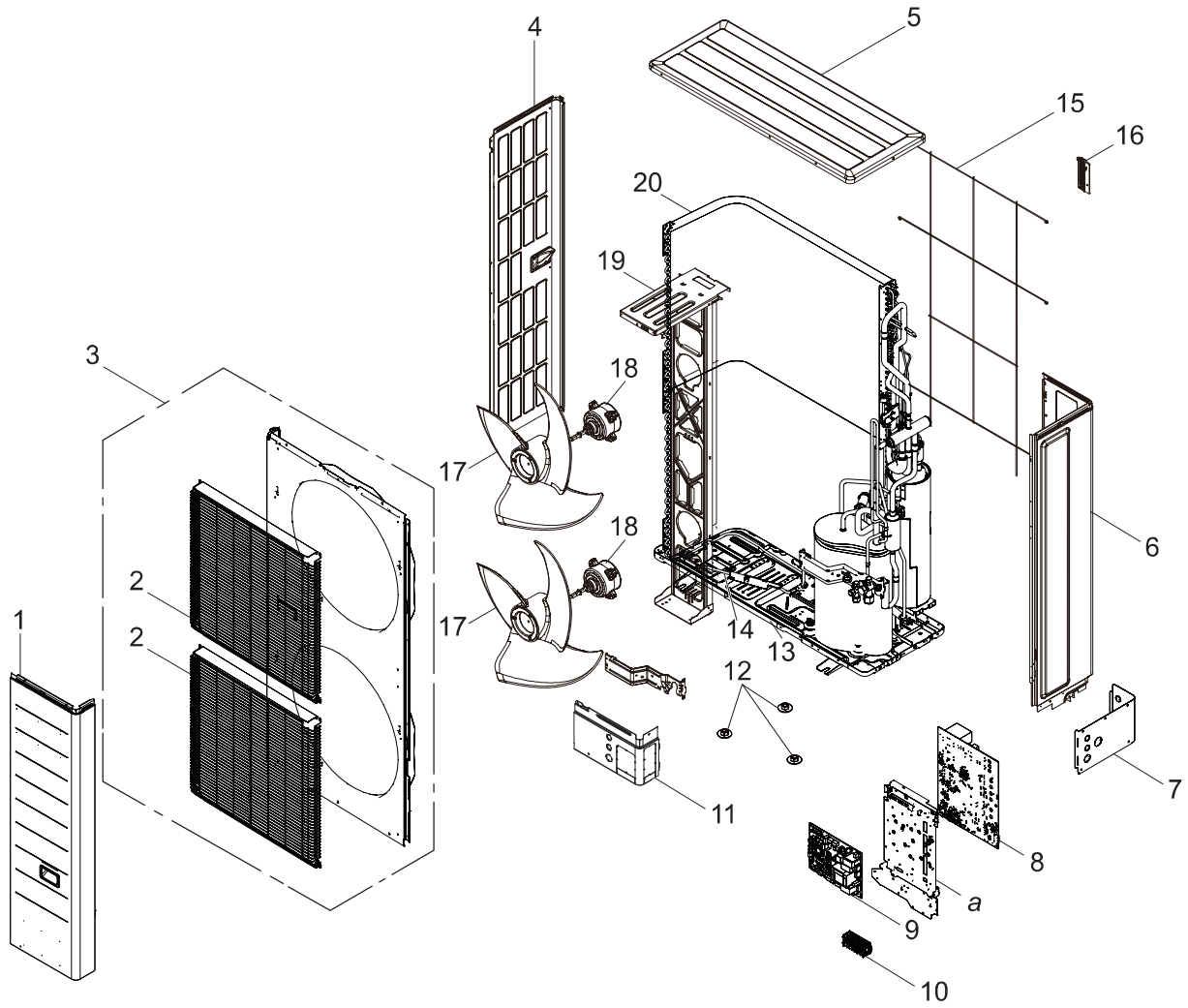


### 3-2. Models: AOUH36LMAH1 and AOUH48LMAH1

#### ■ Exterior parts and chassis

TECHNICAL DATA  
AND PARTS LIST

TECHNICAL DATA  
AND PARTS LIST

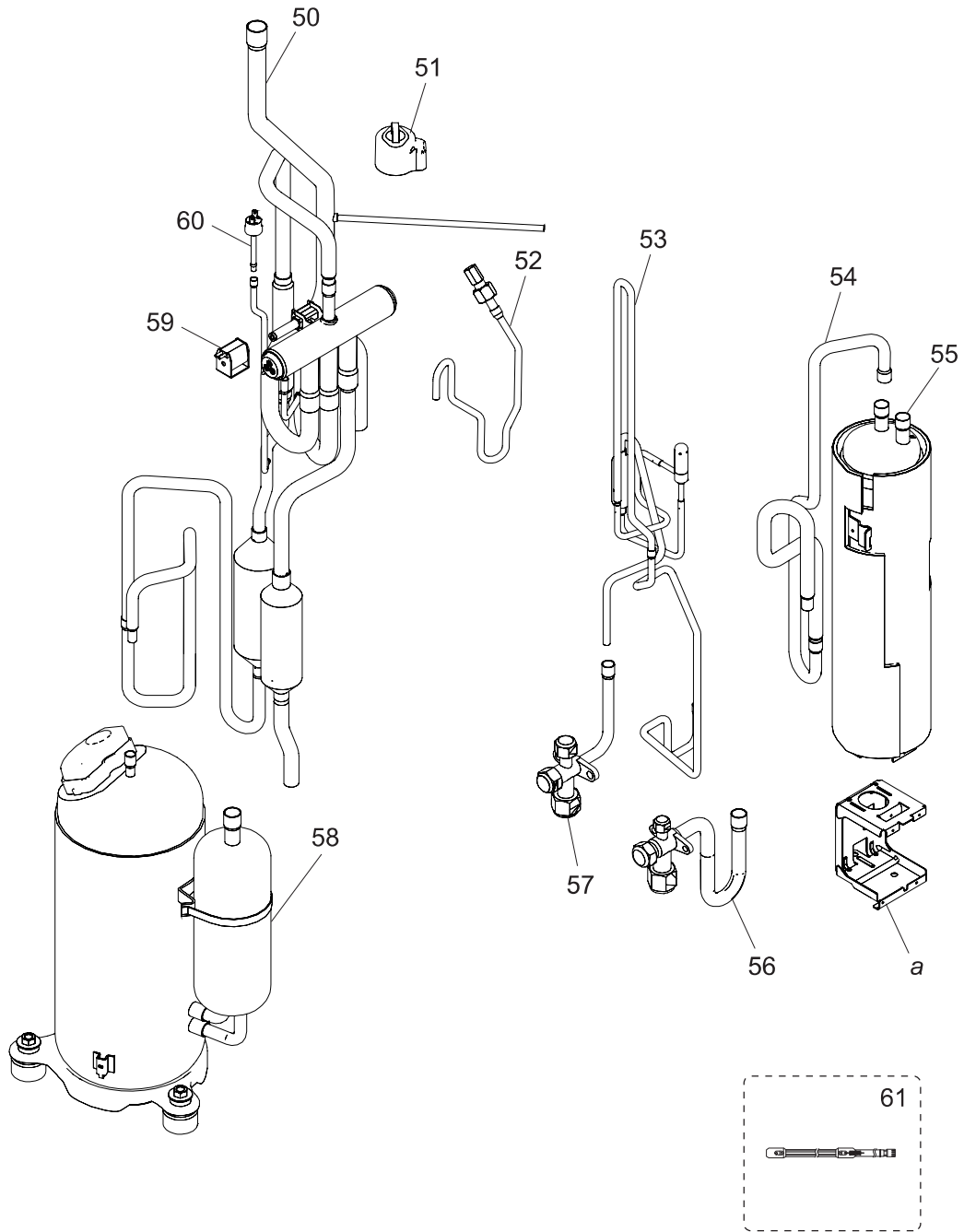


Item no.	Part no.	Part name	Service part
1	9380571148	Service panel sub assy	◆
2	9352749001	Fan guard	◆
3	9380569114	Front panel sub assy	◆
4	9380568001	Cabinet left sub assy	◆
5	9379416016	Top panel sub assy	◆
6	9380570028	Cabinet right sub assy	◆
7	9384171009	Pipe cover rear (for 36 models)	◆
	9384171016	Pipe cover rear (for 48 models)	◆
8	9709687215	Inverter PCB (service unit)	◆
9	9711230157	Main PCB (for 36 model)	◆
	9711230164	Main PCB (for 48 model)	◆
10	9900428167	Terminal	◆
11	9384170002	Pipe cover front	◆
12	9377973016	Special nut (M8)	◆
13	9379425193	Base sub assy	◆
14	9900919030	Heater (base)	◆
15	9378926042	Protective net	◆
16	9374177011	Thermo holder	◆
17	9379414005	Propeller fan	◆
18	9603794019	Motor,DC brushless	◆
19	9380566007	Motor bracket sub assy	◆
20	9380633037	Condenser sub assy	◆
—	9380477006	Label (FUJITSU)	◆
—	9380113027	Label (HALCYON)	◆
<i>a</i>	—	Control box unit	—

# Compressor

TECHNICAL DATA  
AND PARTS LIST

TECHNICAL DATA  
AND PARTS LIST



Item no.	Part no.	Part name	Service part
50	9374425730	4-way valve assy	◆
51	9970209000	Expansion valve coil	◆
52	9382230005	Fusible plug pipe assy	◆
53	9372514221	Suction pipe assy	◆
54	9372700099	Accumulator sub assy	◆
55	9378750388	Expansion valve total assy	◆
56	9315414045	3-way valve assy	◆
57	9381055005	3-way valve assy	◆
58	9374423514	Compressor sub assy	◆
59	9970110153	Solenoid	◆
60	9900186029	Pressure switch	◆
61	9901076060	Belt heater	◆
—	9380513018	Compressor cover	◆
—	9380516002	Compressor cover (Top)	◆
—	9901054013	Thermistor (Heat exchanger)	◆
—	9901031014	Thermistor (Heatsink)	◆
—	9900935078	Thermistor assy	◆
—	9900565107	Thermistor (Outdoor temp.)	◆
—	9900985028	Thermistor (Comp temp.)	◆
—	9711214010	Wire with connector (Pressure sw.[joint]—pressure sw.)	◆
—	9711213013	Wire with connector (P770—pressure sw.[joint])	◆
—	9711204004	Wire with connector (P661—P663)	◆
—	9711205018	Wire with connector (P350—P351)	◆
—	9711203007	Wire with connector (P660—P662)	◆
—	9711198037	Wire with connector (P108—terminal [1,2,3])	◆
—	9711212030	Wire with connector (PA650—fan motor 2)	◆
—	9711212023	Wire with connector (P650—fan motor 1)	◆
—	9900934064	Wire with connector (Fuse holder) (P55—base heater)	◆
—	9712019010	Wire with terminal (P103—terminal [L2])	◆
—	9711332035	Wire with terminal (P107—P201)	◆
—	9712019003	Wire with terminal (P102—terminal [L1])	◆
—	9711332028	Wire with terminal (P106—P200)	◆
—	9712103009	Wire with terminal (P400,P401,P402—COMP.)	◆
<i>a</i>	—	Installation plate (Accumulator)	—