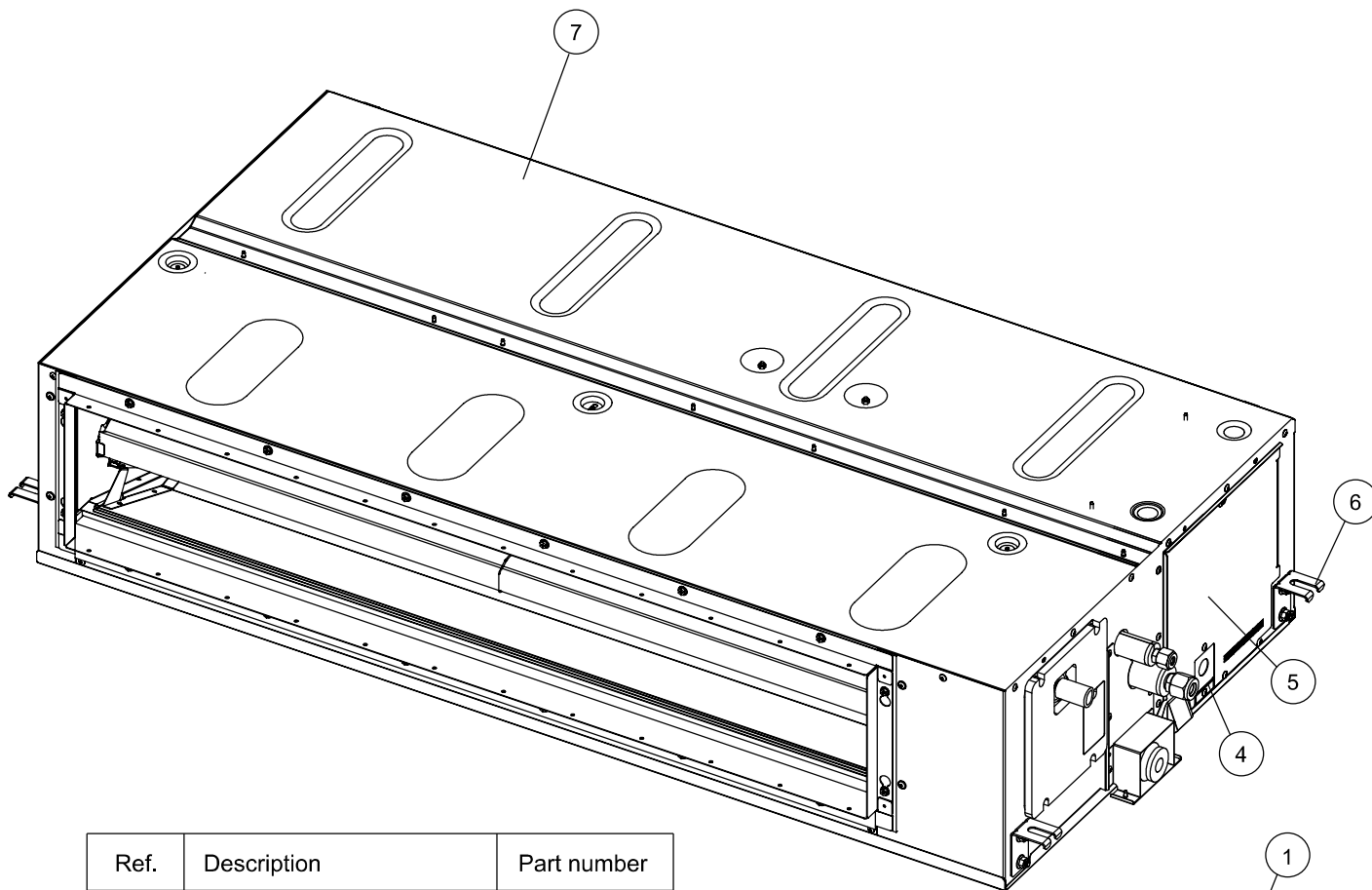
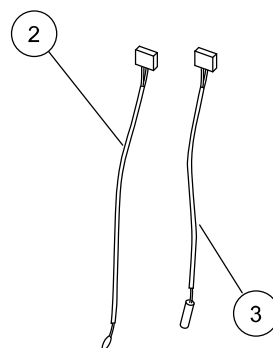
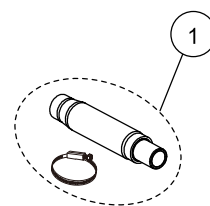


PARTS

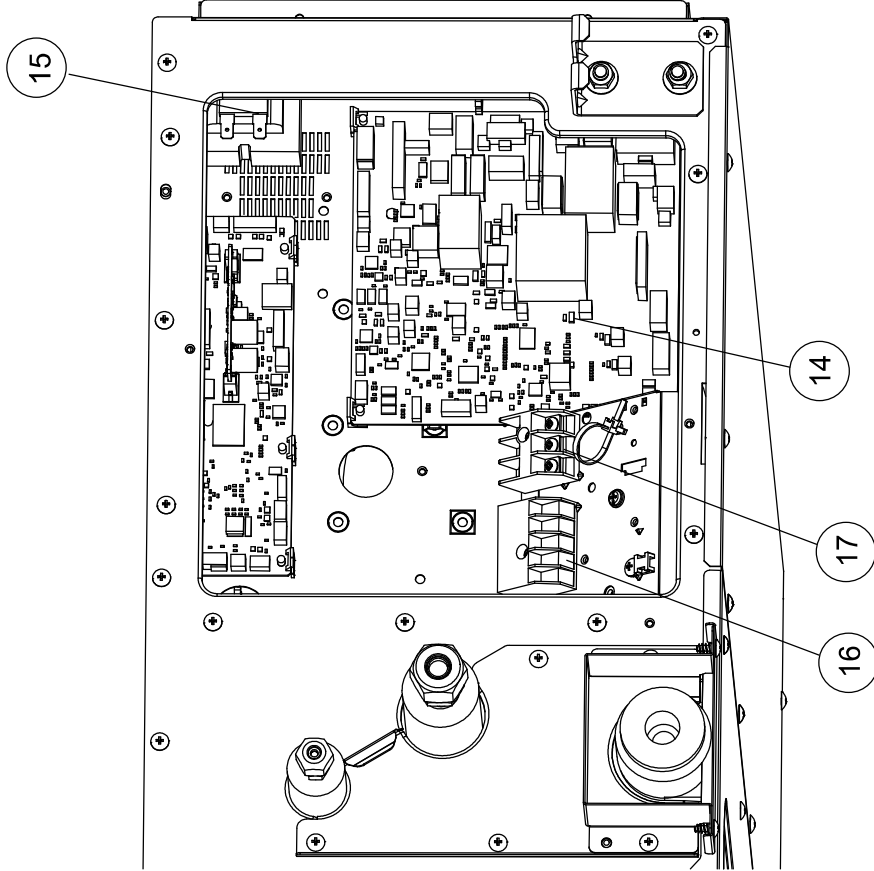
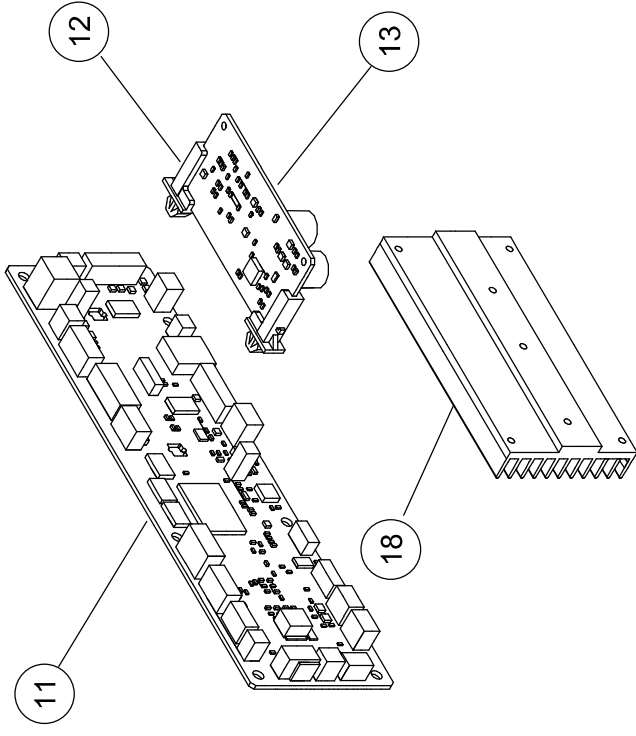
INDOOR UNIT
 ARU36RGLX
 ARU42RGLX
 ARU48RGLX



Ref.	Description	Part number
1	Hose sub assy	9378450219
2	Room thermistor	9703299278
3	Pipe thermistor	9900892005
4	Coduit plate	9383778001
5	Control box cover sub assy	9381769032
6	Hook metal	9372055007
7	Top panel sub assy	9381748099

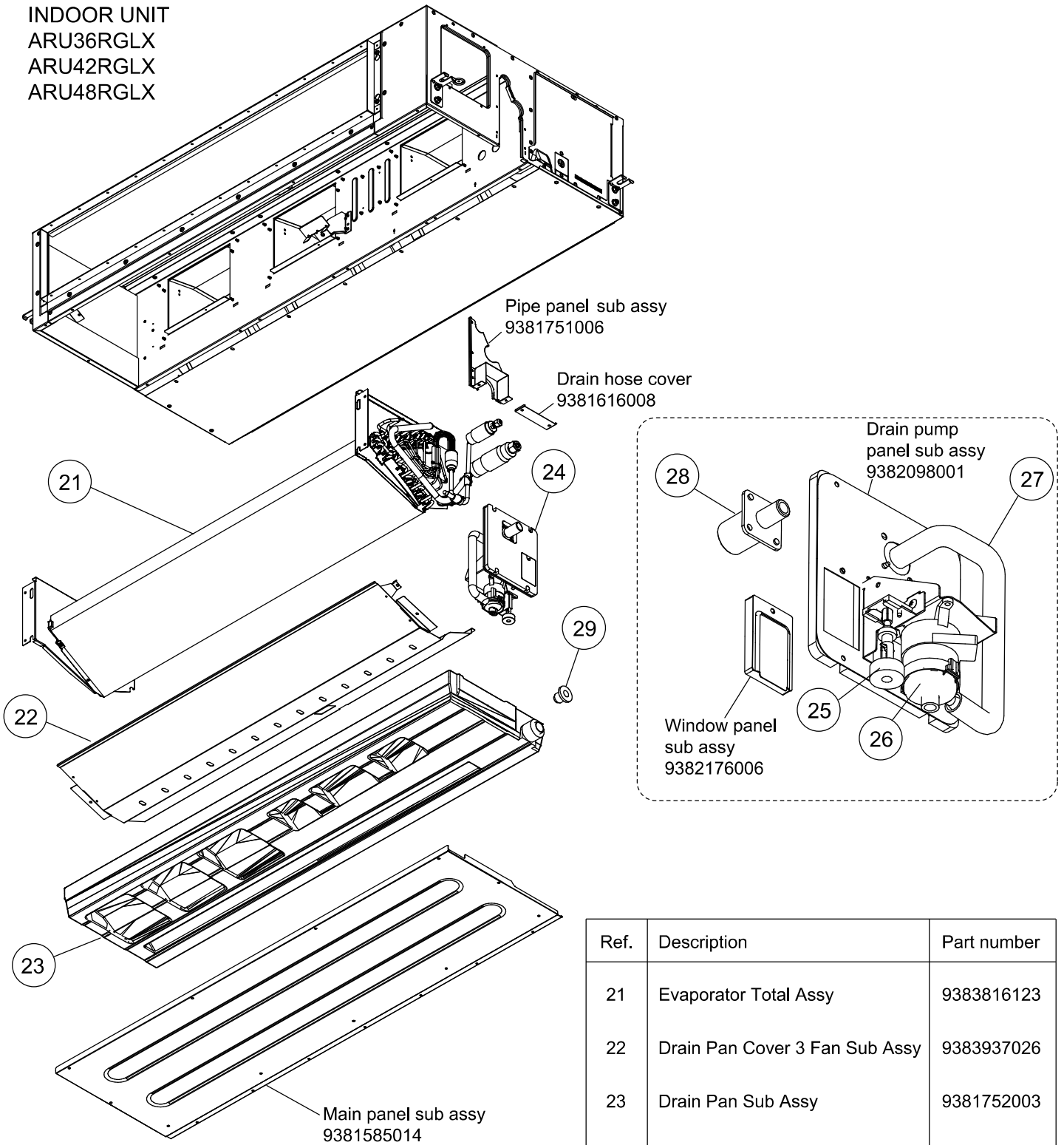


INDOOR UNIT
 ARU36RGLX
 ARU42RGLX
 ARU48RGLX



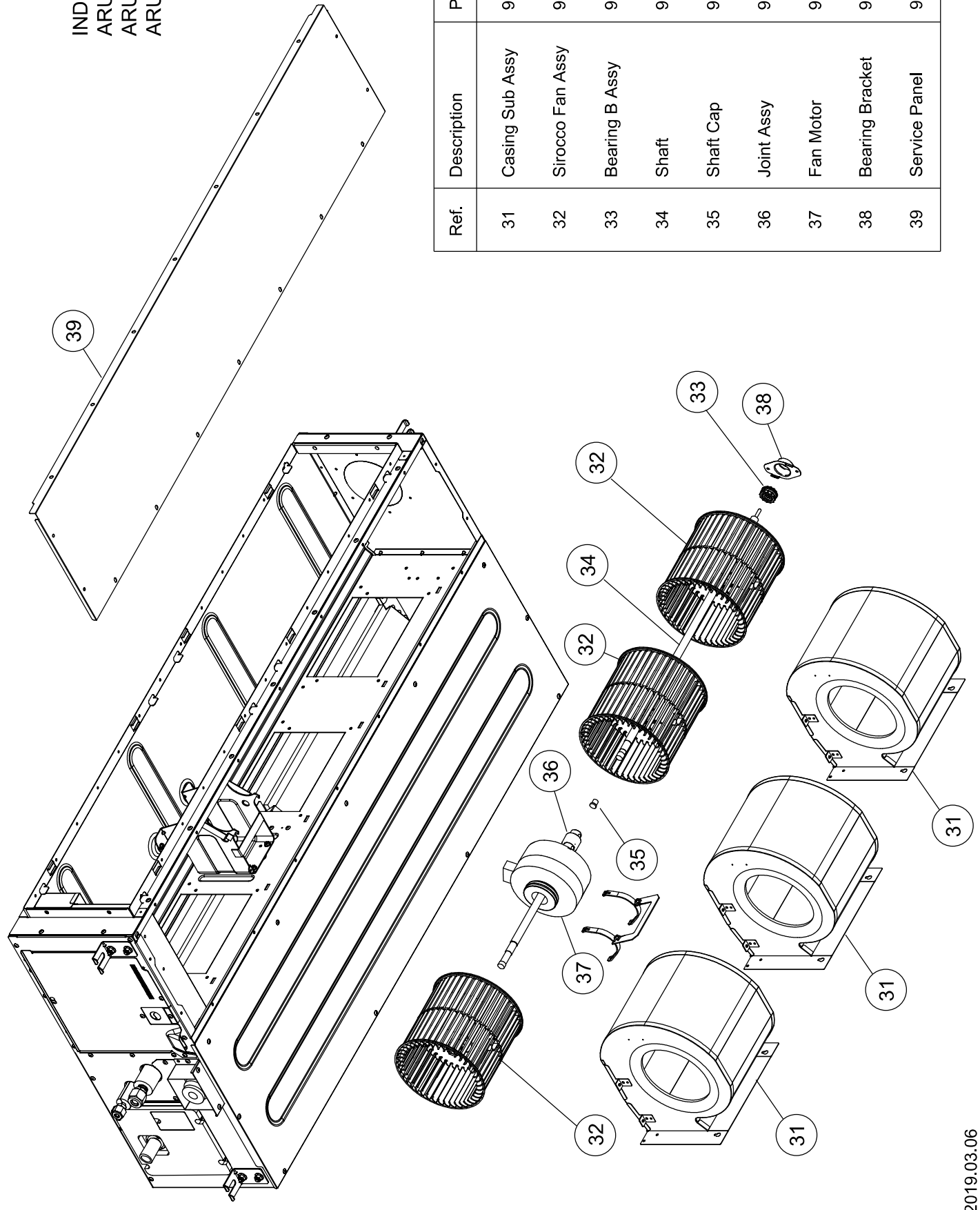
Ref.	Description	Part number
11	Main PCB (36)	9710995675
11	Main PCB (42)	9710995682
11	Main PCB (48)	9710995699
12	Holder	0600063023
13	Communication PCB	9710019005
14	Power Supply PCB	9710261084
15	Reactor Assy	9900898014
16	Terminal (Remote)	9900896003
17	Terminal (Power)	9900568009
18	Heatsink	9381518005

INDOOR UNIT
 ARU36RGLX
 ARU42RGLX
 ARU48RGLX



Ref.	Description	Part number
21	Evaporator Total Assy	9383816123
22	Drain Pan Cover 3 Fan Sub Assy	9383937026
23	Drain Pan Sub Assy	9381752003
24	Drain Pump Sub Assy	9381766017
25	Float switch	9900465070
26	Pump assy	9900890018
27	Drain Hose	9381576005
28	Drain Port	9381565009
29	Drain Cap	9381578009

INDOOR UNIT
 ARU36RGLX
 ARU42RGLX
 ARU48RGLX



Ref.	Description	Part number
31	Casing Sub Assy	9381829033
32	Sirocco Fan Assy	9383695001
33	Bearing B Assy	9357921006
34	Shaft	9380398028
35	Shaft Cap	9381814015
36	Joint Assy	9378038035
37	Fan Motor	9603480011
38	Bearing Bracket	9379615006
39	Service Panel	9381479009

INDOOR UNIT
 ARU36RGLX
 ARU42RGLX
 ARU48RGLX

