



Build With Purpose

# 33-LF Series No-Kink Hose Bibbs



## 33 Series Lead Free No-Kink Hose Bibbs

### FEATURES

- Made from lead free brass and certified to NSF 372
- ASSE 1011 certified for no-kink hose bibbs with internal vacuum breaker only
- Solid brass operating stem
- Large unobstructed waterways for greater flow rates
- Cast metal handle assembly with brass mounting screw
- Green standard handle with red or blue options
- EPDM seals for longer wear life
- Available with added built-in protection from internal vacuum breaker and backflow preventer
- FPT, MPT, and SWT inlet connections
- 3/4" garden hose connection outlet
- Solid brass fast-travel stem with ACME threads
- Each valve individually tested
- Angle of outlet prevents kinks in hose

### ORDERING

# 33.42LF-

Inlet

- 40- 1/2" FPT
- 42- 1/2" MPT x 1/2" SWT
- 43- 1/2" COMP
- 60- 3/4" FPT
- 62- 3/4" MPT
- 67- 1/2" SWT x 3/4" SWT

Handle Option

- None- Green
- B- Blue
- R- Red

Internal Vacuum Breaker Option

IVB- Internal Vacuum Breaker

4515 E. 139th Street Grandview, MO 64030 | (800) 362-9055 | PRIER.com

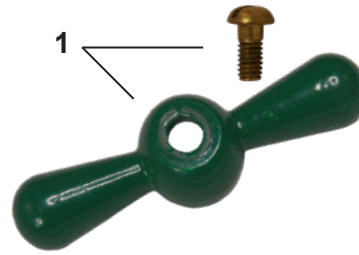
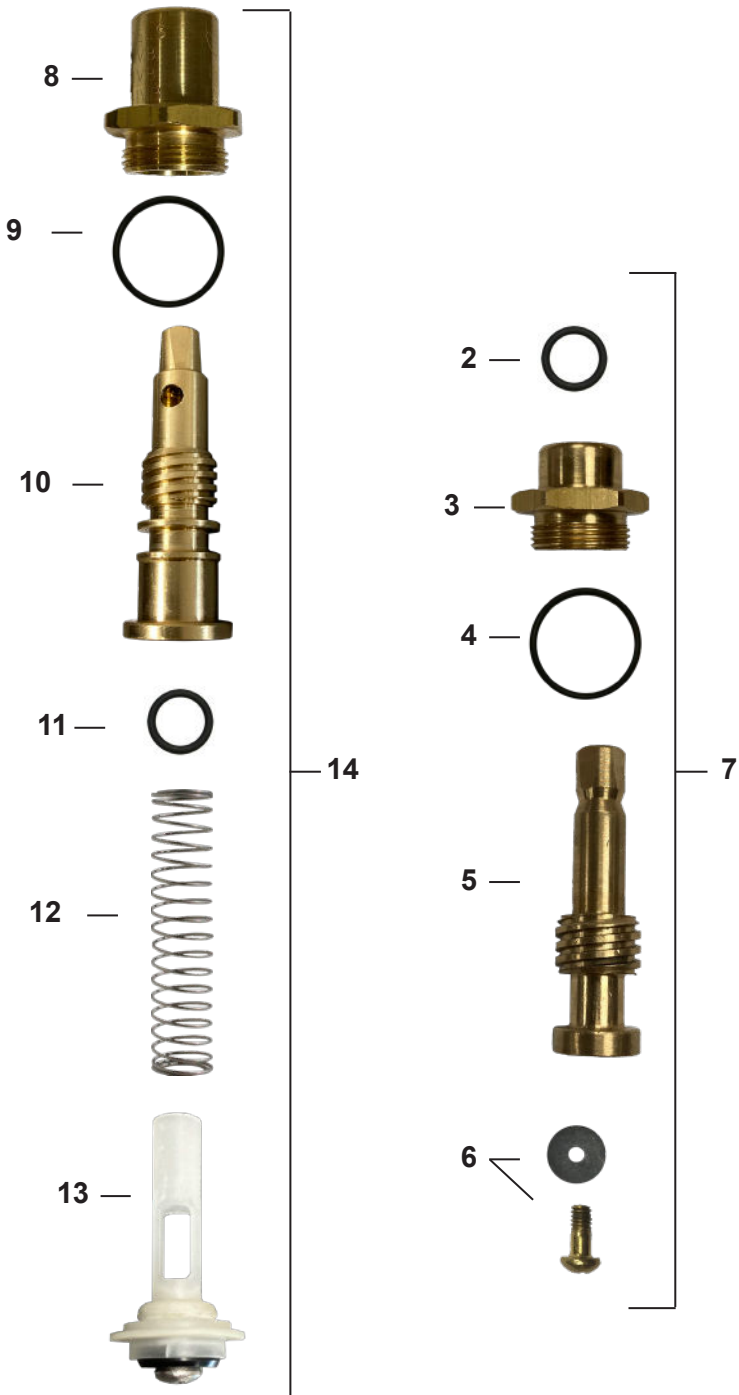
\*Per ASSE 1011 Code, it is not recommended to leave on for more than 12 continuous hours.

33-LF-C



Build With Purpose

# 33-LF SERIES REPLACEMENT PARTS



ID	Part No.	Description
1	630-0046	T-Handle and Screw Kit
2	336-0036	O-Ring
3	310-3117	Valve Stem Cap
4	936-3003	O-Ring
5	310-3019	Stem Body
6	630-0049	Bibb Washer and Screw Kit
7	231-3301	Stem Assembly Complete
8	310-3118	IVB Stem Cap
9	936-3003	O-Ring
10	310-3120	IVB Stem Body
11	310-0037	IVB Stem O-Ring
12	324-3100	IVB Spring
13	232-0002	Poppet Assembly
14	231-3302	IVB Stem Assemble Complete
	630-0052	Service Kit for Brass Sillcocks, Contains: 1, 2, 4, 6
	630-0053	Service Kit for IVB Small Valves, Contains: 1, 9, 11, 12, 13

