



Features

- 3-1/8" (79 mm) threshold
- Tongue-and-groove modular design allows for easy installation during any phase of construction
- Smooth wall design with molded-in shelves and shaving ledges
- Easy-to-clean, durable high-gloss finish

Material

- Compression molded from our exclusive solid Vikrell® material

Installation

- Alcove
- Center drain
- Caulk-free installation

Recommended Products/Accessories

- 1500D-36 Framed pivot shower door
- 80001012 12" straight grab bar
- 80001018 18" straight grab bar
- 80001024 24" straight grab bar
- K-23726 Drain treatment
- K-23733 Vikrell® cleaner

Included Components

- 72301100 36" x 34" Vikrell® shower base, center drain
- 72402100 36" Vikrell® shower back wall
- 72405100 34" Vikrell® shower end wall set



Codes/Standards

- CSA B45.5/IAPMO Z124
- ASTM E162
- ASTM E662
- HUD, UM Bulletin 73
- IAPMO Certification

STERLING® Vikrell® or Acrylic Baths and Shower Bases Ten-Year Limited Warranty

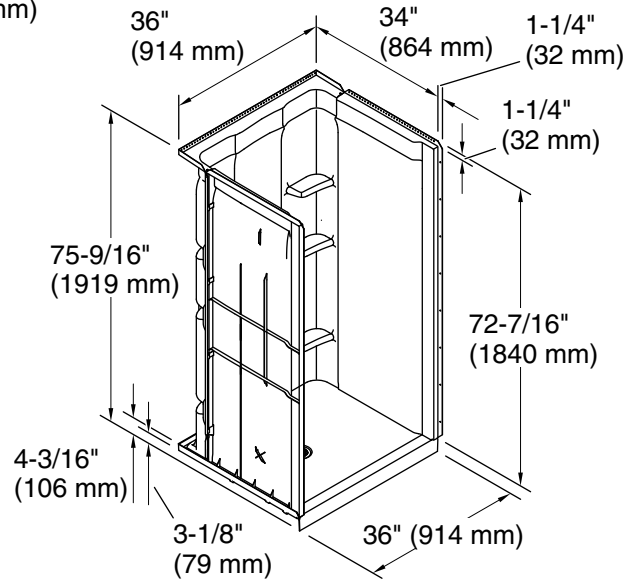
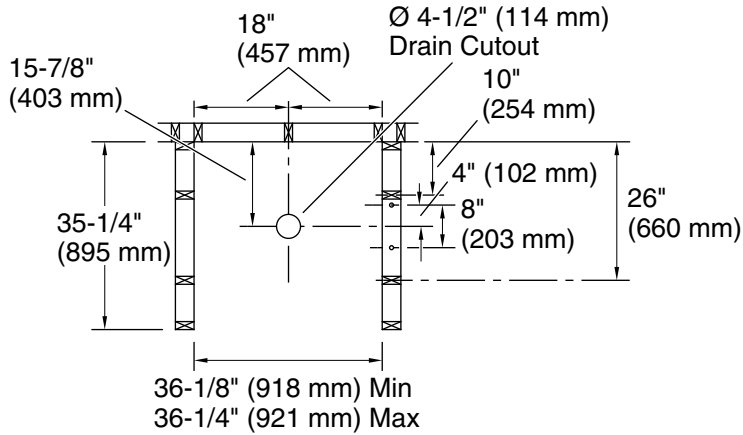
See website for detailed warranty information.

Available Colors/Finishes

Color tiles intended for reference only.

Color Code Description

| | | |
|---|---|-------|
|  | 0 | White |
|---|---|-------|



Technical Information

All product dimensions are nominal.

| | |
|----------------------|------------------------------------|
| Drain location: | Center |
| Weight: | 94 lbs (42.6 kg) |
| Maximum door height: | $70\text{-}3/4\text{'' (1797 mm)}$ |
| Maximum door width: | $33\text{-}5/8\text{'' (854 mm)}$ |

Notes

Install this product according to the installation instructions.

Studs should be positioned roughly as shown.