

Features

- Metal construction.
- Brass valve bodies.
- ADA compliant metal lever handles.
- For 8" (203 mm) or 16" (406 mm) centers.
- Pop-up drain with lift rod and tailpiece.
- 4-7/8" (124 mm) spout reach.
- Quarter-turn washerless ceramic disc valves.
- 1.5 gal/min (5.7 l/min) maximum flow rate [max at 60 psi (4.14 bar)].



For complete listing of available colors, go to kohler.com.



ADA

Codes/Standards

ASME A112.18.1/CSA B125.1

NSF 61

NSF 372

ADA

ICC/ANSI A117.1

DOE - Energy Policy Act 1992

EPA WaterSense®

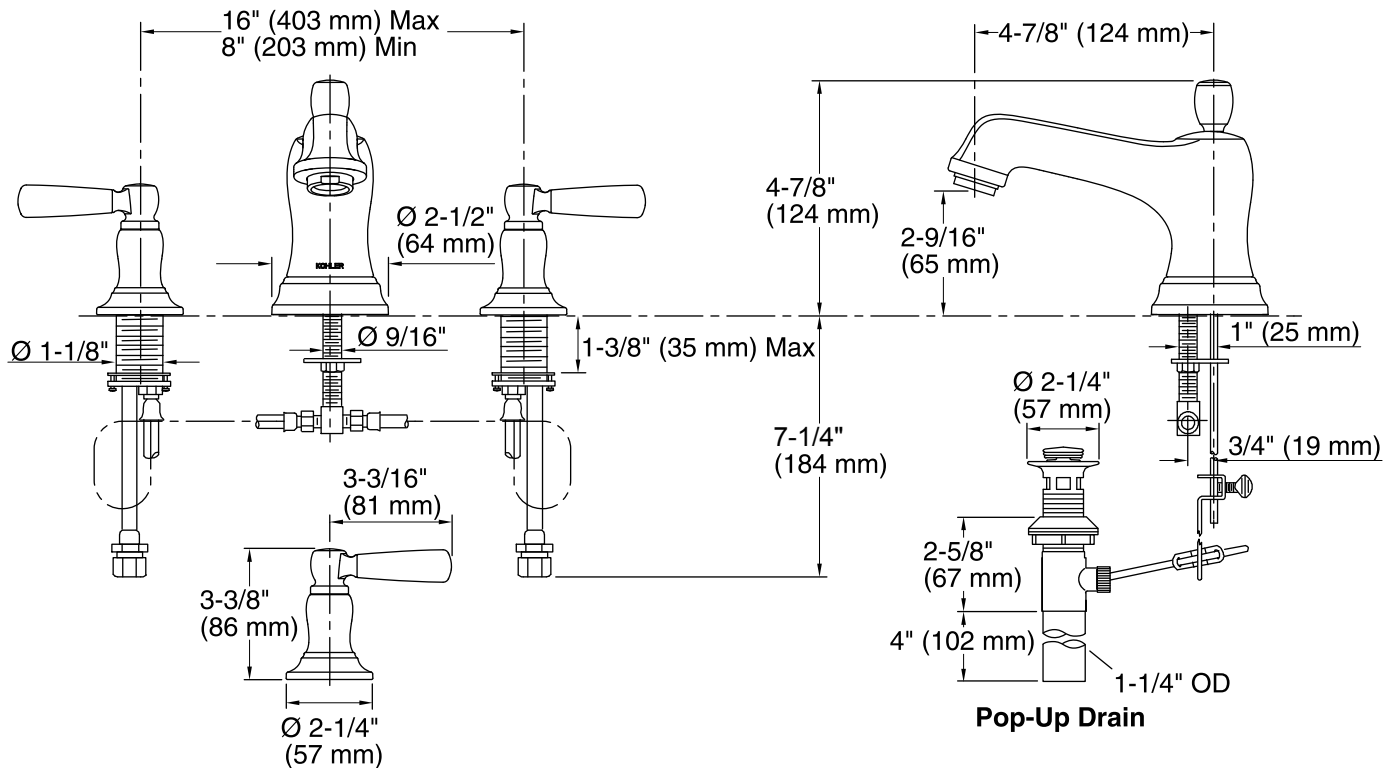
All applicable US Federal and State material regulations

KOHLER® Faucet Lifetime Limited Warranty

See website for detailed warranty information.

Product Specification

Bathroom sink faucet shall be 4-7/8" (124 mm) spout reach 2-9/16" (65 mm) spout outlet height. Bathroom sink faucet shall be metal construction with brass valve bodies. Bathroom sink faucet shall be lever handles. Bathroom sink faucet shall be pop-up drain with lift rod and tailpiece. Bathroom sink faucet shall be for 8" (203 mm) or 16" (406 mm) centers. Bathroom sink faucet shall be KOHLER Model K-10577-4.



Technical Information

All measurements are nominal.

Spout reach: 4-7/8" (124 mm)

Drain included: YES

Drain tailpiece included: YES

Faucet:

Flow rate: 1.5 gal/min (5.7 l/min)

Pressure: 60 psi (4.1 bar)

Installation Notes

Install this product according to the installation guide.

ADA compliant when installed to the specific requirements of these regulations.