

VITODENS 200-W

Vitodens 200-W	B2HA 112	B2HA 150	
	7533 371	7533 372	
	7533 380	7533 382	

General Info	Price List Section:		
	Parts Catalog Section:	10	
	Series Name:	B2HA	
	Applies to serial nos. beginning with:	7510835...	7510836...
	As at:	02/13/2014	

Parts List

Please refer to: Parts List
Pos. Description

Part Numbers / Price Categories

Parts for Main Enclosure Assembly

0001	Cover Panel, boiler	7836 997 ⁴²	7836 997 ⁴²		
0002	Ctrl Housing	7833 854 ¹⁴	7833 854 ¹⁴		
0003	Mounting Rail, left	7836 183 ¹¹	7836 183 ¹¹		
0004	Mounting Rail, right	7836 184 ¹¹	7836 184 ¹¹		
0005	Cover Panel, electronics	7839 830 ³⁰	7839 830 ³⁰		
0006	Support Bracket, left	7839 833 ¹²	7839 833 ¹²		
0007	Support Bracket, right	7839 832 ¹²	7839 832 ¹²		
0008	Cover Panel, interior	7836 995 ¹⁴	7836 995 ¹⁴		
0009	Mounting Clip (Set of 2)	7817 500 ³	7817 500 ³		
0010	Nameplate "Viessmann"	7839 162 ⁹	7839 162 ⁹		
0011	Electrical Box	7839 668 ¹⁶	7839 668 ¹⁶		
0012	Electrical Box Cover	7839 669 ¹⁰	7839 669 ¹⁰		
0013	Support Brkt, Pnl (Set of 2)	7839 829 ¹¹	7839 829 ¹¹		
0014	Grommet (P-Trap)	7836 459 ⁸	7836 459 ⁸		
0015	Wall-Mount Bracket	7836 988 ¹⁶	7836 988 ¹⁶		

Parts (not illustrated)

0301	Touch-UP Spray Paint "Vitowhite"	7822 681 ⁹	7822 681 ⁹		
0302	Touch-UP Paint Stick "Vitowhite"	7822 682 ⁵	7822 682 ⁵		
0303	Lubricant 6g	7819 602 ⁵	7819 602 ⁵		

Parts for Pressure Vessel Assembly

0001	Heat Exchanger Assly, ASME	7839 842 ¹⁴⁵	7839 842 ¹⁴⁵		
0002 W	Gas Valve CES, 120/1/60	7839 824 ⁴²	7839 824 ⁴²		
0004	Vent Pipe Adaptor 110/150	7835 050 ¹⁶	7835 050 ¹⁶		
0005	Sensor (flue gas)	7839 630 ¹²	7839 630 ¹²		
0006	Comb.Ch.Refr.	7836 991 ²⁹	7836 991 ²⁹		
0007	Gasket (Air Intake) D = 150mm	7818 559 ⁹	7818 559 ⁹		
0008	Gasket (Flue Gas), DN110	7826 553 ⁷	7826 553 ⁷		
0009	Conn.Flange w Gas Ball Vlv.	7839 828 ²⁸	7839 828 ²⁸		
0010	Grommet (Flue Gas), DN110	7817 688 ⁵	7817 688 ⁵		
0011	Test Port Cap (Set of 2)	7822 742 ⁶	7822 742 ⁶		
0012	P-Trap	7828 796 ⁹	7828 796 ⁹		
0013	Condensate Drain Kit	7836 593 ¹⁷	7836 593 ¹⁷		
0014	Flex Pipe (gas)	7839 914 ¹³	7839 914 ¹³		
0015	Gas Connection Pipe	7835 171 ²⁶	7835 171 ²⁶		
0016	Condensate Hose	7827 917 ⁸	7827 917 ⁸		
0017	Gasket A32x44x2 (Set of 5)	7839 823 ⁷	7839 823 ⁷		
0018	Gasket 1" (Set of 5)	7835 174 ⁹	7835 174 ⁹		
0019	Gasket 1¼" (Set of 5)	7835 225 ⁶	7835 225 ⁶		continued

VITODENS 200-W

Vitodens 200-W	B2HA 112	B2HA 150	
	7533 371	7533 372	
	7533 380	7533 382	

General Info	Price List Section:		
	Parts Catalog Section:	10	
	Series Name:	B2HA	
	Applies to serial nos. beginning with:	7510835...	7510836...
	As at:	02/13/2014	

Parts List

Please refer to: Parts List
Pos. Description

Part Numbers / Price Categories

Parts for Burner Assembly

0001	Burner Gasket D = 408	7835 164 ¹⁶	7835 164 ¹⁶		
0002	Comb.Ch.Dr.Refr.	7839 912 ¹⁸	7839 912 ¹⁸		
0003	Burner Tube, NG/LP	7835 170 ⁵⁴	7835 170 ⁵⁴		
0004	Gasket (Burner Tube)	7826 524 ⁶	7826 524 ⁶		
0005	Burner Mounting Flng Assly	7839 911 ⁴⁷	7839 911 ⁴⁷		
0006 W	Radial Fan NRG137	7839 819 ⁵³	7839 819 ⁵³		
0007 W	Ionization Electrode w Gskt	7835 169 ¹²	7835 169 ¹²		
0008 W	Ignition Electrode w Gskt	7836 815 ¹²	7836 815 ¹²		
0009	Gasket (Ignition Electrode)	7827 025 ⁶	7827 025 ⁶		
0010	Gasket (Ioniz. Electrode)	7827 031 ⁶	7827 031 ⁶		
0011	Flapper	7835 168 ¹⁰	7835 168 ¹⁰		
0012	Bracket (Set of 6)	7839 913 ⁹	7839 913 ⁹		
0013 W	Ignition Module	7839 612 ¹³	7839 612 ¹³		

Parts for Control Assembly

0001	Control Console	7838 558 ⁵¹	7838 558 ⁵¹		
0002	Ctrl Housing, Rear	7841 005 ¹⁸	7841 005 ¹⁸		
0003	Coding Plug	7841 451 ⁸	7841 162 ⁸		
0004 W	Fuse, 6.3A/250V (Pkg of 10)	7404 365 ⁶	7404 365 ⁶		
0005	Fuse Holder	7823 502 ⁴	7823 502 ⁴		
0007	Vitotronic 200 HO1B	7839 479 ⁴³	7839 479 ⁴³		
0008	Communication Module (LON) HO1	7179 113 ³³	7179 113 ³³		
0009	Circuit Board (LON Module Adaptor)	7823 033 ¹⁰	7823 033 ¹⁰		
0010	Cable Harness X8/X9/Ioniz.	7839 497 ¹⁷	7839 497 ¹⁷		
0011	Cable Harness 100/35/54/PE	7839 493 ¹²	7839 493 ¹²		
0012	Cable Harness GDW1/GDW2	7839 492 ¹⁰	7839 492 ¹⁰		
0013	Counter Plug Neptune	7837 898 ¹²	7837 898 ¹²		
0014	Strain Relief (Set of 10)	7823 516 ⁶	7823 516 ⁶		
0015	Locking Assly (left/right)	7831 618 ¹³	7831 618 ¹³		
0016	Sensor, (outdoor) NTC	7837 053 ²¹	7837 053 ²¹		
0017	Circuit Board (exp. functions)	7509 610 ¹⁶	7509 610 ¹⁶		
0020	Power/Pump Ctrl Module	7839 389 ³²	7839 389 ³²		
0021	Extension Module EA1, 120/1/60	7509 475 ²⁵	7509 475 ²⁵		
0022 W	Fuse, 2.0A/250V (Pkg of 10)	7404 363 ⁶	7404 363 ⁶		
0023	Harness Set, PPC Module	7839 397 ¹⁷	7839 397 ¹⁷		

Parts for Hydronic Assembly

0001	Clip D=8 (Set of 5)	7827 943 ⁶	7827 943 ⁶		
0002 W	Sensor #3 (Boiler, Set of 2)	7835 112 ¹³	7835 112 ¹³		
0003	Press. Gage (PSI) w clip/gsk	7839 764 ¹¹	7839 764 ¹¹		
0004 W	Flow Sensor	7835 114 ²⁹	7835 114 ²⁹		continued

VITODENS 200-W

Vitodens 200-W	B2HA 112	B2HA 150	
	7533 371	7533 372	
	7533 380	7533 382	

General Info	Price List Section:	
	Parts Catalog Section:	10
	Series Name:	B2HA
	Applies to serial nos. beginning with:	7510835... 7510836...
	As at:	02/13/2014

Parts List

Please refer to: Parts List
 Pos. Description

Part Numbers / Price Categories

Parts for Installation Set

Pos.	Description	Part Numbers	Price Categories
0300	Installation Set, B2HA 112-150	7529 680 ²²	7529 680 ²²
0301	Nipple, 3/4" x 1 1/2" Short BLK	9543 294 ⁴	9543 294 ⁴
0302	Sediment Faucet, 3/4" NPT	9542 942 ⁵	9542 942 ⁵
0303	Tee, 3/4" BMI	9544 337 ⁴	9544 337 ⁴
0304	Nipple, 3/4" x 5 1/2" BMI	9560 931 ⁵	9560 931 ⁵
0305	Red.Tee, 2 x 2 x 3/4"	9560 933 ⁸	9560 933 ⁸
0306	Gas Ball Valve, 1"	7424 391 ⁷	7424 391 ⁷
0307	Coupling, 2"	9647 465 ^{n.a.}	9647 465 ^{n.a.}
0308	Nipple, 2 x 2 1/2"	9638 011 ⁴	9638 011 ⁴
0309	Access. Pack (Mtl.Stud Mt.Kit)	7134 206 ⁵	7134 206 ⁵
0310	Access. Pack (Venting Fasteners)	7455 794 ⁸	7455 794 ⁸
0311	Sensor, (outdoor) NTC	7508 904 ¹¹	7508 904 ¹¹
0312	Pr.Rel Valve, 3/4" (FF) 30PSI Conbraco	9542 940 ⁸	9542 940 ⁸
0313	Pr.Rel Valve, 3/4" x 3/4" 45PSI Conbraco	9549 944 ¹¹	9549 944 ¹¹
0314	Pr.Rel Valve, 3/4" x 3/4" 60PSI Conbraco	9560 183 ¹¹	9560 183 ¹¹
0315	Pr.Rel Valve, 3/4" x 3/4" 80PSI Conbraco	9647 464 ¹²	9647 464 ¹²
0316	Keychain w Air Bleed Key	9561 042 ⁴	9561 042 ⁴
0320	Technical Literature Set	7529 677 ^L	7529 677 ^L
0321	Installation Instructions	5683 709 ^L	5683 709 ^L
0322	Service Instructions	5683 710 ^L	5683 710 ^L
0323	Operating Instructions	5683 712 ^L	5683 712 ^L
0324	Parts List B2HA 112/150	5683 711 ^L	5683 711 ^L
0325	Parts List B2HA inst.set	5774 184 ^L	5774 184 ^L
0330	Install. Instr. Vent.Sys (Coax) 2013	5774 552 ^L	5774 552 ^L
0331	Install. Instr. Vent.Sys (Flex) 2013	5774 554 ^L	5774 554 ^L
0340	Warranty Sheet Condensing, Resid v2	5348 723 ^L	5348 723 ^L

Notes:

"n.a." indicates not applicable.

"W" indicates wearing part (service).

"L" indicates literature (no charge).

"Kit" or "Other" indicates that this is not a Price Category item; contact Inside Sales for pricing.

Parts List



VITODENS 200-W B2HA Series

Model No.	Serial No.
B2HA 112 Boiler	7510835□□□□□□□□
B2HA 150 Boiler	7510836□□□□□□□□

Ordering Parts:

Please provide Model and Serial Number (A) when ordering replacement parts. Order replacement components from your Viessmann distributor.

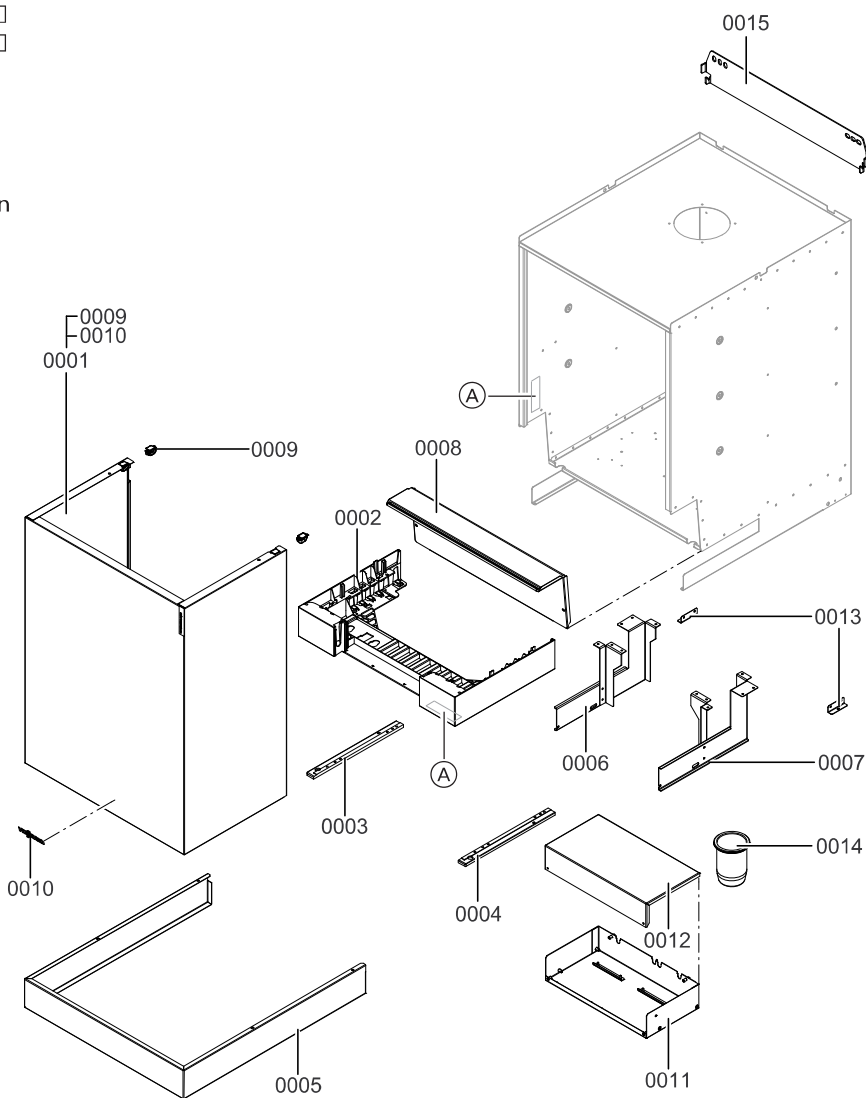
Parts for Main Enclosure Assembly

- 0001 Cover panel
- 0002 Control housing
- 0003 Mounting rail, left
- 0004 Mounting rail, right
- 0005 Cover panel for electronics
- 0006 Support bracket, left
- 0007 Support bracket, right
- 0008 Cover panel, interior
- 0009 Mounting clip (Set of 2)
- 0010 Nameplate
- 0011 Electrical box
- 0012 Electrical box cover
- 0013 Support bracket for panel
- 0014 Grommet for p-trap
- 0015 Wall-mount bracket

Other Parts (not illustrated)

- 0300 Installation Set **
- 0301 Touch-up spray paint "Vitowhite"
- 0302 Touch-up paint stick "Vitowhite"
- 0303 Lubricant 6g
- 0320 Technical Literature Set
- 0321 Installation Instructions
- 0322 Service Instructions
- 0323 Operating Instructions
- 0324 Parts List for Vitodens 200-W
- 0325 Parts List for Installation Set
- 0330 Installation Instructions, Coaxial Venting
- 0331 Installation Instructions, Flex Venting
- 0340 Warranty Sheet, Condensing

** For Installation Set please see separate Parts List.



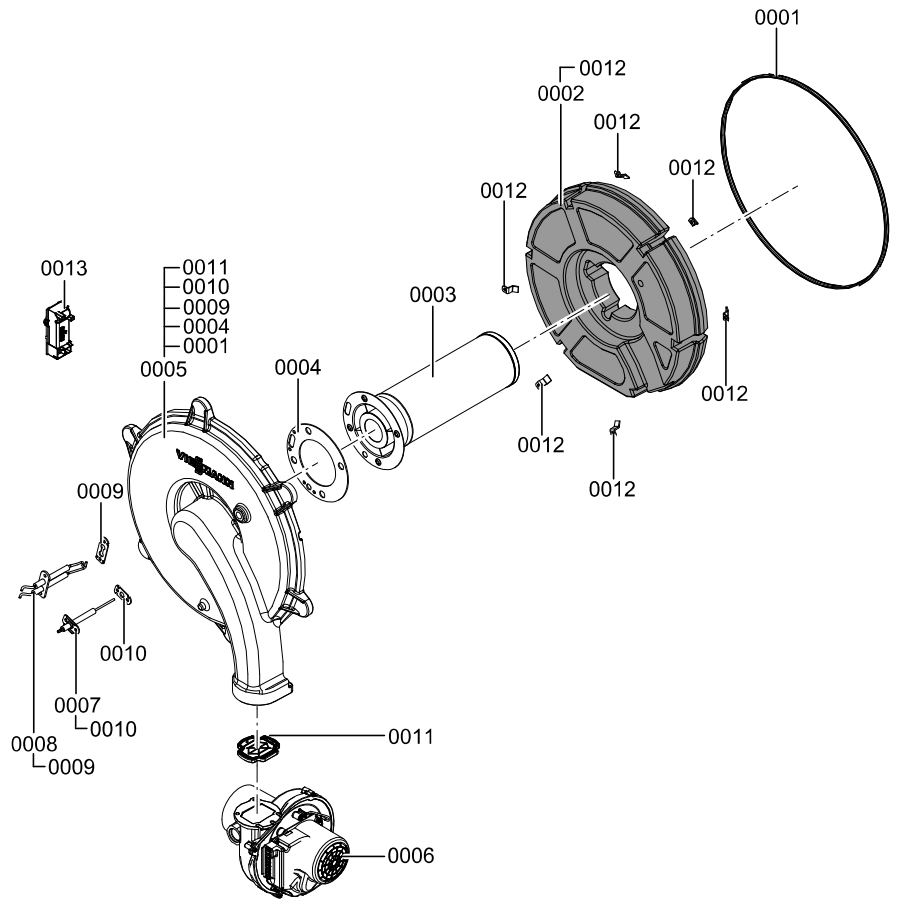
VITODENS 200-W

B2HA Series

Model No.	Serial No.
B2HA 112 Boiler	7510835□□□□□□□□
B2HA 150 Boiler	7510836□□□□□□□□

Parts for Burner Assembly

- 0001 Burner gasket, D = 408mm
- 0002 Combustion chamber door refractory
- 0003 Burner tube, NG/LP
- 0004 Gasket for burner tube
- 0005 Burner mounting flange assembly
- 0006 Radial fan, NRG137
- 0007 Ionization electrode with gasket
- 0008 Ignition electrode with gasket
- 0009 Gasket for ignition electrode
- 0010 Gasket for ionization electrode
- 0011 Flapper
- 0012 Bracket
(Set of 6)
- 0013 Ignition Module



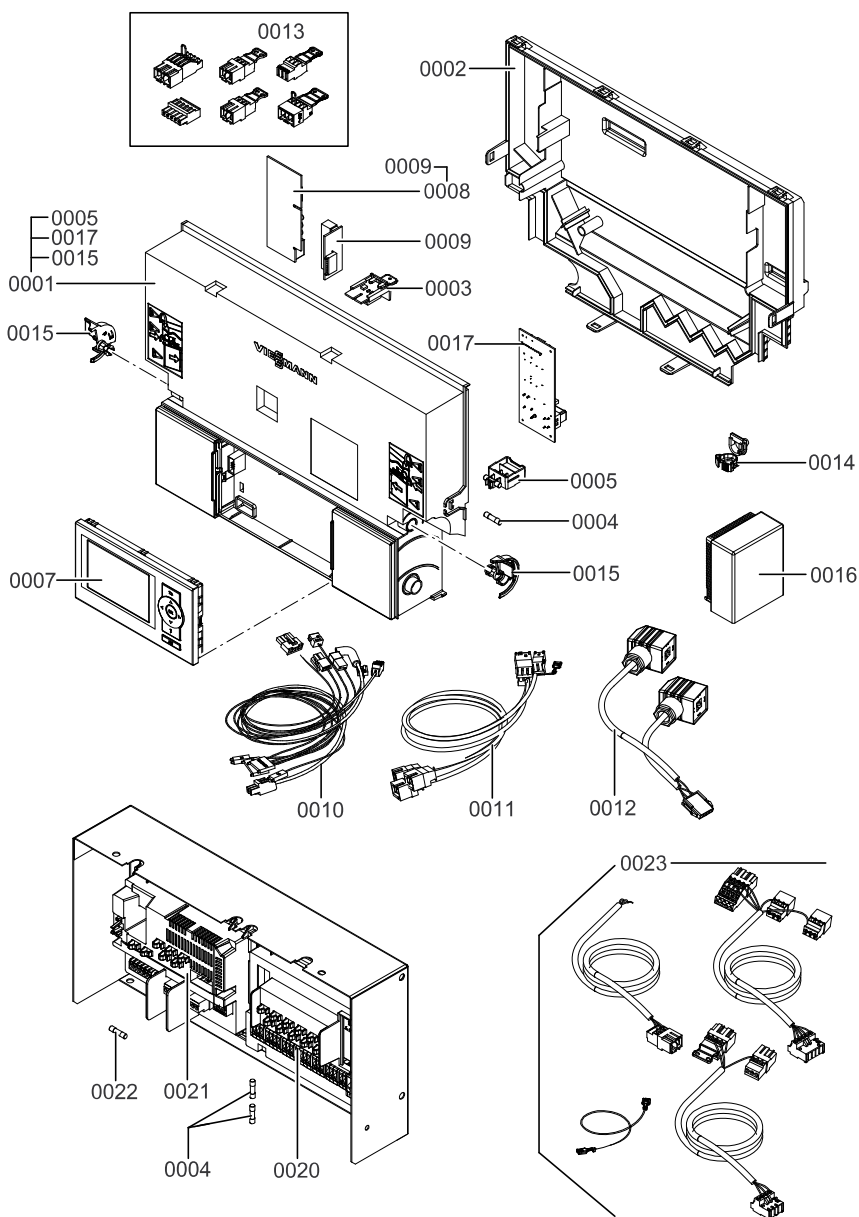
VITODENS 200-W

B2HA Series

Model No.	Serial No.
B2HA 112 Boiler	7510835□□□□□□□□
B2HA 150 Boiler	7510836□□□□□□□□

Parts for Control Assembly

- 0001 Control console
- 0002 Control housing, rear
- 0003 Coding plug
- 0004 Fuse, 6.3A/250V
(Pkg of 10)
- 0005 Fuse holder
- 0007 Vitotronic 200 HO1B
- 0008 LON communication module H01
- 0009 Circuit board (LON module adaptor)
- 0010 Cable harness X8/X9/ioniz.
- 0011 Cable harness 100/35/54/PE
- 0012 Cable harness GDW1/GDW2
- 0013 Counter plug, Neptune
- 0014 Strain relief
(Set of 10)
- 0015 Locking assembly (left/right)
- 0016 Outdoor temperature sensor, NTC
- 0017 Circuit board for internal expansion
- 0020 Power/pump control module
- 0021 Extension module EA1, 120/1/60
- 0022 Fuse, 2.0A/250V
(Pkg of 10)
- 0023 Harness set, ppc module



Parts List



Installation Set for VITODENS 200-W

7529 678 B2HA / B2HB 19-35
 7529 679 B2HA / B2HB 45-100
 7529 680 B2HA 112-150

Ordering Parts:

Please provide boiler Model and Serial Number from rating plate when ordering replacement parts. Order replacement components from your Viessmann distributor.

Parts

- 0301 Nipple
- 0302 Sediment faucet
- 0303 Tee, 3/4"
- 0304 Nipple
- 0305 Reduction tee
- 0306 Gas ball valve
- 0307 Coupling, 2" *1
- 0308 Nipple *1
- 0312 Pressure relief valve, 30 psig

Other Parts (not illustrated)

- 0309 Accessory pack
(metal stud mount kit)
- 0311 Outdoor temperature sensor
- 0316 Air bleed key *3
- 0325 Parts List, Installation Set
- 0350 Temperature gage, 2" 30-250°F *4
- 0351 Temperature sensor (immersion)
for DHW production, NTC
- 0352 Temperature sensor (immersion)
for low-loss header, NTC
(if low-loss header installed)

Optional Parts (not illustrated)

- 0313 Pressure relief valve, 45 psig
- 0314 Pressure relief valve, 60 psig
(only for sizes 45 to 150)
- 0315 Pressure relief valve, 80 psig
(only for sizes 112 and 150)

*1 Only on Vitodens 200-W sizes 112 and 150.
 *2 Discard when using multi-boiler distribution manifold with Vitodens 200-W sizes 45 to 150.
 *3 Excluding Vitodens 200-W sizes 45 to 100.
 *4 Install anywhere in supply piping near boiler.

(A) For Vitodens 200-W boiler please see separate Parts List.

