

Features

- Two handle installation for 8 - 16 centers.
- UltraGlide® valves with dry-stem technology are designed to eliminate common leak paths and provide smooth, effortless control.
- Red/blue indexing.
- Vertical spray.
- Fixture-mount transfer valve/vacuum breaker.

Material

- Premium metal construction for durability and reliability.
- KOHLER finishes resist corrosion and tarnishing.

Installation

- Handles are preassembled on valves to simplify installation.

Recommended Products/Accessories

- K-23726 Drain treatment
- K-23723 Faucet cleaner



Codes/Standards

ASME A112.18.1/CSA B125.1
ASSE 1001

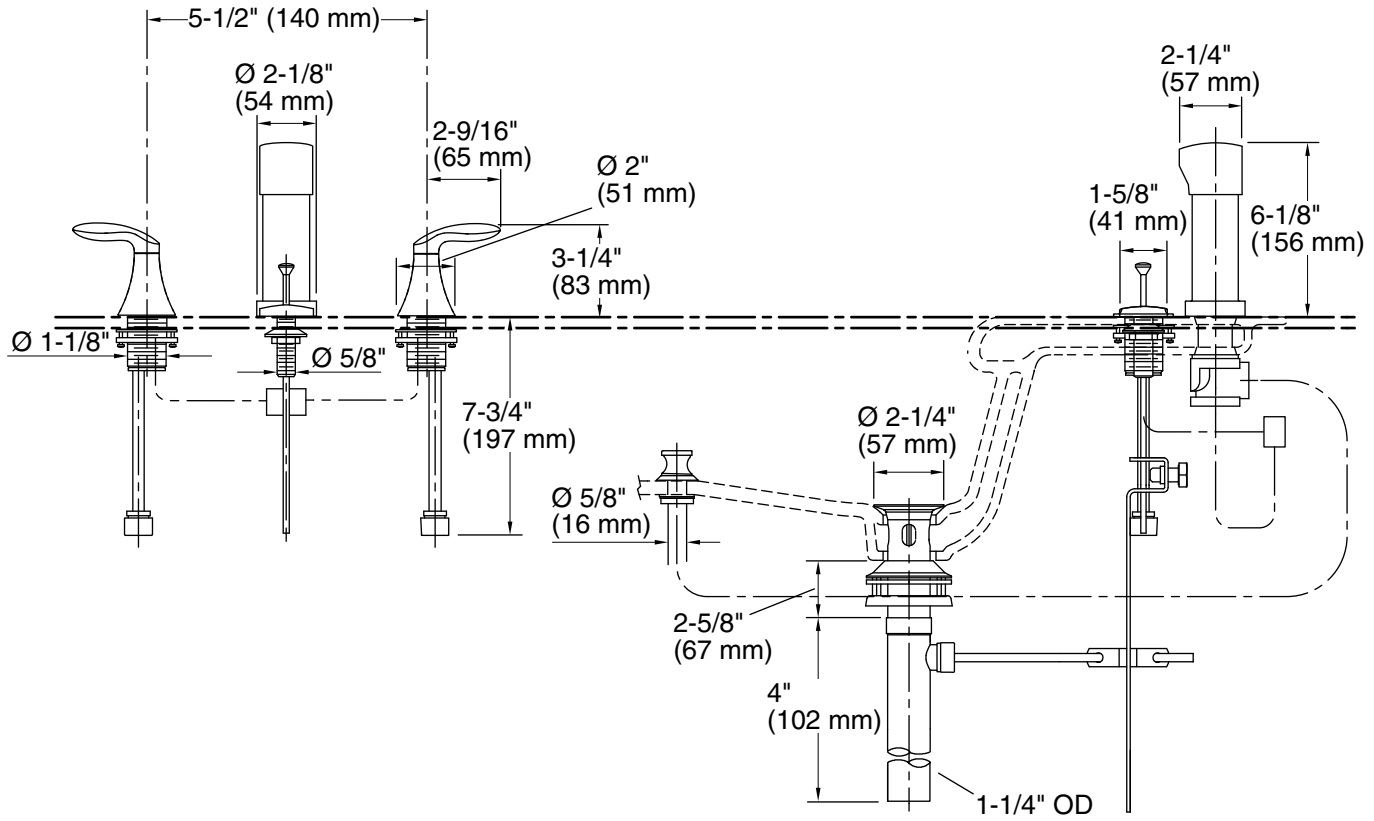
KOHLER® Faucet Lifetime Limited Warranty

See website for detailed warranty information.

Available Colors/Finishes

Color tiles intended for reference only.

Color	Code	Description
	CP	Polished Chrome



Technical Information

All product dimensions are nominal.

Valve body: Machined-brass
 Drain with overflow: Yes
 Drain tailpiece included: Yes

Notes

Install this product according to the installation guide.