

### Features

- Freestanding design creates a striking focal point in your bathing area
- Rectangle shape allows for corner, back-to-wall, or traditional freestanding installation
- Center toe-tap drain
- Integral lumbar support on both ends
- Built-in integral overflow
- 4.5" drain-to-floor clearance for above-floor drain installation

### Material

- Acrylic

### Installation

- Freestanding
- Above-floor-drain (AFD) rough-in
- Concealed adjustable legs make leveling during installation easy

### Included Components

1381626-0 Drain Assembly, White



### Codes/Standards

CSA B45.5/IAPMO Z124  
ASTM E162  
ASTM E662  
IAPMO Certification


### STERLING® Vikrell® or Acrylic Baths and Shower Bases Ten-Year Limited Warranty

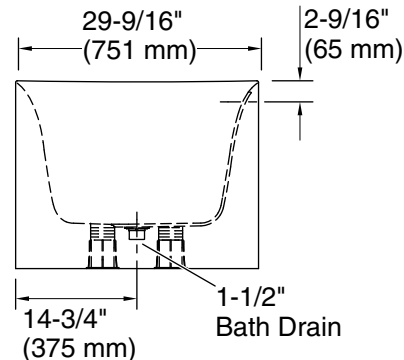
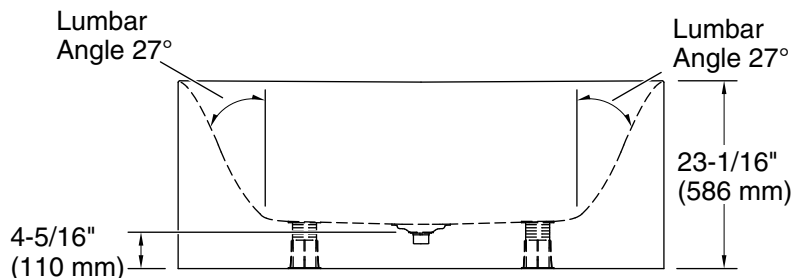
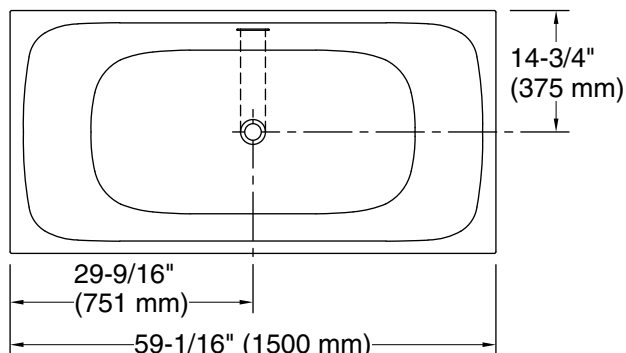
See website for detailed warranty information.

### Available Colors/Finishes

*Color tiles intended for reference only.*

Color	Code	Description
-------	------	-------------

	0	White
---	---	-------



**Technical Information**

All product dimensions are nominal.

- Drain location: Center
- Basin area, bottom: 40-5/8" x 20-1/4" (1031 mm x 514 mm)
- Basin area, top: 55-3/16" x 25-1/16" (1401 mm x 637 mm)
- Water depth: 14-5/8" (371 mm)
- Water capacity: 60 gal (227.1 L)

**Notes**

- Install this product according to the installation instructions.
- Measure your actual product for roughing-in details.
- The hot water supply should be 70% of the capacity of the bath or greater. Installations will vary.
- Do not support the load weight of the bath by the rim.