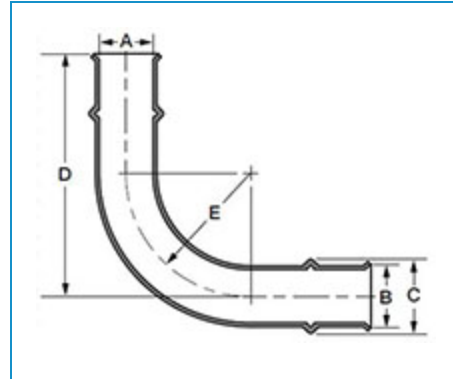
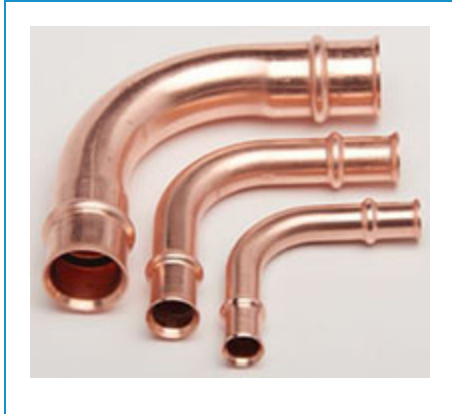




RLS LLC
833-RLS-FAST (833-757-3278)

Part Number 303118180011, 3031 - 90° Elbow - Press x Press



[Specifications](#) | [Dimensions](#)

Specifications

Size 1	1 1/8
Size 2	1 1/8
Fitting Body Material	Refrigerant Grade Copper, per ASTM-B75 or ASTM-B743
O-Ring Material	HNBR
Maximum Rated Pressure (MRP)	700 psi
Continuous Operating Temperature	250 °F
End Type	Press End
Weight	0.695 lb

Dimensions

Angle	90 °
A	1.14 in
B	1.29 in
C	1.45 in
D	4.29 in
E	2.54 in