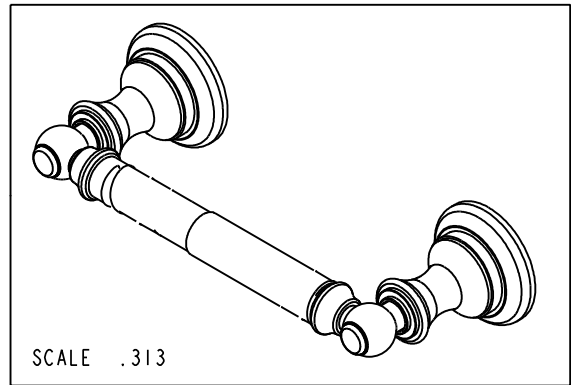


BILL OF MATERIAL (CURRENT LEVEL)

ITEM	PT/ASSY	DESCRIPTION	TYPE	QTY.
1	1-228	ACCESSORY MTG KIT	ASSEMBLY	2
2	1-125	HARDWARE KIT	ASSEMBLY	2
3	2-656	HANDLE ESCUTCHEON ASM	ASSEMBLY	2
4	11610	HANDLE BONNET	PART	2
5	7-648	END POST ASM	ASSEMBLY	2
6	2-184	TISSUE ROLLER ASSEMBLY	ASSEMBLY	1



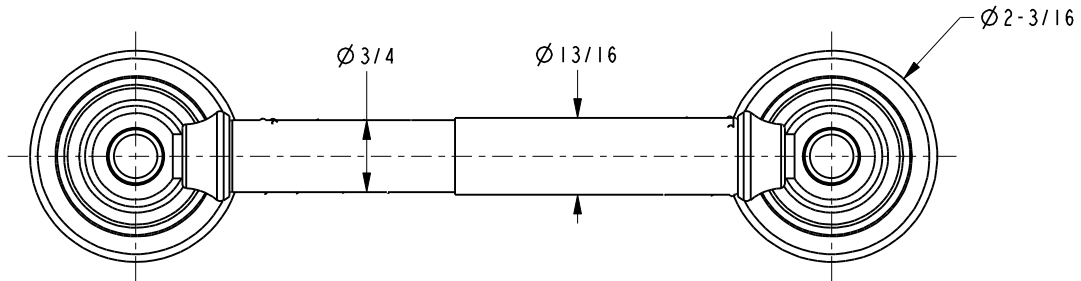
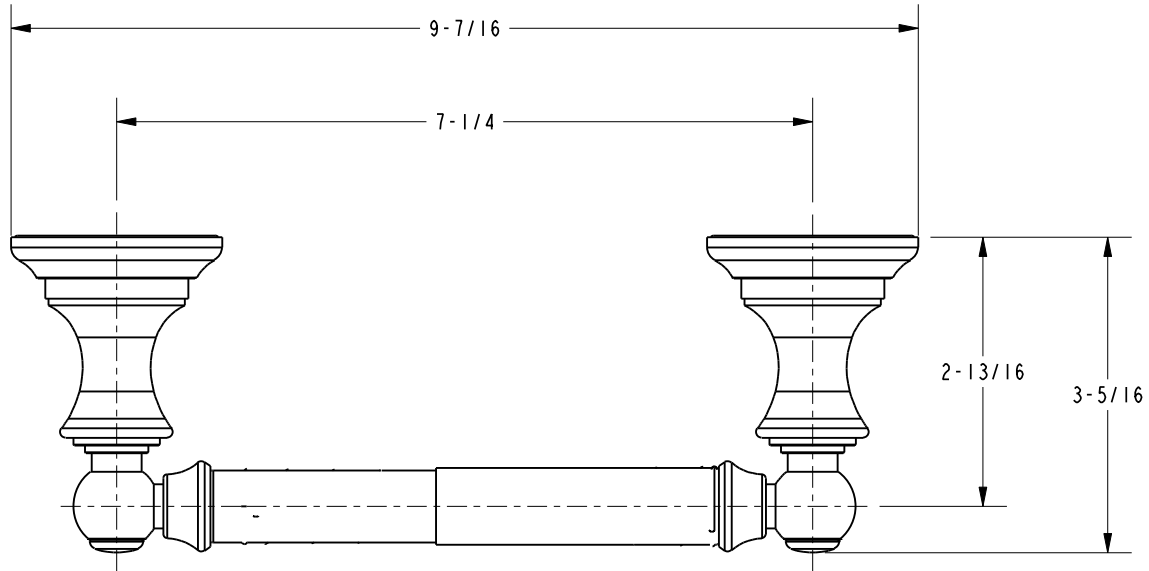
COPYRIGHT 2005 BRASSTECH, INC. THESE DRAWINGS AND THE DESIGNS DEPICTED HEREIN ARE THE PROPRIETARY PROPERTY OF BRASSTECH. ANY USE OR REPRODUCTION IS SUBJECT TO THE EXPRESS APPROVAL OF BRASSTECH. UNAUTHORIZED USE IS STRICTLY PROHIBITED. ALL RIGHTS RESERVED.

BRASSTECH
INCORPORATED
2001 E. CARNEGIE AVE.
SANTA ANA, CA 92705
(949) 417-5207

DOUBLE POST TISSUE HOLDER

ASSY. NO.	35-28			-	-	-		
SCALE	.500	REF.	-	SHEET	1 OF 2	REV	REV DESC	DATE
							EN-1266	06/02/10

SPECIFICATION DWG



DIMENSIONS ARE IN INCHES AND AN APPROXIMATION OF A TYPICAL INSTALLATION

COPYRIGHT 2005 BRASSTECH, INC. THESE DRAWINGS AND THE DESIGNS DEPICTED HEREIN ARE THE PROPRIETARY PROPERTY OF BRASSTECH. ANY USE OR REPRODUCTION IS SUBJECT TO THE EXPRESS APPROVAL OF BRASSTECH. UNAUTHORIZED USE IS STRICTLY PROHIBITED. ALL RIGHTS RESERVED.

BRASSTECH		2001 E. CARNEGIE AVE. SANTA ANA, CA 92705 (949) 417-5207	
INCORPORATED			
DWG NO.	35-28	REV	-
SCALE	.500	REF.	-
		SHEET	2 OF 2