

# MIX-60-A

► **Description**

Below Deck Mechanical Water Mixing Valve for use with a single Sloan Optima® faucet.

► **Model**

□ Model MIX-60-A

Supplied with Sloan Optima and Optima Plus faucets that are specified with the "BDM" (Below-Deck-Mixer) variation.

► **Specifications**

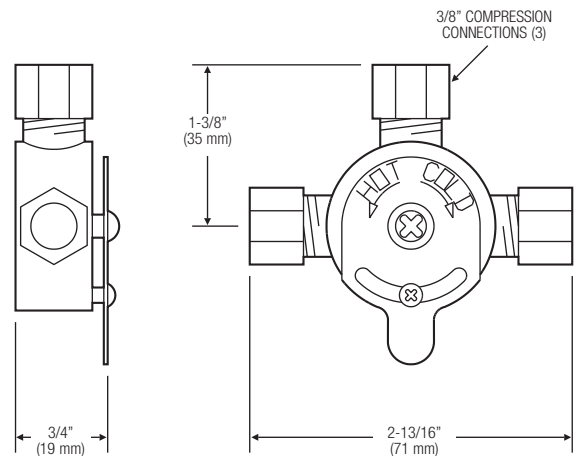
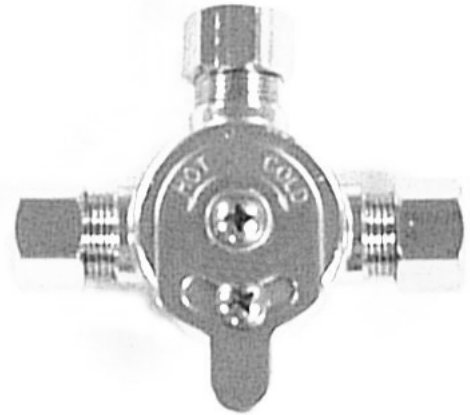
Mechanical Water Mixing Valve with the following features:

- Designed to install under the lavatory
- Installs in place of the Tee fitting supplied with the faucet prior to the solenoid valve
- Equipped with integral check valves at inlets
- 3/8" compression fittings on inlets and outlet
- Compression sleeves and nuts included
- Lever dial adjustment with lock screw: COLD-HOT
- Brass construction
- Chrome plated finish

► **Flow Capacities**

SYSTEM PRESSURE						
PSI	20	30	40	50	60	70
BAR	1.4	2.1	2.8	3.4	4.2	4.9
GPM	1.75	2.25	2.75	3.0	3.5	4.0
Lpm	6.62	8.51	10.40	11.35	13.25	15.14

**CAUTION!** This is a mechanical hot and cold mixing valve only! It **DOES NOT** provide automatic control of water temperature. Hot water in excess of 110°F (43°C) is dangerous and **CAN CAUSE SCALDING!**



SLOAN VALVE COMPANY • 10500 SEYMOUR AVE. • FRANKLIN PARK, IL. 60131  
 Phone: 1-800-9-VALVE-9 or 1-847-671-4300 • Fax: 1-800-447-8329 or 1-847-671-4380  
<http://www.sloanvalve.com>

Optima MIX-60-A 04-14

Copyright © 2014 SLOAN VALVE COMPANY

This space for Architect/Engineer approval

Job Name \_\_\_\_\_ Date \_\_\_\_\_

Model Specified \_\_\_\_\_ Quantity \_\_\_\_\_

Variations Specified \_\_\_\_\_

Customer/Wholesaler \_\_\_\_\_

Contractor \_\_\_\_\_

Architect \_\_\_\_\_

The information contained in this document is subject to change without notice.