



**Mariposa®**  
60" x 36" alcove Heated BubbleMassage™ air bath,  
left drain  
**K-1239-GHLA**

**Features**

- 120 airjets release thousands of heated bubbles that surround and support the body in a warm massage
- Variable-speed blower lets you adjust massage intensity to 18 levels
- Heated BubbleMassage™ includes 60-minute automatic shutoff timer
- Keypad control
- Hourglass shape adds style and elegance to your bathroom
- Integral apron
- Integral flange helps prevent water from seeping behind wall and simplifies alcove installation
- Textured bottom surface
- Automatic and manual purge cycles remove residual water from air channels after use

**Material**

- Acrylic

**Technology**

- Heated BubbleMassage™ technology warms and humidifies air before it enters the bath

**Installation**

- Left drain

**Required Products/Accessories**

- K-T37391 Rotary-turn bath drain trim
- K-T37392 Rotary-turn bath drain trim

or

- K-37383 Rough-in cable bath drain, PVC, 30" cable with tubing
- K-78438 30" cable bath drain

**Recommended Products/Accessories**

- K-1446 Remote Installation Kit
- K-1491 Bath/Whirlpool Pillow
- K-1601 Bath/whirlpool footstop, removable
- K-23726 Drain treatment
- K-7265 Brass toe tap bath drain
- K-7259 Brass toe tap bath drain



**Codes/Standards**

- ASME A112.19.7/CSA B45.10
- CSA B45.5/IAPMO Z124
- ASTM E162
- ASTM E662
- UL 1795
- cUL Listed
- UL Listed

**KOHLER® Plastic Baths and Shower Bases Lifetime Limited Warranty**  
**KOHLER® Hydrotherapy Components Five-Year Limited Warranty**

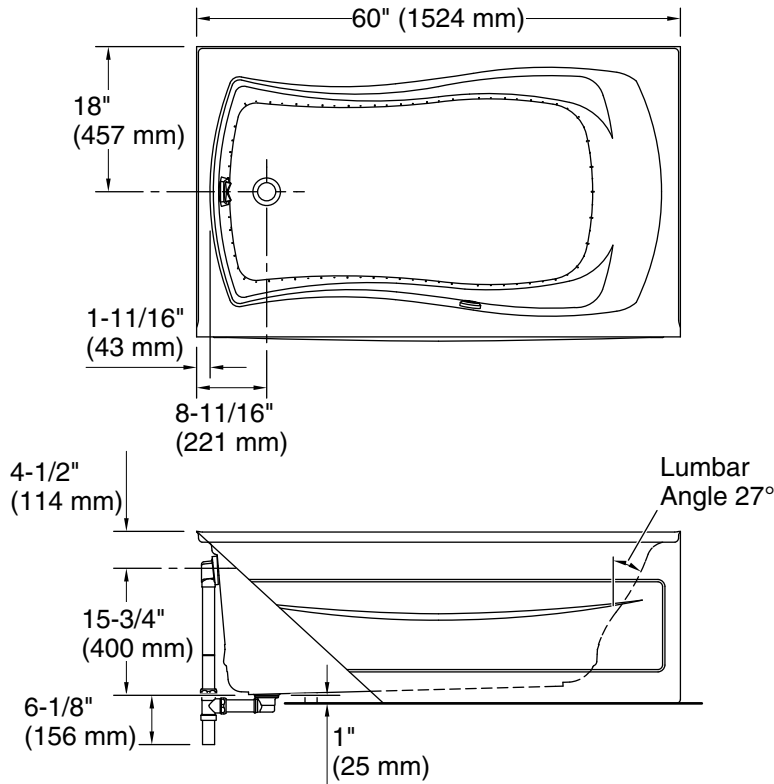
See website for detailed warranty information.

**Available Colors/Finishes**

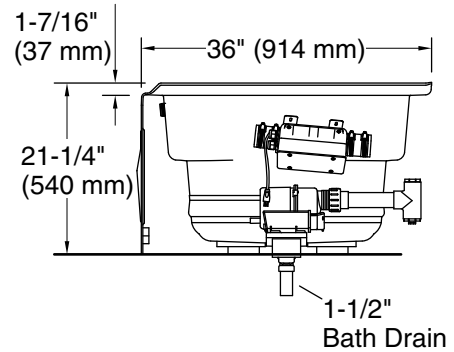
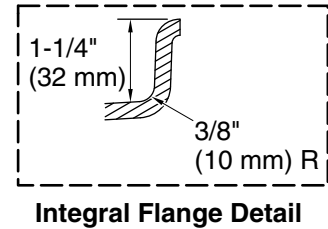
*Color tiles intended for reference only.*

**Color Code Description**

	0	White
--	---	-------



No change in measurements if connected with drain illustrated. (K-7166AF)



### Required Electrical Service

Two dedicated circuits required, protected with Class A Ground-Fault Circuit-Interrupter (GFCI). Outside North America, this device may be known as a Residual Current Device (RCD).

Blower: 120 V, 15 A, 60 Hz  
 Air bath: 120 V, 15 A, 60 Hz

### Technical Information

All product dimensions are nominal.

Drain location: Left  
 Basin area, bottom: 45" x 20-7/8" (1144 mm x 531 mm)  
 Basin area, top: 56" x 26-1/16" (1422 mm x 662 mm)  
 Weight: 115 lbs (52.2 kg)  
 Minimum floor load: 56 lbs/ft² (273.4 kg/m²)  
 Water depth: 13-11/16" (347 mm)  
 Water capacity: 63 gal (238.5 L)  
 Electrical component rating:  
     Blower: 120 V, 10 A, 60 Hz  
     Air bath: 120 V, 5 A, 60 Hz  
 Blower speed: Variable  
 Minimum flat for door: 2" (51 mm)

### Notes

Measure your actual product for rough-in details.

Install this product according to the installation instructions.

The hot water supply should be 70% of the capacity of the bath or greater. Installations will vary.

Remote blower installation kit K-1446 is available for relocating the blower. Provide access for servicing the blower.

Do not relocate or alter the PVC tee or coiled flexible tubing connected to the blower. Follow the blower relocation instructions exactly.