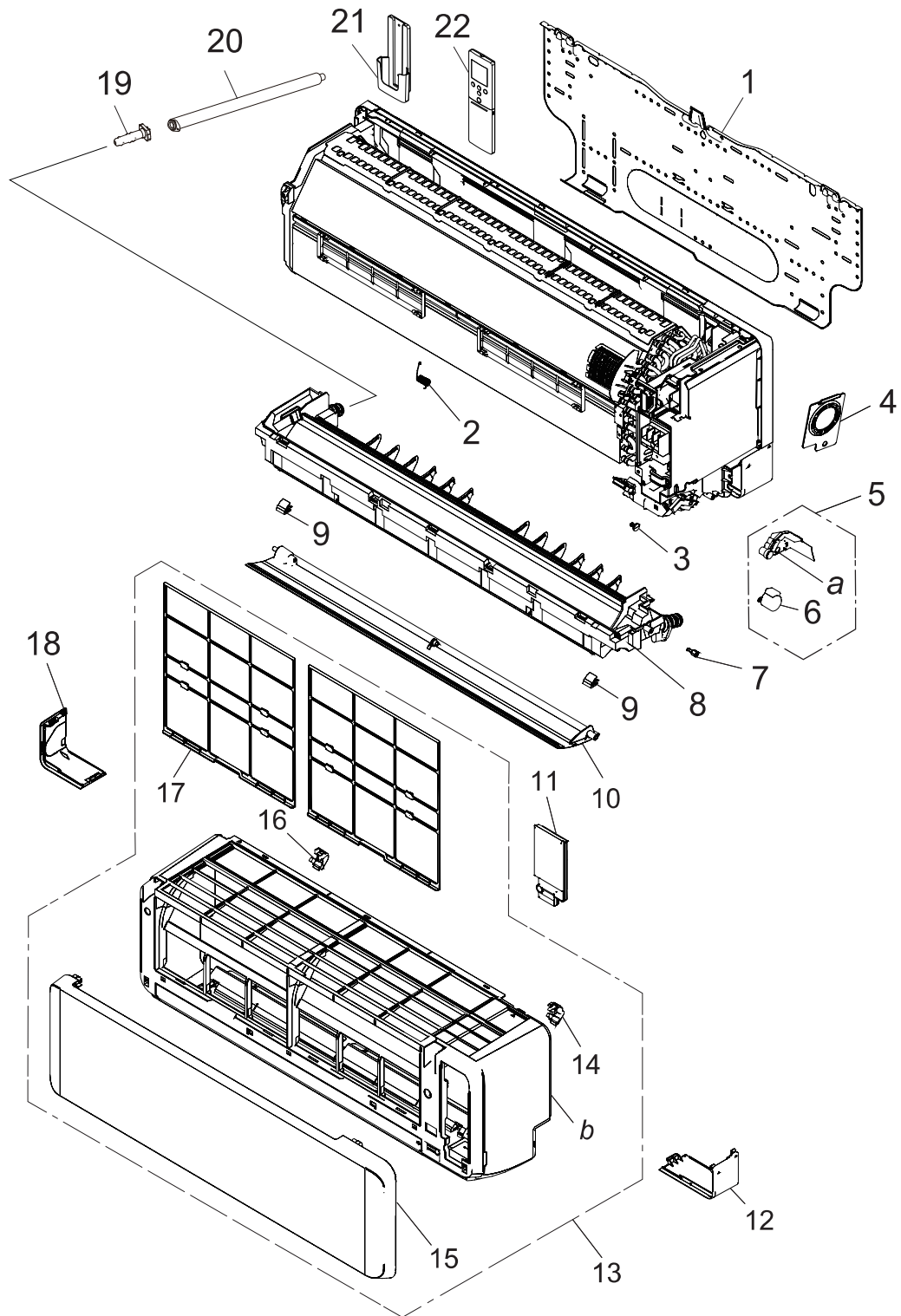


2. Indoor unit parts list

2-1. Models: ASUG09LMAS and ASUG12LMAS

■ Exterior parts

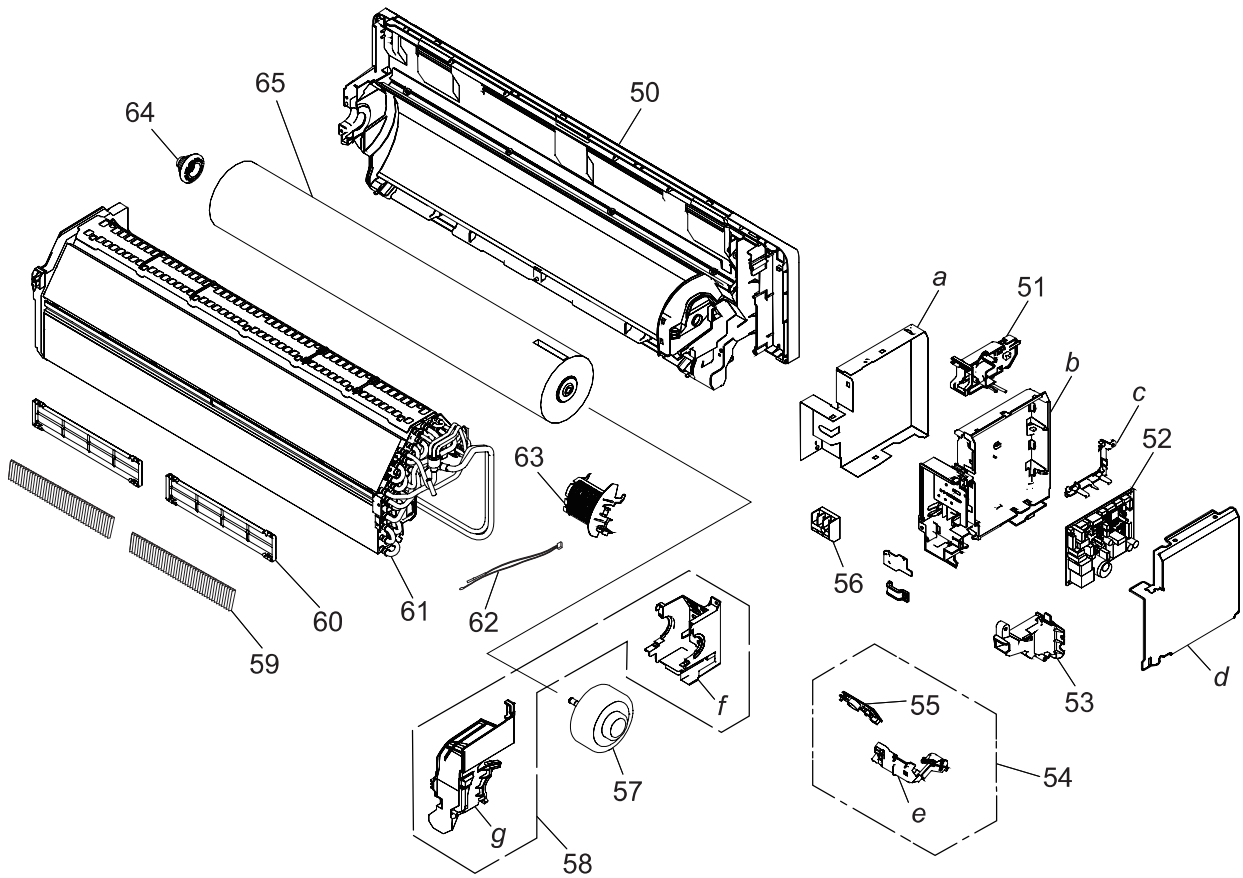


Item no.	Part no.	Part name	Service part
1	9387480009	Bracket panel	◆
2	9387471007	Louver spring	◆
3	9333608006	Bush	◆
4	9313951047	Conduit holder	◆
5	9387714036	Step motor holder assy	◆
6	9901011047	Step motor	◆
7	9332861006	Shaft cover	◆
8	9387590050	Drain pan total assy	◆
9	9387476002	Screw cap	◆
10	9387479003	U/D louver assy	◆
11	9387597035	Wire cover assy	◆
12	9387478020	Under cover R	◆
13	9387596458	Front panel total assy	◆
14	9333704005	Grille clamper R	◆
15	9387799057	Intake grill B	◆
16	9333719009	Grille clamper L	◆
17	9387473001	Air filter	◆
18	9387477023	Under cover L	◆
19	9316177017	Drain cap	◆
20	9316904002	Drain hose assy	◆
21	9318912005	Remote controller holder	◆
22	9332438772	Remote controller	◆
a	—	Step motor holder	—
b	—	Front panel	—

■ Base, evaporator, and control

TECHNICAL DATA
AND PARTS LIST

TECHNICAL DATA
AND PARTS LIST



Item no.	Part no.	Part name	Service part
50	9387587012	Base assy	◆
51	9383765032	WLAN adapter holder assy	◆
52	9711141422	Main PCB (For 09 model)	◆
	9711141439	Main PCB (For 12 model)	◆
53	9387488043	Cable guide	◆
54	9711146076	Display assy	◆
55	9711147011	Indicator PCB	◆
56	9306489045	Terminal	◆
57	9603821012	Brushless motor	◆
58	9387589030	Motor case assy	◆
59	9317250009	Air clean filter assy	◆
60	9332911008	Electric filter holder	◆
61	9387593228	Evaporator total assy	◆
62	9900627041	Thermistor assy	◆
63	9387467000	Room thermistor holder	◆
64	9333628004	Bearing D assy	◆
65	9387055016	Crossflow fan assy	◆
<i>a</i>	—	Box shield	—
<i>b</i>	—	Control box	—
<i>c</i>	—	PCB holder A	—
<i>d</i>	—	Control cover	—
<i>e</i>	—	Display case assy	—
<i>f</i>	—	Motor case	—
<i>g</i>	—	Motor cover	—