



## 39 Replacement parts

### REPLACEMENT PART NUMBERS

WM Technologies part numbers are found in this manual and in Weil-McLain Boilers and Controls Repair Parts Lists.

### WHEN OPERATING THE BOILER ON PROPANE GAS

**⚠WARNING** ALL boilers must be converted in order to operate with propane gas.

Figure 163 Propane conversion kits and instructions

| Boiler model | Kit part number | Installation instructions      |
|--------------|-----------------|--------------------------------|
| AB-80 NG     | 640-000-022     | <b>See Pages <u>10-15.</u></b> |
| AB-80 LP     | 640-000-024     |                                |
| AB-120 NG    | 640-000-023     |                                |
| AB-120 LP    | 640-000-025     |                                |
| AB-155 NG    | 640-000-082     |                                |
| AB-155 LP    | 640-000-133     |                                |

**⚠WARNING** Failure to adhere to these guidelines can result in severe personal injury, death or substantial property damage.

### Obtain parts only through WM Technologies

Replacement parts must be purchased through a local WM Technologies distributor. When ordering, specify boiler model and size and include description and part number of replacement part. Results from using modified or other manufactured parts will not be covered by warranty and may damage boiler or impair operation.

### The boiler contains ceramic fiber materials

**The boiler contains ceramic fiber materials.** Use care when handling these materials per instructions on [page 86](#) of this manual. Failure to comply could result in severe personal injury.

### Reinstall jacket door

Inspect boiler jacket door front of cabinet and reinstall boiler jacket door after start or servicing. The boiler jacket door must be securely fastened to the boiler to prevent boiler from drawing air from inside the boiler room. This is particularly important if the boiler is located in the same room as other appliances. Failure to keep the jacket door securely fastened could result in severe personal injury or death.

### BEFORE SERVICING or MAKING CONNECTIONS —

**ALWAYS TURN POWER OFF TO THE BOILER TO PREVENT ELECTRICAL SURGES, WHICH CAN DAMAGE BOILER COMPONENTS.**

### Label wires

**⚠CAUTION** Label all wires prior to disconnection when servicing controls. Wiring errors can cause improper and dangerous operation.



## 39 Replacement parts *(continued)*

**Figure 164** Miscellaneous parts and kits

| Description   | Part Number |
|---|-------------|
| Antifreeze, Sentinel X500 . . . . .   | 592-900-029 |
| Corrosion inhibitor, Sentinel X100 . . . . .  | 592-900-002 |
| Quick Test Kit, Sentinel X100 . . . . .   | 592-900-005 |
| Cleaner, Sentinel X400 . . . . .  | 592-900-003 |
| Wall-mount kit (supplied with boiler ) — wall mount bracket and hardware  | 640-000-044 |
| Condensate trap kit (supplied with boiler) — condensate trap assembly and flexible line   | 640-000-073 |
| Condensate neutralizer kit  | 383-500-631 |
| Annual Maintenance Kit 80/120   | 640-000-114 |
| Annual Maintenance Kit 155  | 640-000-112 |
| Direct Exhaust Venting Kit<br>Includes: Cover plates, vent screens and mounting hardware for 2" and 3" vent sizes.                            | 640-000-135 |
| Sidewall separate pipes vent/air termination kits (includes two cover plates)<br>Kit for 2" PVC vent and air pipes . . . . .                  | 383-700-171 |
| Kit for 3" PVC vent and air pipes . . . . .   | 383-500-100 |
| Kit for 3" AL29-4C and air pipe . . . . .   | 383-700-172 |
| PVC concentric vent kit — horizontal or vertical (includes components for concentric assembly)<br>Kit for 2" PVC vent and air pipes . . . . . | 383-700-167 |
| Kit for 3" PVC vent and air pipes . . . . .   | 383-500-350 |
| Bird screens (1 screen each)<br>For 2" PVC vent and air pipes . . . . .   | 383-500-106 |
| For 3" PVC vent and air pipes . . . . .   | 383-500-105 |

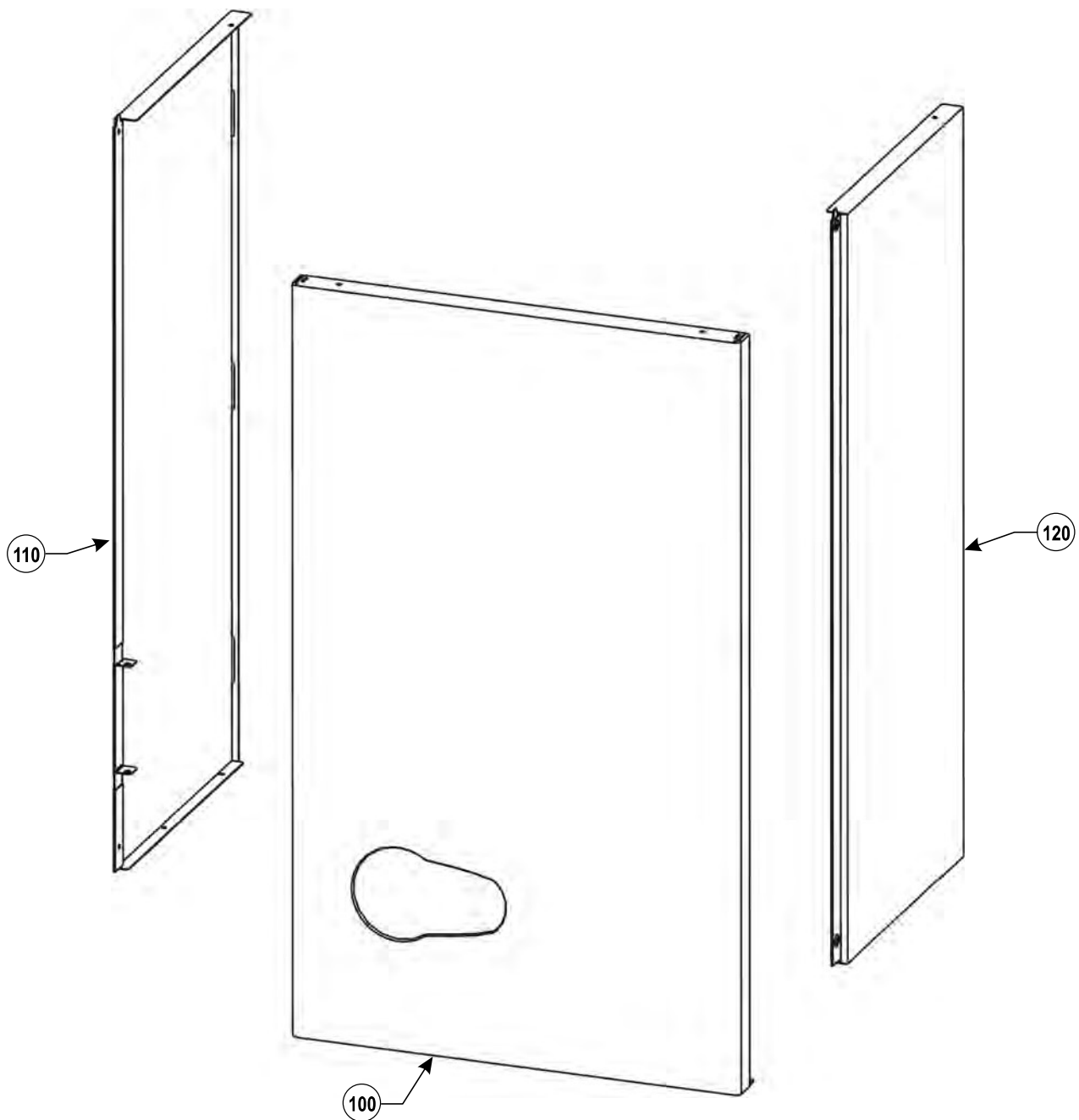
| Description   | Part Number |
|---|-------------|
| M&G Simpson-Duravent PolyPro SIDEWALL concentric vent/air kit (color: white)<br>2" polypropylene pipe . . . . .   | 2PPS-HK     |
| 3" polypropylene pipe . . . . .   | 3PPS-HK     |
| M&G Simpson-Duravent PolyPro VERTICAL concentric vent/air kit; color = black (part number shown) or terra cotta (add -TC suffix)<br>2" polypropylene pipe . . . . . | 2PPS-VK     |
| 3" polypropylene pipe . . . . .   | 3PPS-VK     |
| M&G Simpson-Duravent PolyPro SIDEWALL separate air and vent pipes<br>2" polypropylene pipe . . . . .  | 2PPS-HTP    |
| 3" polypropylene pipe . . . . .   | 3PPS-HTP    |
| Centrotherm INNOFLUE SIDEWALL concentric vent/air kit<br>3" polypropylene pipe . . . . .  | ICWT352     |
| 2" stainless steel/pp pipe . . . . .  | ICWS2413    |
| 3" stainless steel/pp pipe . . . . .  | ICWS3513    |
| Centrotherm INNOFLUE VERTICAL concentric vent/air kit<br>2" polypropylene pipe . . . . .  | ICRT2439    |
| 3" polypropylene pipe . . . . .   | ICRT3539    |



### 39 Replacement parts *(continued)*

Figure 165 Jacket parts

| Item | Name              | Part Number |
|------|-------------------|-------------|
| 100  | Jacket door       | 640-000-067 |
| 110  | Jacket left side  | 640-000-065 |
| 120  | Jacket right side | 640-000-066 |

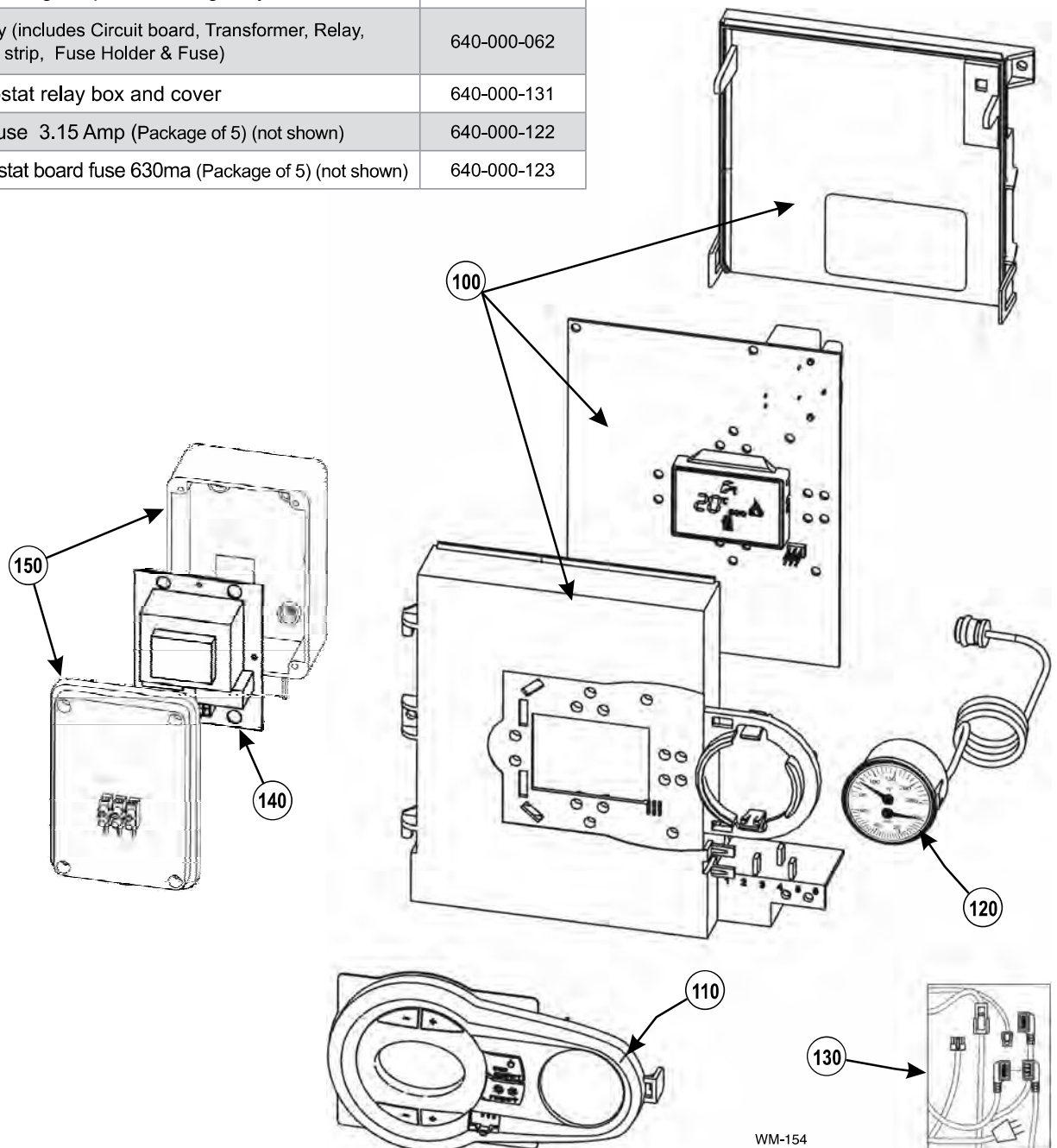




### 39 Replacement parts *(continued)*

**Figure 166** Control and electrical assemblies

| Item | Name  | Part Number |
|------|---|-------------|
| 100  | Control module assembly   | 640-000-003 |
| 110  | Control module display cover  | 640-000-004 |
| 120  | Pressure-temperature assembly   | 640-000-006 |
| 130  | Wire harness assembly - Combi - 80/120  | 640-000-005 |
|      | Wire harness assembly - Combi - 155   | 640-000-085 |
|      | Wire harness assembly - Heating Only  | 640-000-053 |
|      | Blower wiring adapter - Heating Only - 155  | 640-000-103 |
| 140  | PCB only (includes Circuit board, Transformer, Relay, Terminal strip, Fuse Holder & Fuse) | 640-000-062 |
| 150  | Thermostat relay box and cover  | 640-000-131 |
| 160  | Board fuse 3.15 Amp (Package of 5) (not shown)  | 640-000-122 |
| 170  | Thermostat board fuse 630ma (Package of 5) (not shown)                                    | 640-000-123 |



WM-154



## 39 Replacement parts *(continued)*

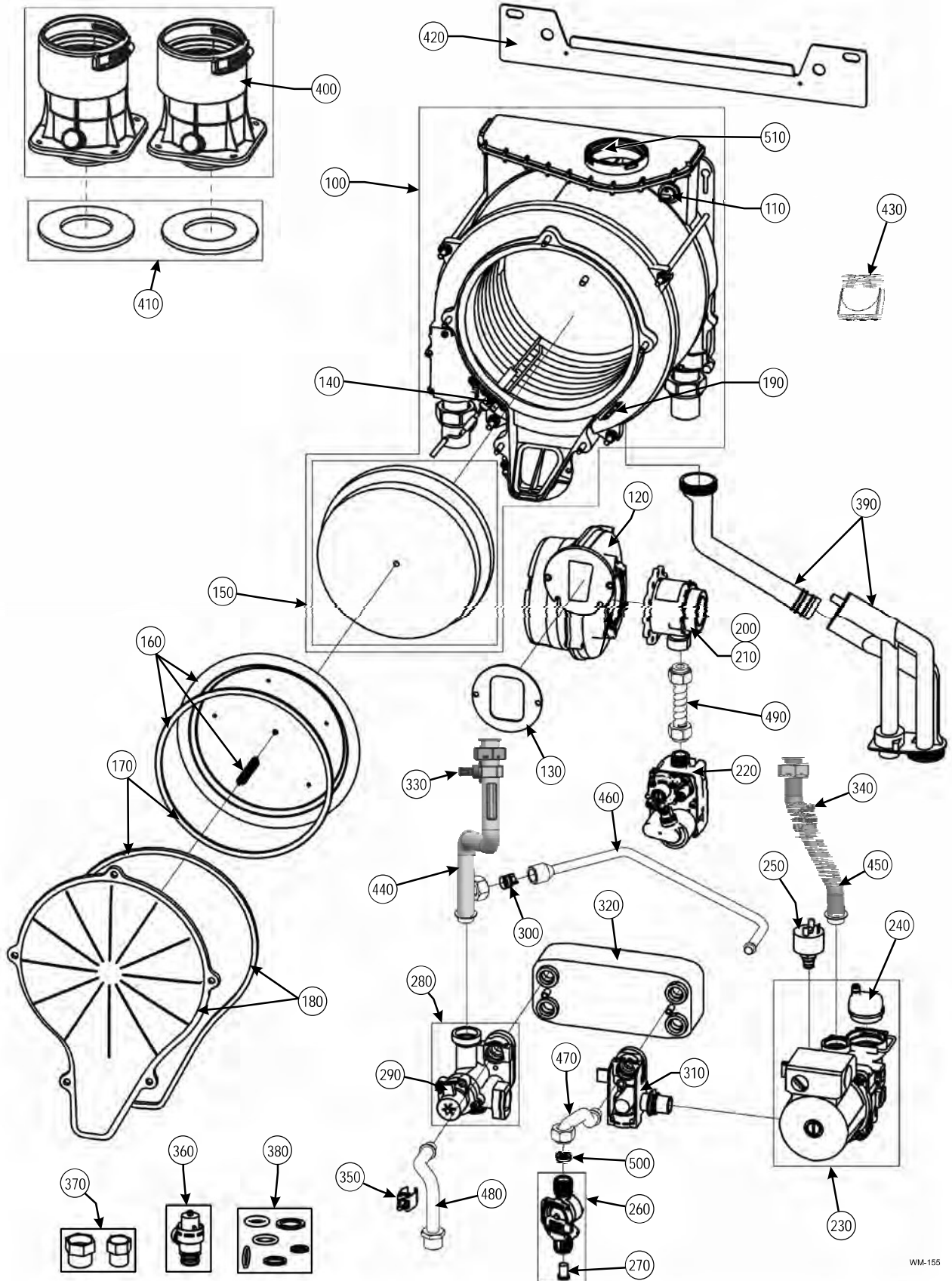
**Figure 167** Boiler replacement kits and parts AB-80/120C (Combi)

| Item | Name   | Part Number | Model |        |
|------|--|-------------|-------|--------|
|      |  |             | AB-80 | AB-120 |
| 100  | Heat Exchanger                                     | 640-000-116 | ●     | —      |
|      |  | 640-000-117 | —     | ●      |
| 110  | Flue Sensor Temperature                            | 640-000-011 | ●     | ●      |
| 120  | Blower Assembly                                    | 640-000-020 | ●     | ●      |
| 130  | Blower Gasket                                      | 640-000-021 | ●     | ●      |
| 140  | Ignitor  | 640-000-109 | ●     | ●      |
| 150  | Central Heat Exchanger Insulation                  | 640-000-010 | ●     | ●      |
| 160  | Burner   | 640-000-012 | ●     | ●      |
| 170  | Burner Gasket Set                                  | 640-000-013 | ●     | ●      |
| 180  | Burner Cover                                       | 640-000-016 | ●     | ●      |
| 190  | Inspection Glass                                   | 640-000-015 | ●     | ●      |
| 200  | Kit - Natural Gas Conversion                       | 640-000-022 | ●     | —      |
|      |  | 640-000-023 | —     | ●      |
| 210  | Kit - Liquefied Petroleum (Propane) Gas Conversion | 640-000-024 | ●     | —      |
|      |  | 640-000-025 | —     | ●      |
| 220  | Gas Valve VK8205V                                  | 640-000-037 | ●     | ●      |
| 230  | Circulator FX3-FP                                  | 640-000-017 | ●     | ●      |
| 240  | Air Separator                                      | 640-000-018 | ●     | ●      |
| 250  | Water Pressure Switch                              | 640-000-019 | ●     | ●      |
| 260  | Flow Meter   | 640-000-026 | ●     | ●      |
| 270  | Water Filter                                       | 640-000-027 | ●     | ●      |
| 280  | Valve 3- Way                                       | 640-000-028 | ●     | ●      |
| 290  | Motor 3- Way Valve                                 | 640-000-029 | ●     | ●      |
| 300  | N/R Valve Fitting                                  | 640-000-030 | ●     | ●      |
| 310  | DHW R. Plate Connection                            | 640-000-031 | ●     | ●      |
| 320  | Plate Exchanger 16P.                               | 640-000-032 | ●     | —      |
|      | Plate Exchanger 20P.                               | 640-000-033 | —     | ●      |
| 330  | CH Temperature Probe DP                            | 640-000-034 | ●     | ●      |
| 340  | CH Temperature Probe US                            | 640-000-035 | ●     | ●      |
| 350  | DHW Temperature Probe US                           | 640-000-036 | ●     | ●      |
| 360  | Relief Valve 3/4"                                  | 640-000-038 | ●     | ●      |
| 370  | NPT Adapters                                       | 640-000-039 | ●     | ●      |
| 380  | Gasket Set   | 640-000-007 | ●     | ●      |
| 390  | Condensate Drain Trap                              | 640-000-068 | ●     | ●      |
| 400  | Vent Adapters (2 adapters in kit)                  | 640-000-107 | ●     | ●      |
| 410  | Gaskets - Vent Adapter (2 gaskets in kit)          | 640-000-108 | ●     | ●      |
| 420  | Wall Mount Bracket                                 | 640-000-044 | ●     | ●      |
| 430  | Outdoor Temperature Sensor                         | 640-000-043 | ●     | ●      |
| 440  | CH - Flow Pipe                                     | 640-000-124 | ●     | —      |
|      |  | 640-000-125 | —     | ●      |
| 450  | CH - Return Pipe                                   | 640-000-126 | ●     | ●      |
| 460  | Bypass Pipe  | 640-000-049 | ●     | ●      |
| 470  | Flow Meter Pipe                                    | 640-000-050 | ●     | ●      |
| 480  | DHW Outlet Pipe                                    | 640-000-051 | ●     | ●      |
| 490  | Gas Pipe   | 640-000-072 | ●     | —      |
|      |  | 640-000-130 | —     | ●      |
| 500  | Flow Regulator (4 GPM) (Restrictor)                | 640-000-110 | ●     | ●      |
| 510  | Gasket - Heat Exchanger Vent                       | 640-000-136 | ●     | ●      |



# 39 Replacement parts *(continued)*

Figure 168 Boiler replacement kits and parts AB-80/120C (Combi) *continued*



WM-155



## 39 Replacement parts *(continued)*

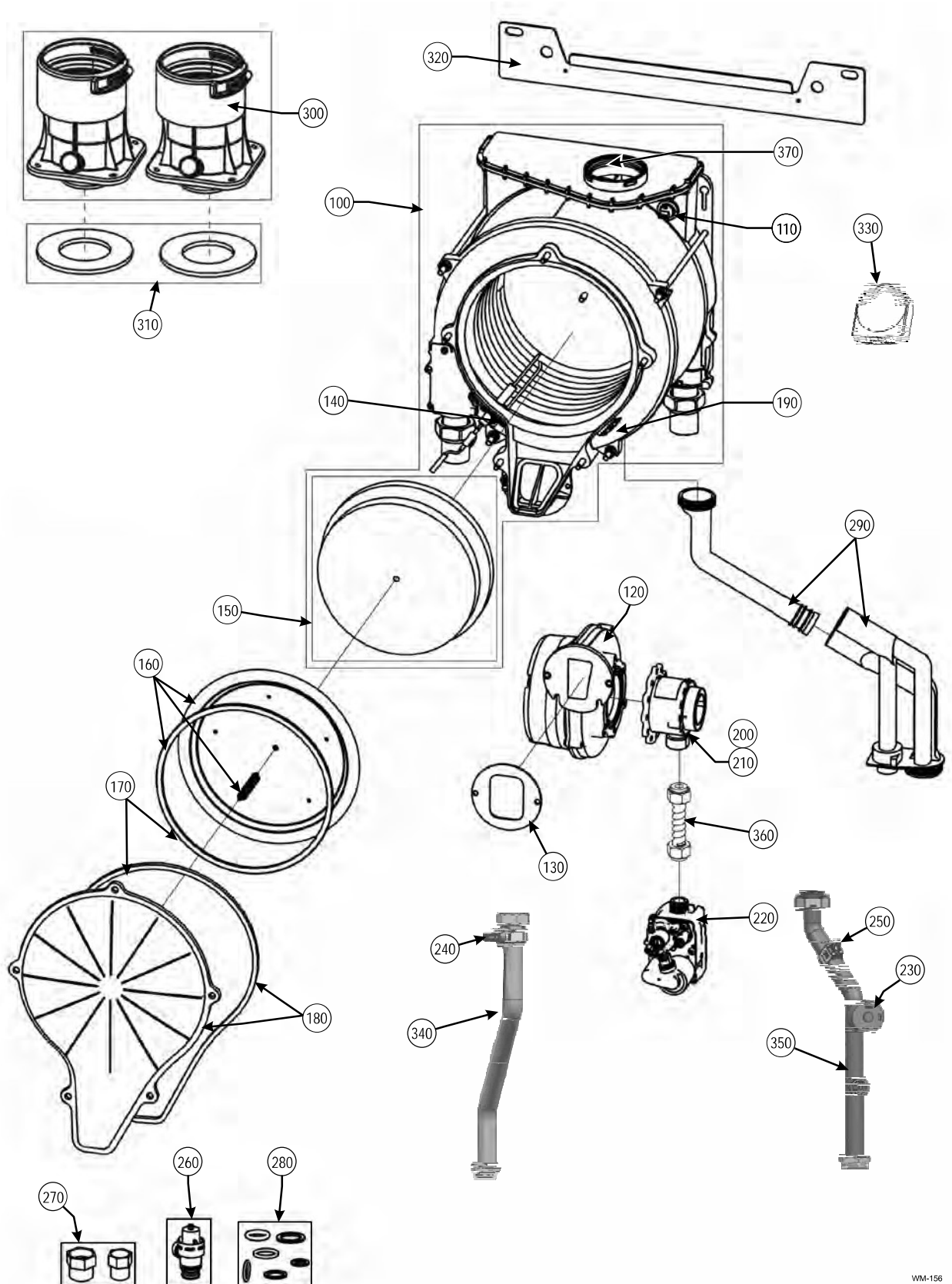
**Figure 169** Boiler replacement kits and parts AB-80/120H (Heating Only)

| Item | Name   | Part Number | Model |        |
|------|--|-------------|-------|--------|
|      |  |             | AB-80 | AB-120 |
| 100  | Heat Exchanger                                     | 640-000-116 | ●     | —      |
|      |  | 640-000-117 | —     | ●      |
| 110  | Flue Sensor Temperature                            | 640-000-011 | ●     | ●      |
| 120  | Blower Assembly                                    | 640-000-020 | ●     | ●      |
| 130  | Blower Gasket                                      | 640-000-021 | ●     | ●      |
| 140  | Ignitor  | 640-000-109 | ●     | ●      |
| 150  | Central Heat Exchanger Insulation                  | 640-000-010 | ●     | ●      |
| 160  | Burner   | 640-000-012 | ●     | ●      |
| 170  | Burner Gasket Set                                  | 640-000-013 | ●     | ●      |
| 180  | Burner Cover                                       | 640-000-016 | ●     | ●      |
| 190  | Inspection Glass                                   | 640-000-015 | ●     | ●      |
| 200  | Kit - Natural Gas Conversion                       | 640-000-022 | ●     | —      |
|      |  | 640-000-023 | —     | ●      |
| 210  | Kit - Liquefied Petroleum (Propane) Gas Conversion | 640-000-024 | ●     | —      |
|      |  | 640-000-025 | —     | ●      |
| 220  | Gas Valve VK8205V                                  | 640-000-037 | ●     | ●      |
| 230  | Water Pressure Switch                              | 640-000-019 | ●     | ●      |
| 240  | CH Temperature Probe DP                            | 640-000-034 | ●     | ●      |
| 250  | CH Temperature Probe US                            | 640-000-035 | ●     | ●      |
| 260  | Relief Valve 3/4"                                  | 640-000-038 | ●     | ●      |
| 270  | NPT Adapters                                       | 640-000-039 | ●     | ●      |
| 280  | Gasket Set   | 640-000-055 | ●     | ●      |
| 290  | Condensate Drain Trap                              | 640-000-073 | ●     | ●      |
| 300  | Vent Adapters (2 adapters in kit)                  | 640-000-107 | ●     | ●      |
| 310  | Gaskets - Vent Adapter (2 gaskets in kit)          | 640-000-108 | ●     | ●      |
| 320  | Wall Mount Bracket                                 | 640-000-044 | ●     | ●      |
| 330  | Outdoor Temperature Sensor                         | 640-000-043 | ●     | ●      |
| 340  | CH - Flow Pipe                                     | 640-000-127 | ●     | —      |
|      |  | 640-000-128 | —     | ●      |
| 350  | CH - Return Pipe                                   | 640-000-129 | ●     | ●      |
| 360  | Gas Pipe   | 640-000-072 | ●     | —      |
|      |  | 640-000-130 | —     | ●      |
| 370  | Gasket - Heat Exchanger Vent                       | 640-000-136 | ●     | ●      |



# 39 Replacement parts *(continued)*

Figure 170 Boiler replacement kits and parts AB-80/120H (Heating Only) *continued*



WM-156



## 39 Replacement parts *(continued)*

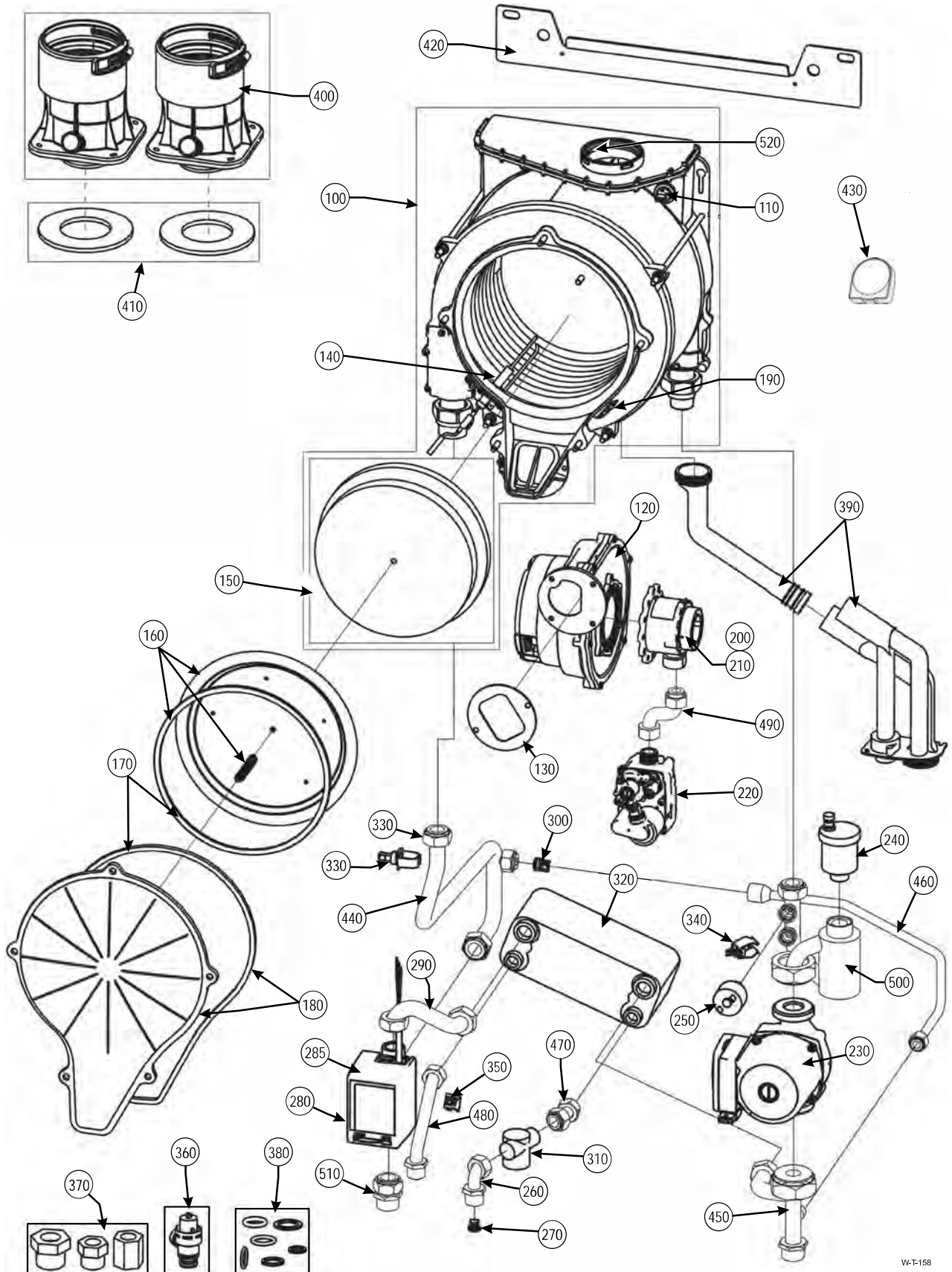
**Figure 171** Boiler replacement kits and parts **AB-155C Combi**

| Item | Name  | Part Number |
|------|---|-------------|
| 100  | Heat Exchanger  | 640-000-118 |
| 110  | Flue Sensor Temperature   | 640-000-011 |
| 120  | Blower  | 640-000-081 |
| 130  | Blower Gasket   | 640-000-021 |
| 140  | Ignitor   | 640-000-109 |
| 150  | Central Heat Exchanger Insulation   | 640-000-010 |
| 160  | Burner  | 640-000-012 |
| 170  | Burner Gasket Set<br>Burner Gasket Premix 1 Piece Burner Cover Gasket 1 piece   | 640-000-013 |
| 180  | Burner Cover  | 640-000-016 |
| 190  | Inspection Glass  | 640-000-015 |
| 200  | Kit - Natural Gas Conversion  | 640-000-082 |
| 210  | Kit - Liquefied Petroleum (Propane) Gas Conversion  | 640-000-133 |
| 220  | Gas Valve VK8205V   | 640-000-037 |
| 230  | Circulator UPS2578  | 640-000-086 |
| 240  | Air Separator   | 640-000-087 |
| 250  | Water Pressure Switch   | 640-000-019 |
| 260  | DHW Inlet Pipe  | 640-000-098 |
| 270  | Water Filter  | 640-000-027 |
| 280  | Valve 3-Way   | 640-000-088 |
| 285  | Valve 3-Way Motor   | 640-000-134 |
| 290  | 3-Way Valve-PHE Pipe  | 640-000-095 |
| 300  | N/R Valve Fitting   | 640-000-030 |
| 310  | Flow Meter  | 640-000-084 |
| 320  | Plate Exchanger PFH30   | 640-000-089 |
| 330  | CH Temperature Probe DP   | 640-000-034 |
| 340  | CH Temperature Probe US   | 640-000-035 |
| 350  | DHW Temperature Probe US  | 640-000-036 |
| 360  | Relief Valve 3/4"   | 640-000-038 |
| 370  | NPT Adapters  | 640-000-090 |
| 380  | Gasket Set<br>O-Ring 167 ID 63.5mm X 3.53mm NBR 5 pcs Gasket OD 24 X ID17mm X 2mm 10 pcs<br>O-Ring 21.89mm X 2.62mm EPDM 5 pcs Gasket OD18.5 X ID12.5mm X 2mm 10 pcs<br>O-Ring 23.81mm X 2.62mm EPDM 5 pcs Gasket OD14.5 X ID8.5mm X 2mm 10 pcs<br>Gasket OD 12.5mm x ID 8.5mm Silic. 10 pcs Gasket OD45 X ID33.5mmX2mm EPDM 10 pcs | 640-000-101 |
| 390  | Condensate Drain Trap   | 640-000-073 |
| 400  | Vent Adapters (2 adapters in kit)   | 640-000-107 |
| 410  | Gaskets - Vent Adapter (2 gaskets in kit)   | 640-000-108 |
| 420  | Wall Mount Bracket  | 640-000-044 |
| 430  | Outdoor Temperature Sensor  | 640-000-043 |
| 440  | Heat Exchanger Flow Pipe  | 640-000-091 |
| 450  | CH - Return Pipe  | 640-000-097 |
| 460  | Bypass Pipe   | 640-000-093 |
| 470  | Flow Meter PHE Pipe   | 640-000-099 |
| 480  | DHW Outlet Pipe   | 640-000-096 |
| 490  | Gas Pipe  | 640-000-100 |
| 500  | Heat Exchanger Return pipe  | 640-000-092 |
| 510  | CH Flow Pipe  | 640-000-094 |
| 520  | Gasket - Heat Exchanger Vent  | 640-000-136 |



# 39 Replacement parts *(continued)*

Figure 172 Boiler replacement kits and parts AB-155C Combi



W-T-158



## 39 Replacement parts *(continued)*

**Figure 173** Boiler replacement kits and parts **AB-155H Heating Only**

| <b>Item</b> | <b>Name</b>  | <b>Part Number</b> |
|-------------|--|--------------------|
| 100         | Heat Exchanger                                     | 640-000-118        |
| 110         | Flue Sensor Temperature                            | 640-000-011        |
| 120         | Blower Assembly                                    | 640-000-081        |
| 130         | Blower Gasket                                      | 640-000-021        |
| 140         | Ignitor  | 640-000-109        |
| 150         | Central Heat Exchanger Insulation                  | 640-000-010        |
| 160         | Burner   | 640-000-012        |
| 170         | Burner Gasket Set                                  | 640-000-013        |
| 180         | Burner Cover                                       | 640-000-016        |
| 190         | Inspection Glass                                   | 640-000-015        |
| 200         | Kit - Natural Gas Conversion                       | 640-000-082        |
| 210         | Kit - Liquefied Petroleum (Propane) Gas Conversion | 640-000-133        |
| 220         | Gas Valve VK8205V                                  | 640-000-037        |
| 230         | Water Pressure Switch                              | 640-000-019        |
| 240         | CH Temperature Probe DP                            | 640-000-034        |
| 250         | CH Temperature Probe US                            | 640-000-035        |
| 260         | Relief Valve 3/4"                                  | 640-000-038        |
| 270         | NPT Adapters                                       | 640-000-104        |
| 280         | Gasket Set   | 640-000-102        |
| 290         | Condensate Drain Trap                              | 640-000-073        |
| 300         | Vent Adapters (2 adapters in kit)                  | 640-000-107        |
| 310         | Gaskets - Vent Adapter (2 gaskets in kit)          | 640-000-108        |
| 320         | Wall Mount Bracket                                 | 640-000-044        |
| 330         | Outdoor Temperature Sensor                         | 640-000-043        |
| 340         | CH - Flow Pipe                                     | 640-000-106        |
| 350         | CH - Return Pipe                                   | 640-000-105        |
| 360         | Gas Pipe   | 640-000-100        |
| 370         | Gasket - Heat Exchanger Vent                       | 640-000-136        |



# 39 Replacement parts *(continued)*

Figure 174 Boiler replacement kits and parts AB-155H Heating Only

