

Features

- Adjustable mounting brackets to fit specific installation requirements.
- Elliptical shape makes bars easier to grip.
- Finish coordinates with other KOHLER® and Sterling products.
- 18" (457 mm) long.

Material

- Anodized aluminum construction.

Installation

- Installs from front side of wall.

Components

Additional included component/s: Installation hardware.



Codes/Standards

ASTM F446

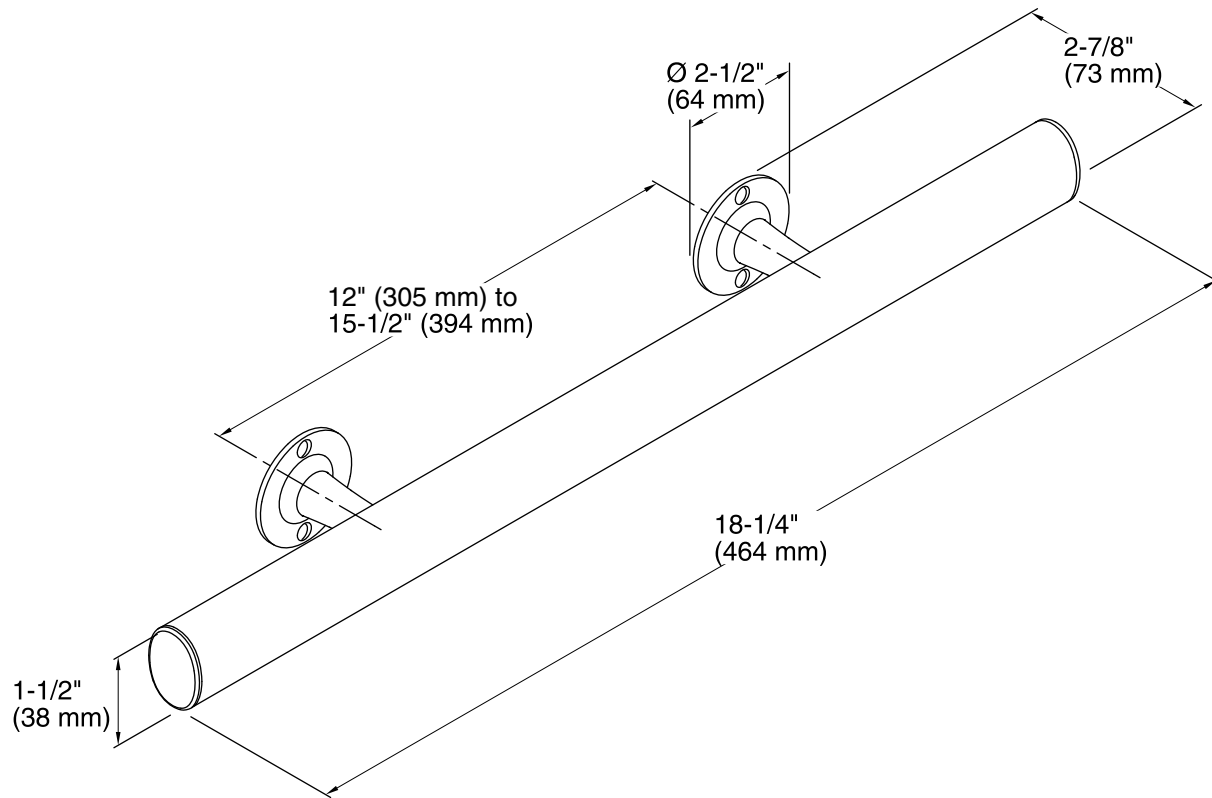
STERLING® Warranty - Grab Bars

See website for detailed warranty information.

Available Color/Finishes

Color tiles intended for reference only.

Color	Code	Description
	N	Nickel
	V	Matte Silver



Technical Information

All product dimensions are nominal.

Notes

Install this product according to the installation guide.

WARNING: Risk of personal injury. Unless properly installed, the grab bar may not adequately support the weight of the user.

Custom Walls – Fasten grab bar directly to studs when possible. If not possible, install a 1" x 6" blocking board to studs prior to installing wallboard and finished wall material.

Sterling Age-in-Place Surrounds – Obtain backer board locations from the specification sheet for your model to select the appropriate grab bar size.