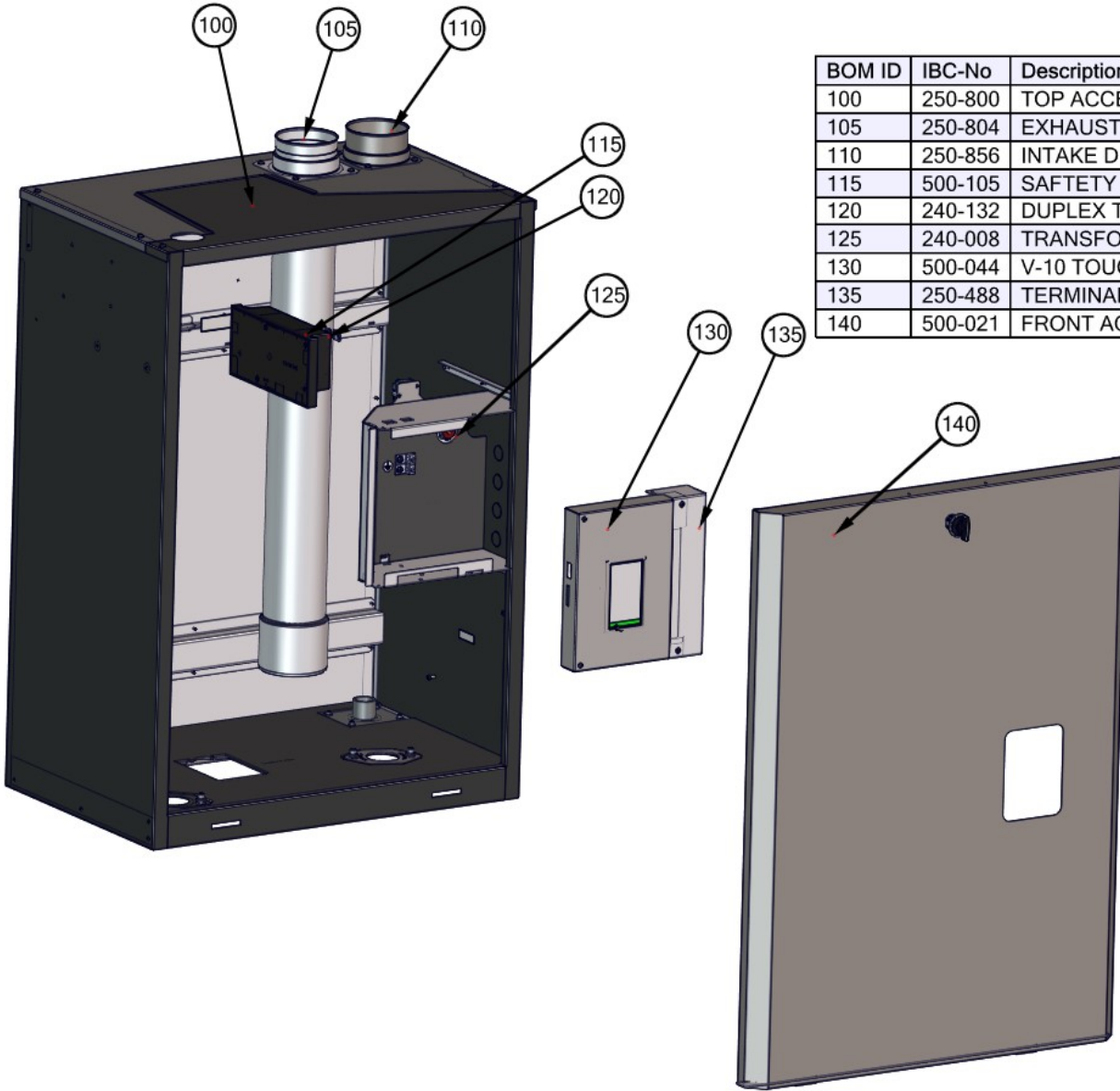


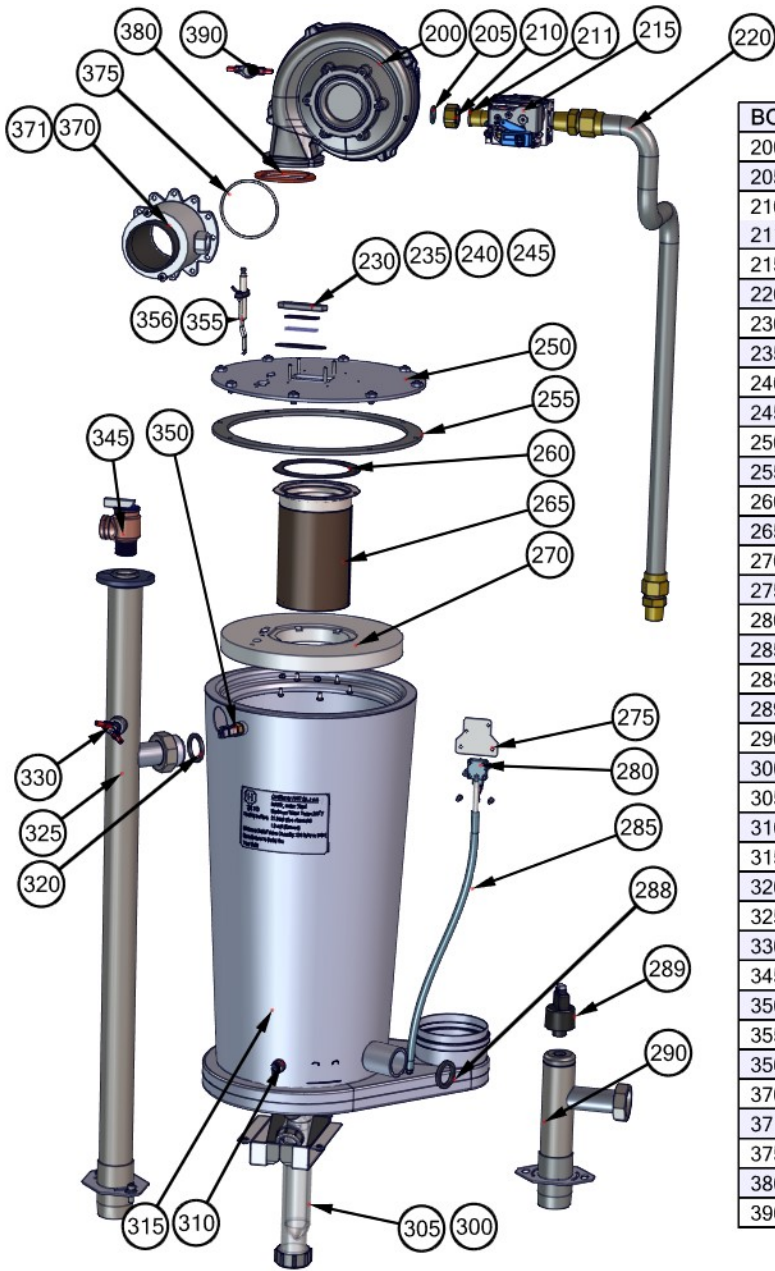
**6.1 PARTS DIAGRAMS**

**SL 26-260 G3 Boiler - Parts assembly**



BOM ID	IBC-No	Description	Qty
100	250-800	TOP ACCESS COVER	1
105	250-804	EXHAUST DUCT	1
110	250-856	INTAKE DUCT	1
115	500-105	SAFTETY IGNITION MODULE	1
120	240-132	DUPLEX TEMPERATURE SENSOR	1
125	240-008	TRANSFORMER	1
130	500-044	V-10 TOUCHSCREEN CONTROLLER	1
135	250-488	TERMINAL BLOCK COVER	1
140	500-021	FRONT ACCESS COVER	1

Diagram 6.1-1: Boiler assembly parts - SL 26-260 G3



BOM ID	IBC-No	Description	Qty
200	240-113	FAN	1
205	250-742	GAS VALVE COUPLER GASKET	1
210	250-741	GAS VALVE COUPLER NUT	1
211	250-768	GAS VALVE COUPLER	1
215	180-166	GAS VALVE	70
220	190-157	GAS LINE PIPE	1
230	250-057	SIGHT GLASS FRAME	1
235	255-025	SIGHT GLASS UPPER GASKET	1
240	250-059	SIGHT GLASS	1
245	255-023	SIGHT GLASS LOWER GASKET	1
250	170-032	HEAT EXCHANGER LID	1
255	255-026	HEAT EXCHANGER GASKET	1
260	255-034	BURNER GASKET	1
265	180-186	BURNER	1
270	250-761	HEAT EXCHANGER REFRACTORY	1
275	250-867	PRESSURE SWITCH BRACKET	1
280	240-138	BLOCKED VENT PRESSURE SWITCH	1
285	190-165	PRESSURE SENSOR TUBE	1
288	255-024	WATER PIPE GASKET	1
289	240-006	WATER PRESSURE SENSOR	1
290	250-258	RETURN WATER PIPE	1
300	250-664	CONDENSATE TRAP RETAINER	1
305	180-013	CONDENSATE TRAP	1
310	240-134	TEMPERATURE SENSOR	1
315	170-032	HEAT EXCHANGER	1
320	250-024	SUPPLY WATER PIPE GASKET	1
325	250-259	SUPPLY WATER PIPE	1
330	240-010	LOW WATER CUTOFF PROBE	1
345	180-005	PRESSURE RELIEF VALVE 30 PSI	1
350	240-133	SUPPLY WATER TEMPERATURE SENSOR	1
355	240-002 or 240-141	IGNITOR	1
356	250-050	IGNITOR GASKET	1
370	180-161	FUEL MIXER NG	1
371	180-162	FUEL MIXER LP	1
375	150-073	MIXER O-RING	1
380	250-322	FAN GASKET	1
390	240-030	VESSEL HIGH-LIMIT SWITCH	1

Some parts are available only in Kits. Please visit [www.ibcboiler.com](http://www.ibcboiler.com) for more information.