

K-28830

In-wall tank and carrier system

Features

- Robust steel frame
- Insulated tank to prevent sweating
- Dual-flush actuator offers a choice of 0.8 or 1.28 gpf (3.0 or 4.8 lpf)
- Large flush actuator plate opening can be removed for easy access to inner tank
- Adjustable height allows bowl to be set from drainage outlet centerline to frame bottom 6-7/16" – 19-13/16" (164 – 503 mm) from floor
- Works with compatible wall-hung bowls and select flush actuator plates to create a complete solution
- Eligible for consumer rebates in some municipalities



Sustainability



Available Colors/Finishes

Color tiles intended for reference only.

NA NA Not Applicable



Codes/Standards

Plumbing codes may require elongated toilets and elongated, open-front seats in public bathrooms.

ASME A112.6.2

ASME A112.19.5/CSA B45.15

ASSE 1002/ASME A112.1002/CSA B125.12

DOE - Energy Policy Act 1992

Technical Information

Flush Type: Washdown

Flush Rate: 0.8 or 1.28 gpf (3.0 or 4.8 lpf)

Pressure/Fixture Supply Requirements

Minimum Flowing Pressure: 15 psi (103.4 kPa)

Minimum Flow Rate: 1 gpm (3.8 l/min)

Recommended Products/Accessories

K-5413 Flush actuator plate for 2"x 4" in-wall tank and carrier system

K-31539 Wall-hung compact elongated toilet, dual-flush

K-8857 Flush actuator plate for 2"x4" in-wall tank and carrier system

K-23251-F Flush actuator plate

K-23252-F Dual-flush actuator plate for 2" x 4" in-wall tank and carrier system

K-75890 Flush actuator plate for 2"x 4" in-wall tank and carrier system

K-78041 Dual-flush touchless actuator plate for 2" x 4" in-wall tank and carrier system

Warranty

See website for detailed warranty information.

KOHLER® Toilets and Seats Limited Warranty

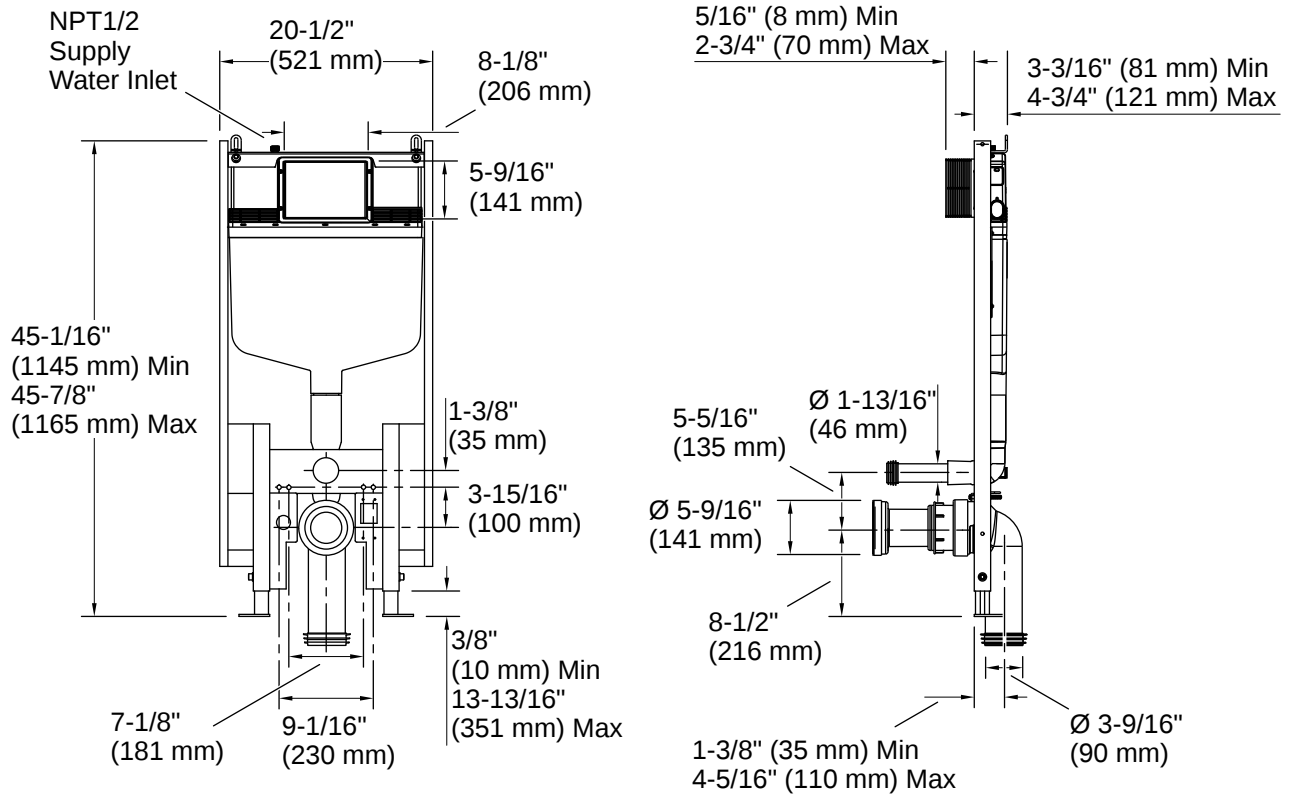


1-800-4KOHLER (1-800-456-4537)

Kohler Co. reserves the right to make revisions without notice to product specifications.

For the most current specification sheet, go to www.kohler.com USA or www.kohler.ca Canada.

3-27-2026 19:21 - US-CA



Installation

- When installed per Kohler installation instructions, the KOHLER in-wall tank and carrier system can support up to 500 lb (226.8 kg) without damage
- Durable steel frame carrier is installed on either 2" x 4" or 2" x 6" studs behind the wall. See installation guide and installation video for more detailed information
- Requires electrical box kit when pairing bidet seat with bowl (sold separately)
- Supply line sold separately

Installation Notes

Install this product according to the installation instructions.

