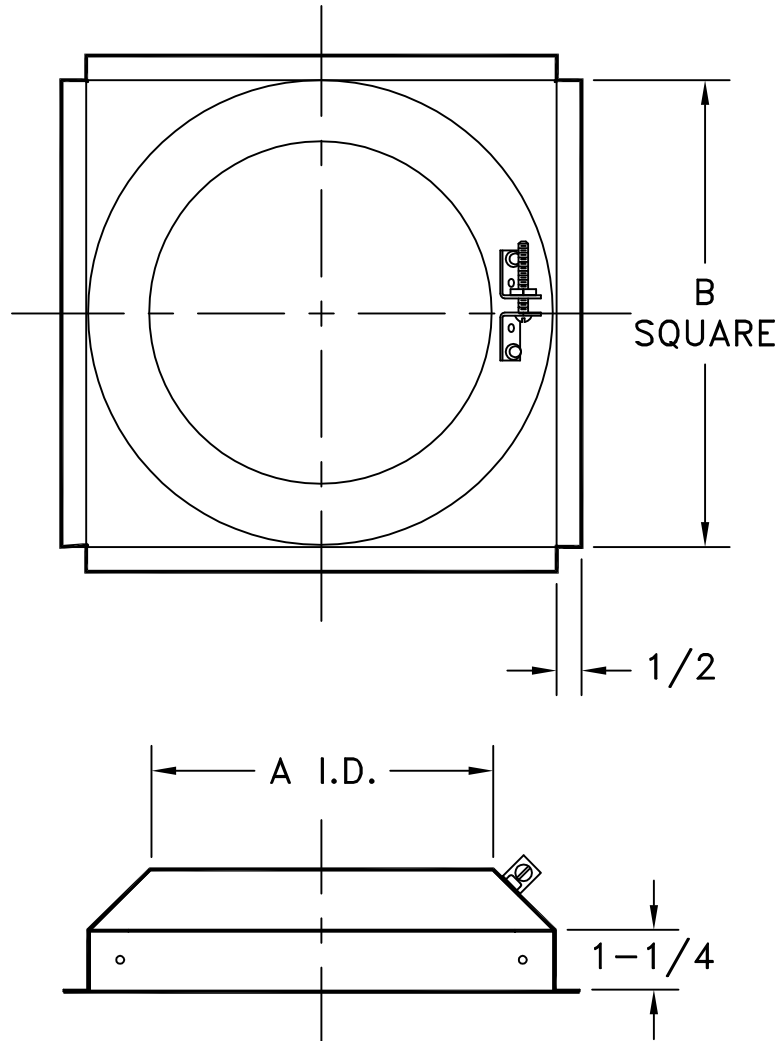


- MATERIAL:
 COLLAR - .018 THICK, G-90 GALVANIZED STEEL
 PLATE - .040 THICK, G-90 GALVANIZED STEEL
- SUPPORTS 60 FEET OF VENT PIPE



CAT. NO.	A I.D.	B O.D.
3RSA	3-1/4	5-5/8
4RSA	4-1/4	6-5/8
5RSA	5-1/4	7-5/8
6RSA	6-1/4	8-5/8
7RSA	7-5/8	10-1/8
8RSA	8-5/8	11-1/8
10RSA	10-5/8	13-1/8
12RSA	12-5/8	15-1/8

JOB NAME: _____	SUBMITTED BY: _____	DATE: 4/17/00	SD-3124
LOCATION: _____		Type B Gas Vent	
ARCHITECT: _____		Support Assembly	
ENGINEER: _____		RSA	
CONTRACTOR: _____		3" - 12" Diameter	