



# Components® | K-77990-4

Deck-mount bath faucet handles with Lever design

## Features

- Two Lever handles offer separate control of hot and cold water
- KOHLER® ceramic disc valves exceed industry longevity standards for a lifetime of durable performance
- Coordinate with your choice of Components bath spouts for a personalized design
- Coordinates with Components faucets, accessories, and showering components to complete your bathroom



## Available Colors/Finishes

*Color tiles intended for reference only.*

- CP Polished Chrome
- SN Vibrant Polished Nickel
- AF Vibrant French Gold
- BN Vibrant Brushed Nickel
- BV Vibrant Brushed Bronze
- BL Matte Black
- 2MB Vibrant Brushed Moderne Brass
- TT Vibrant Titanium
- BGP Vibrant Brushed Graphite



1-800-4KOHLER (1-800-456-4537)  
Kohler Co. reserves the right to make revisions without notice to product specifications.  
For the most current specification sheet, go to [www.kohler.com](http://www.kohler.com) USA or [www.kohler.ca](http://www.kohler.ca) Canada.  
4-15-2026 4:26 - US-CA

THE BOLD LOOK  
OF **KOHLER**®

## Codes/Standards

ADA, OBC, CSA B651 compliant when installed to the specific requirements of these regulations.

ADA CSA B651 OBC

ASME A112.18.1/CSA B125.1

ADA

ICC/ANSI A117.1

CSA B651

OBC

## Technical Information

All product dimensions are nominal.

### Handle

Handle Style/ Type: Lever

## Valves

Included Valves: Thermostatic, Volume Control

## Material

- Premium metal construction for durability and reliability
- KOHLER finishes resist corrosion and tarnishing

## Recommended Products/Accessories

K-78383 Vertical toilet paper holder

K-78384 Covered double toilet paper holder

K-23723 Faucet cleaner

K-78372 18" towel bar

K-78379 Double towel arm

K-78373 24" towel bar

K-78375 Double towel bar

K-78377 Towel arm

K-78378 Robe hook

K-78382 Pivoting toilet paper holder

## Required Products/Accessories

- K-77986 Deck-mount bath spout with Ribbon design
- K-77985 Deck-mount bath spout with Tube design

## Warranty

See website for detailed warranty information.

KOHLER® Faucet Lifetime Limited Warranty

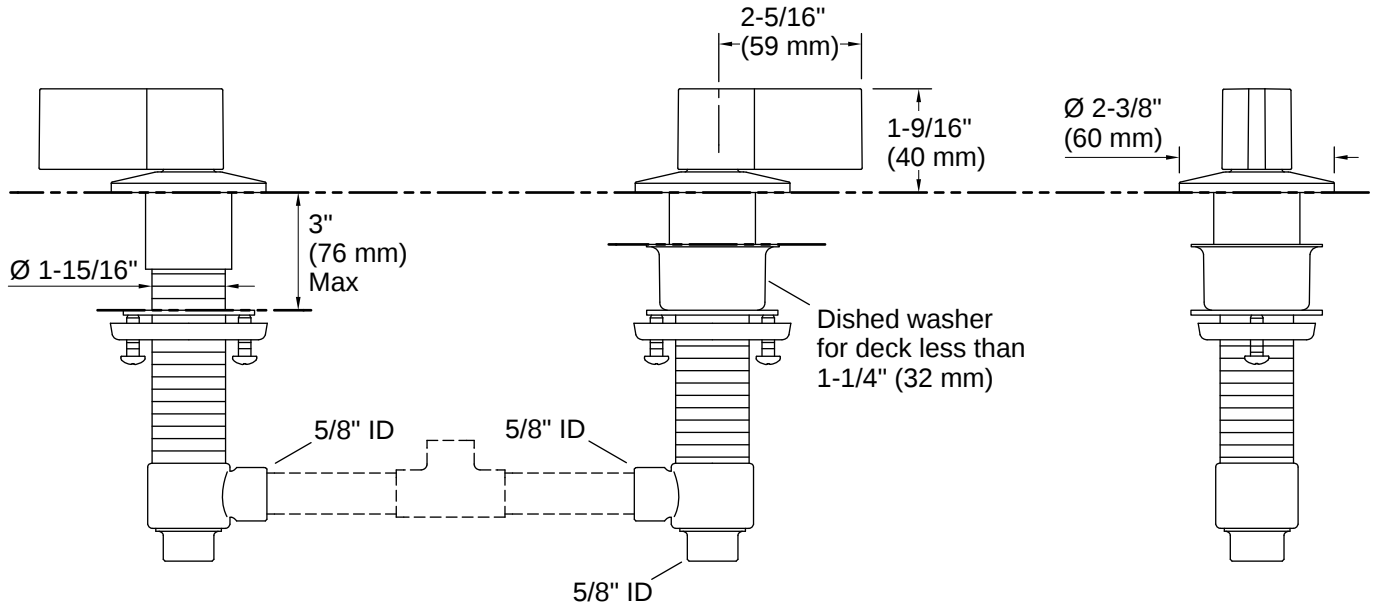


1-800-4KOHLER (1-800-456-4537)

Kohler Co. reserves the right to make revisions without notice to product specifications.

For the most current specification sheet, go to [www.kohler.com](http://www.kohler.com) USA or [www.kohler.ca](http://www.kohler.ca) Canada.

4-15-2026 4:26 - US-CA



## Installation

- Deck-mount
- Valves included

## Installation Notes

*Install this product according to the installation instructions.*

ADA compliant for handles only.  
ADA, OBC, CSA B651 compliant when installed to the specific requirements of these regulations.

