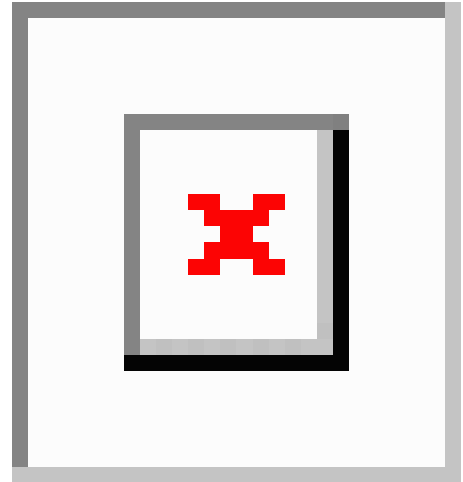


Features

- KOHLER ceramic disc valves exceed industry longevity standards over two times for a lifetime of durable performance.
- Premium material construction for durability and reliability.
- KOHLER finishes resist corrosion and tarnishing, exceeding industry durability standards over two times.
- Easier installation with the integral diverter on the valve.
- Provides a cleaner deck environment and reduces cost.
- Completes Devonshire design solution with KOHLER® fixtures and accessories.

Required Accessories

K-438-K High-flow Valve System with Diverter



For complete listing of available colors, go to kohler.com.

ADA

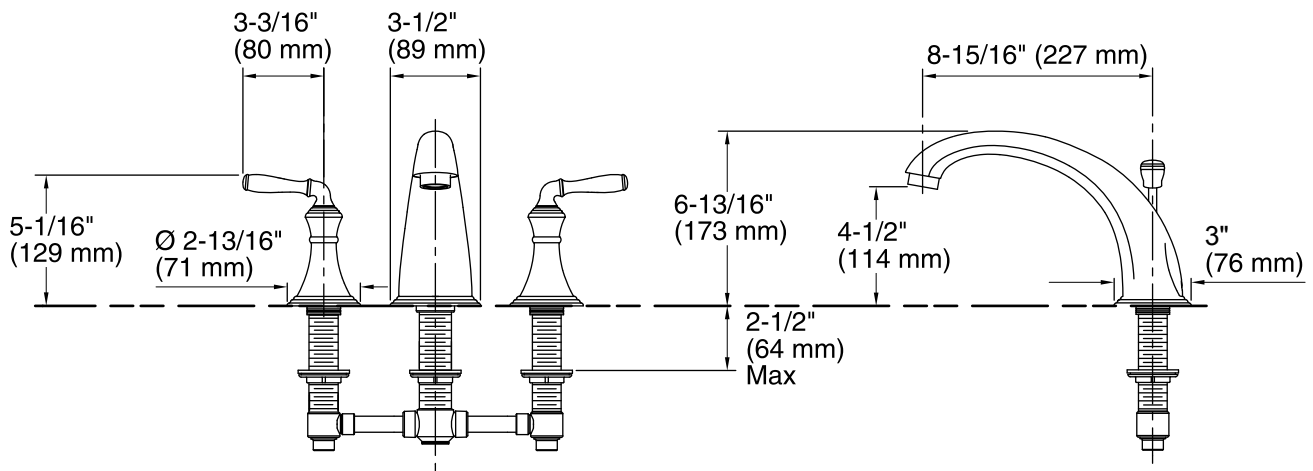
Codes/Standards

ADA

See website for detailed warranty information.

Product Specification

Two-handle bath- or deck-mount bath faucet trim shall be of brass construction. Bath faucet trim shall install to bath or finished deck. Bath faucet trim shall include a 9" (229 mm) high-arch spout with slip-fit connection and diverter knob. Bath faucet trim shall include lever handles. Bath faucet trim shall be Kohler Model K-T387-4.



Technical Information

All measurements are nominal.

Pressure: 45 psi (3.1 bar)

Installation Notes

Install this product according to the installation guide.

ADA compliant when installed to the specific requirements of these regulations.