

### Features

- Brass construction.
- One-piece, self-contained ceramic disc valve allows both volume and temperature control.
- Temperature memory allows faucet to be turned on and off at any temperature setting.
- High-temperature limit setting for added safety.
- Single-hole mounting.
- 6-1/4" (159 mm) spout reach.
- Straight handle.
- Touch-activated drain with tailpiece and no overflow.
- 1.5 gal/min (5.7 l/min) maximum flow rate [max at 60 psi (4.14 bar)].



For complete listing of available colors, go to [kohler.com](http://kohler.com).



### Codes/Standards

ASME A112.18.1/CSA B125.1

NSF 61

NSF 372

DOE - Energy Policy Act 1992

EPA WaterSense®

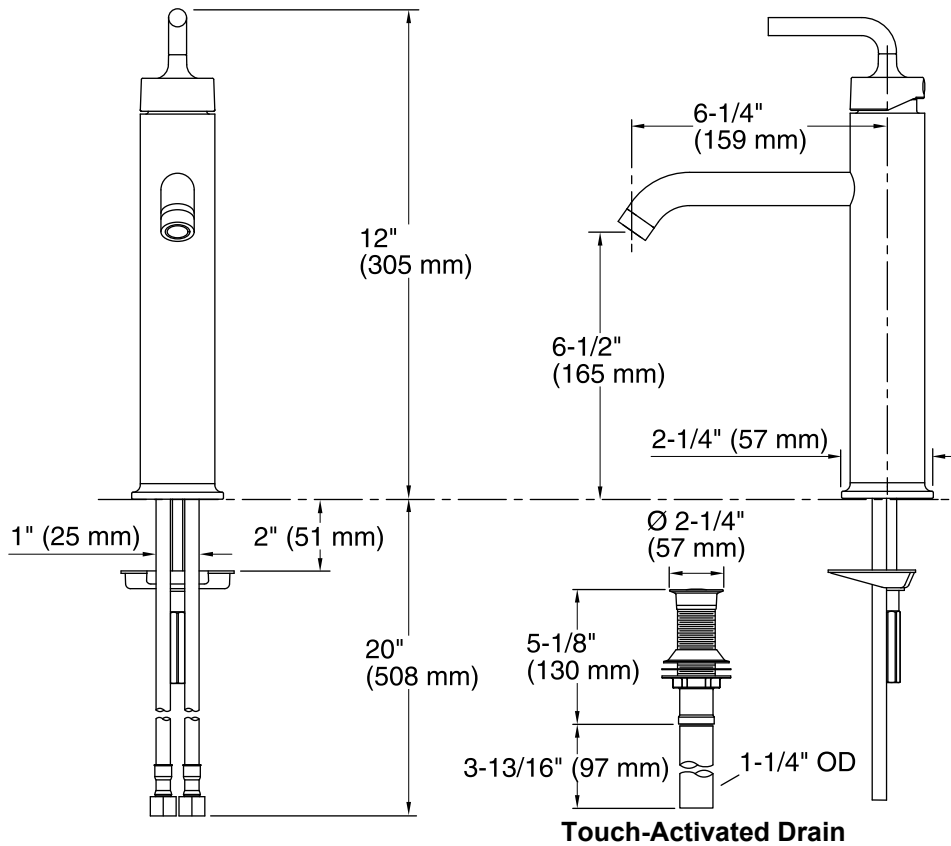
All applicable US Federal and State material regulations

### KOHLER® Faucet Lifetime Limited Warranty

See website for detailed warranty information.

### Product Specification

Bathroom sink faucet shall be 6-1/4" (159 mm) spout reach and 6-1/2" (165 mm) spout outlet height. Bathroom sink faucet shall be brass construction. Bathroom sink faucet shall be straight handle. Bathroom sink faucet shall be touch-activated drain with tailpiece. Bathroom sink faucet shall be single-hole installation. Bathroom sink faucet shall be KOHLER Model K-14404-4A.



## Technical Information

All measurements are nominal.

Spout reach: 6-1/4" (159 mm)

Drain included: YES

Drain tailpiece included: YES

### Faucet:

Flow rate: 1.5 gal/min (5.7 l/min)

Pressure: 60 psi (4.1 bar)

## Installation Notes

Install this product according to the installation guide.