

Parts List



Installation Fittings, 7134 851

VITOROND 100 VR1 Series

for use with Vitotronic control only!

Model No.	Serial No.
VR1-22	7249048□□□□□□□□
VR1-27	7249049□□□□□□□□
VR1-33	7249050□□□□□□□□

Ordering Replacement Parts:

Please provide boiler Model and Serial Number from rating plate when ordering replacement parts. Order replacement components from your Viessmann distributor.

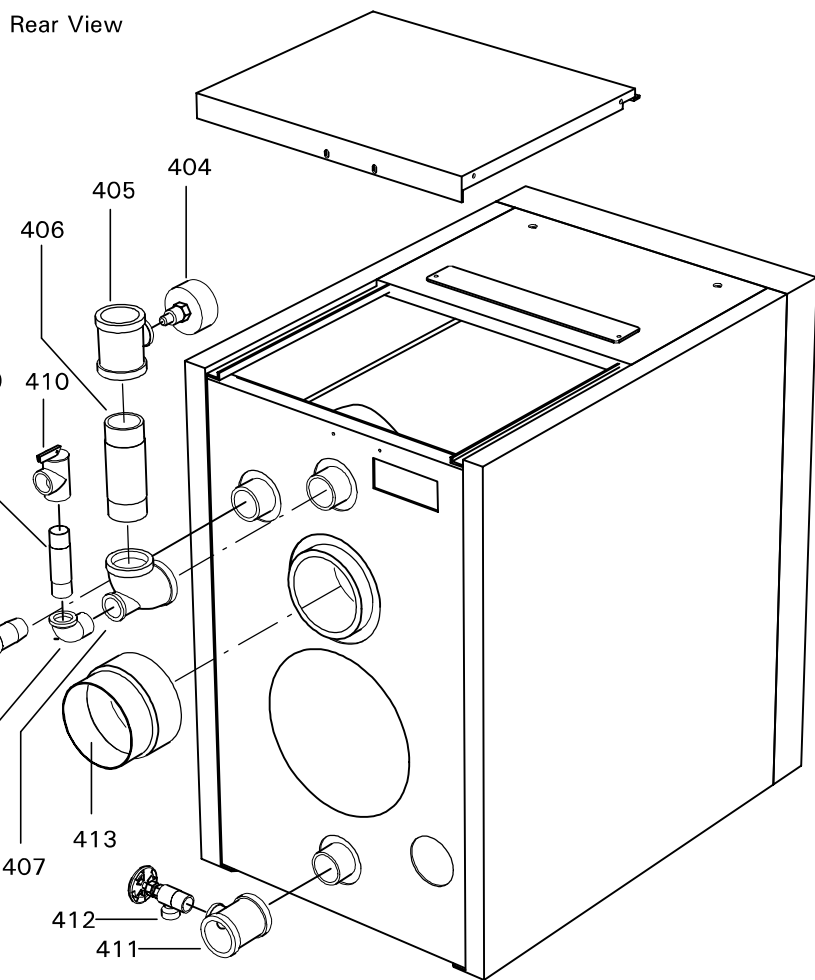
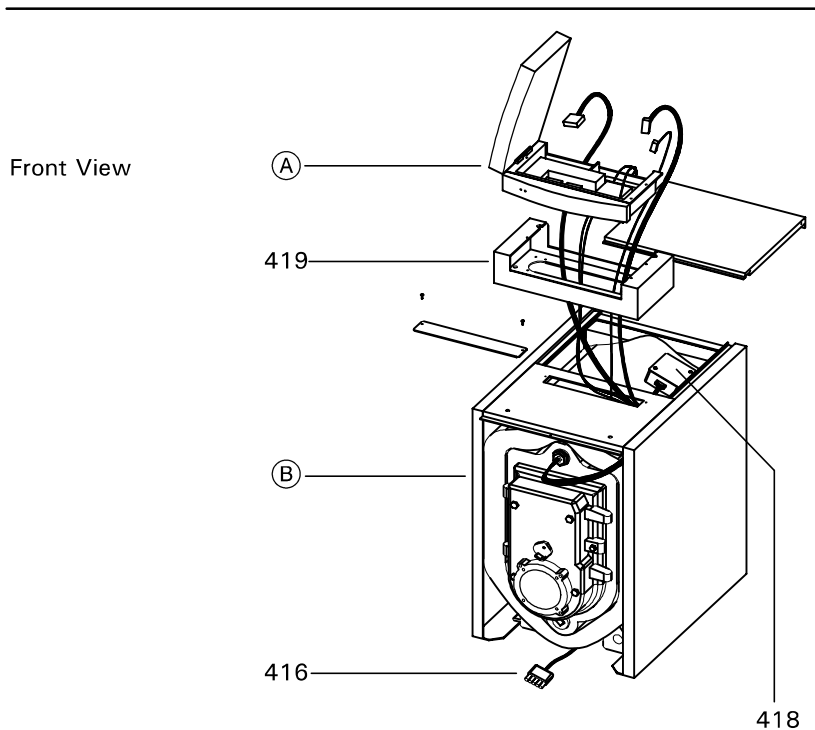
Parts

- 404 Temperature and pressure gage
- 405 Reduction tee, 1 1/2" x 1 1/2" x 1/2"
- 406 Nipple, 1 1/2" x 5"
- 407 Reduction tee, 1 1/2" x 3/4" x 1 1/2"
- 408 90° Street elbow, 3/4"
- 409 Nipple, 3/4" x 3 1/2"
- 410 Pressure relief valve, 30 psig
- 411 Reduction tee, 1 1/2" x 1 1/2" x 3/4"
- 412 Sediment faucet
- 413 Vent pipe adaptor, 5"
- 414 Return injector, 1 1/2"
- 416 Control cable
- 418 Junction box
- 419 Vitotronic retrofit housing

Other Parts (not illustrated)

- 415 Burner cable
- 417 Accessory pack
(burner installation hardware)
- 420 Coding plug "F1"
- 500 Installation, Operation
and Service Instructions
- 501 Installation Instructions,
Direct Vent
- 502 Warranty Sheet
Cast-Iron, Residential
- 503 Parts List

- (A) Vitotronic control
see separate Parts List
- (B) Vitorond boiler
see separate Parts List



Please file in Service Binder