

Basket Strainer

304 Stainless / Brushed Stainless Steel Sink Strainer

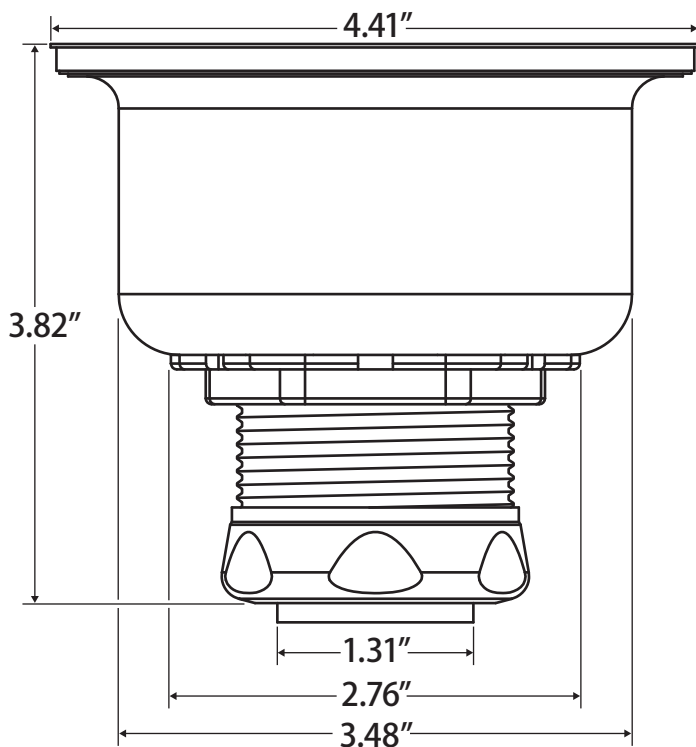


SS-306 Snap-N-Loc®



Clamshell Package

As one of Jomar's more popular basket strainers, the Snap-N-Loc® is known for its original spring-loaded ball-bearing design that snaps perfectly into place, creating a positive leak-proof seal every time. This popular strainer is constructed with a high grade 316 stainless steel deep-cup body, ball-bearing, and basket. It also comes standard with a heavy forged brass tail-nut. As one of the most preferred basket strainers on the market it is offered in two additional configurations.



No.	Materials		
	300-006	300-008	300-017CLAM*
1	Handle		
2	Strainer Basket		
3	Body		
4	Rubber Washer		
5	Cup		
6	Lock Nut		
7	Seal Ring		
8	Tail Nut		
		Chrome Plated Brass	
		SS304	Brushed SS304
		Polished SS304	Brushed SS304
		BUNA-N	
		Galvanized Steel	
	Zinc		Brass
		Polyethylene	
		Brass	

*Sold in a clamshell package shown above
Note: All models include friction ring