

Features

- Set of two legs
- Includes a towel rail
- Integrated leveling feature

Material

- Solid brass

Required Products/Accessories

K-2259-1 Pedestal/Console Table Bathroom Sink

or

K-2259-8 Pedestal/Console Table Bathroom Sink

Recommended Products/Accessories

K-2239-1 Pedestal/Console Table Bathroom Sink

K-2239-4 Pedestal/Console Table Bathroom Sink

K-2239-8 Pedestal/Console Table Bathroom Sink

K-23723 Faucet cleaner



Codes/Standards





None Applicable

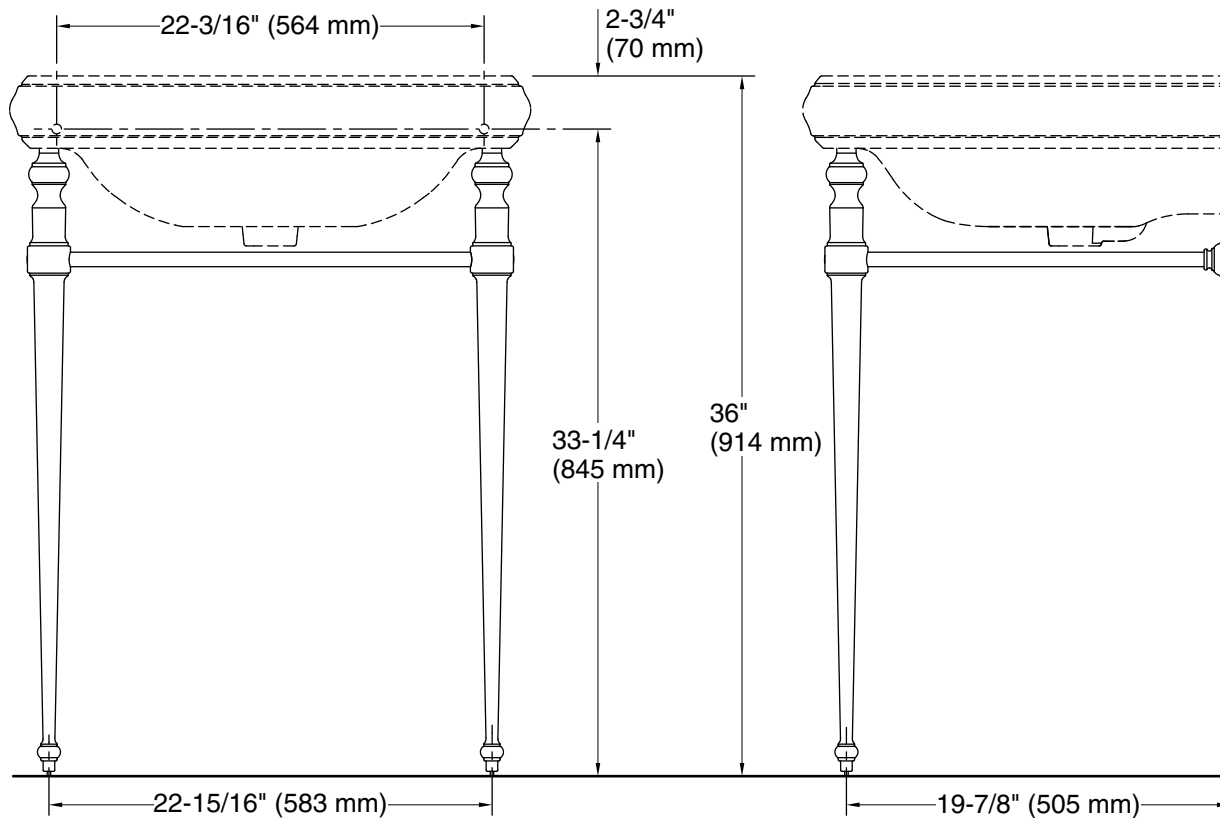
KOHLER® One-Year Limited Warranty

See website for detailed warranty information.

Available Colors/Finishes

Color tiles intended for reference only.

Color	Code	Description
	CP	Polished Chrome
	BN	Vibrant® Brushed Nickel
	BV	Vibrant® Brushed Bronze
	2BZ	Oil-Rubbed Bronze



Technical Information

All product dimensions are nominal.

Material: Brass

Notes

Install this product according to the installation instructions.