



Underscore® | K-5715

65-1/2" x 35-3/4" drop-in bath

Features

- Integral lumbar support
- Oval basin creates a spacious bathing experience
- Slotted overflow allows for deep soaking



Available Colors/Finishes

Color tiles intended for reference only.

- 0 White
- 96 Biscuit
- 95 Ice Grey
- 7 Black Black



1-800-4KOHLER (1-800-456-4537)
Kohler Co. reserves the right to make revisions without notice to product specifications.
For the most current specification sheet, go to www.kohler.com USA or www.kohler.ca Canada.
4-15-2026 5:14 - US-CA

THE BOLD LOOK
OF **KOHLER**

Codes/Standards

CSA B45.5/IAPMO Z124

Technical Information

All product dimensions are nominal.

Drain Location:	Center
Drain Hole Diameter:	2-3/16" (56 mm)
Basin Area, Bottom:	47" x 26-1/4" (1193 mm x 666 mm)
Basin Area, Top:	61-3/16" x 28-3/8" (1554 mm x 721 mm)
Water Depth:	17-9/16" (446 mm)
Water Capacity:	85.5 gal (323.7 L)
Minimum Floor Load:	51.7 lbs/ft ²
Weight:	90 lbs (40.8 kg)

Material

- Acrylic
-

Recommended Products/Accessories

K-23726 Drain treatment
K-23732 Tub & shower cleaner
K-883 Undermount installation kit

Required Products/Accessories

- K-7271 Slotted overflow brass bath drain
- or
- K-7272 Slotted overflow bath drain
-

Warranty

See website for detailed warranty information.

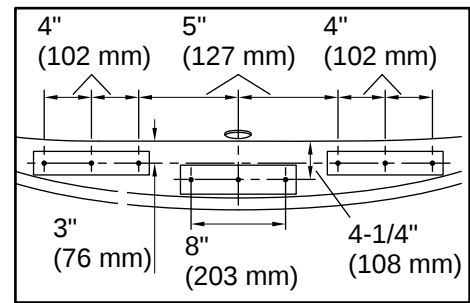
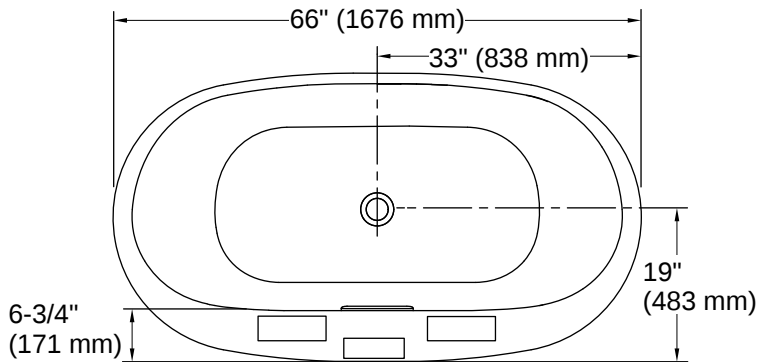
KOHLER® Plastic Baths and Shower Bases Lifetime Limited Warranty



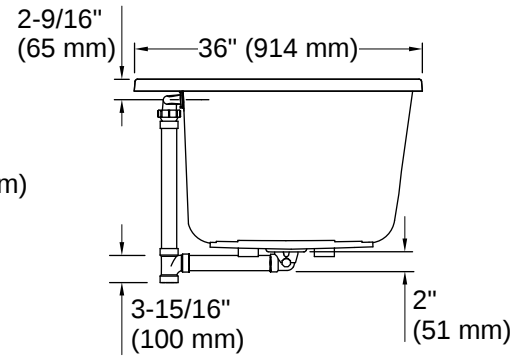
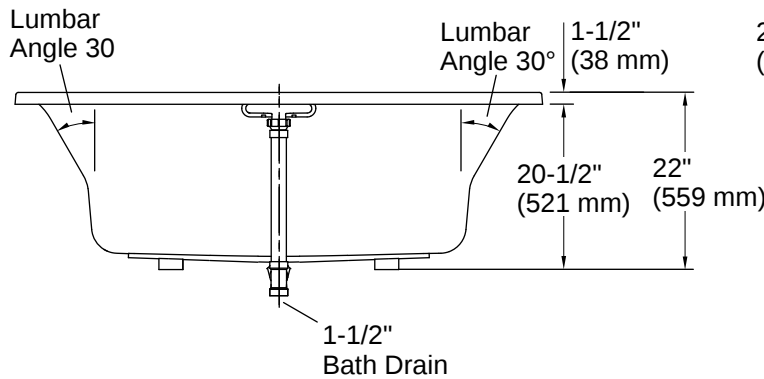
1-800-4KOHLER (1-800-456-4537)
Kohler Co. reserves the right to make revisions without notice to product specifications.
For the most current specification sheet, go to www.kohler.com USA or www.kohler.ca Canada.
4-15-2026 5:14 - US-CA

No change in measurements if connected with drain illustrated. (K-7272)

☐ Recommended Faucet Location



Recommended Faucet Hole Location



Installation

- Requires Clearflo slotted overflow bath drain (sold separately)
- Center drain
- Drop-in or undermount

Installation Notes

Install this product according to the installation instructions.

Measure your actual product for rough-in details.

The hot water supply should be 70% of the capacity of the bath or greater. Installations will vary.

If installing a rim-mount faucet, make sure there is no interference above or below the deck before drilling any holes.

