



Finesse™ Peak®

Frameless sliding shower door
547808-48

Features

- Frameless.
- 5/16" (8 mm) thick tempered glass.
- CleanCoat® technology creates a protective barrier that repels water, prevents dirt and minerals from collecting, and makes it easier to remove hard water spots.
- Vertical blade handles complete the look of this door.

Material

- Stainless steel hardware prevents rust and corrosion.

Technology

- Tempered glass ensures maximum safety and durability.

Installation

- Out-of-plumb adjustability simplifies installation.
- Not for use in hospitality.
- For residential use only.

Recommended Products/Accessories

K-23723 Faucet cleaner

Included Components

Additional Components:
Hardware kit







Codes/Standards

ANSI Z97.1
CPSC 16CFR 1201

See website for detailed warranty information.

Available Colors/Finishes

Color tiles intended for reference only.

Color	Code	Description
	DR	Deep Bronze
	N	Nickel
	PBL	Matte Black
	S	Silver

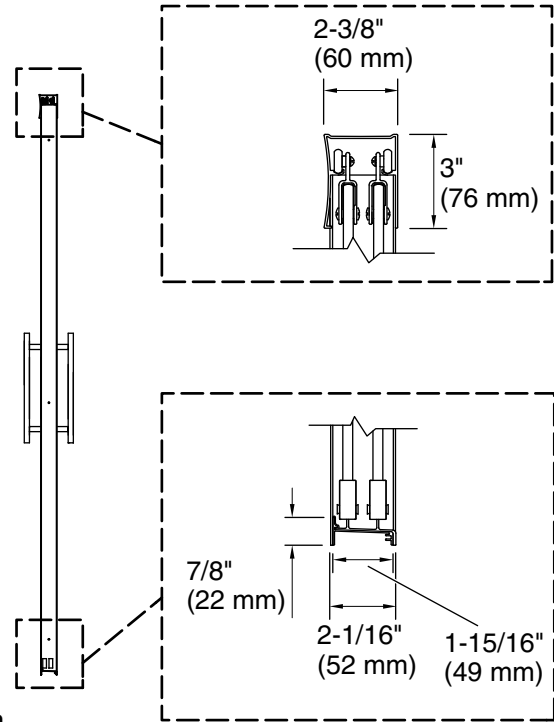
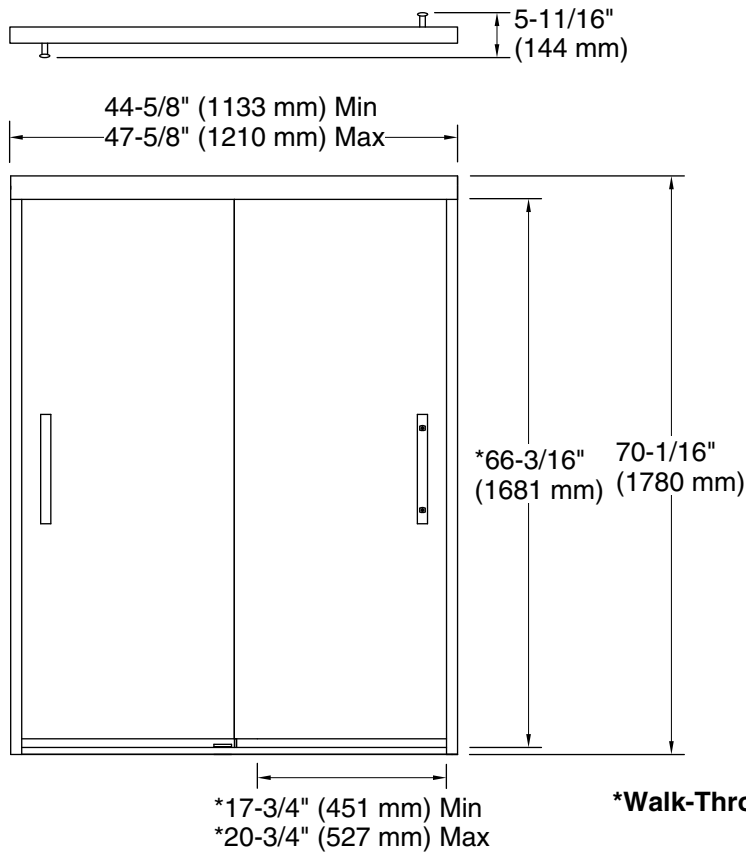
Available Glass Options

Code	Description
G05	Clear
G03	Frosted

1-800-STERLING (1-800-783-7546)

Kohler Co. reserves the right to make revisions without notice to product specifications.

For the most current Specification Sheet, go to www.sterlingplumbing.com.



Technical Information

All product dimensions are nominal.

- Installation type: For shower base installation
- Opening style: Sliding/Bypass
- Opening Width - Min: 44-5/8" (1133 mm)
- Opening Width - Max: 47-5/8" (1210 mm)
- Walk-through - Min: 17-3/4" (451 mm)
- Walk-through - Max: 20-3/4" (527 mm)
- Base-To-Wall Radius - Max: 5/8" (16 mm)
- Glass thickness: 5/16" (8 mm)
- Glass coating: CleanCoat®

Notes

Install this product according to the installation guide.

NOTICE: The vertical opening should be a minimum of 72" (1829 mm) to allow clearance for installation.