

## Features

- Rounded glass shades join pristinely with decorative mounts, creating an elegant simplicity
- Height adjustable from 20-15/16" (532 mm) to 57" (1448 mm)
- Requires bulbs with medium (E26) base; type T10, T12, B10, or A19 bulbs recommended (sold separately)
- Suitable for damp locations, per UL 1598
- Suitable for sloped ceiling installations not to exceed 15°
- Includes installation hardware
- Coordinates with other products in the Crue collection

## Material

- Manufactured with quality materials and complemented with a meticulous finishing process
- Durable finishes engineered to last and designed to coordinate with KOHLER faucet finishes



## Codes/Standards


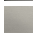



UL 1598  
CSA C22.2 No. 250.0

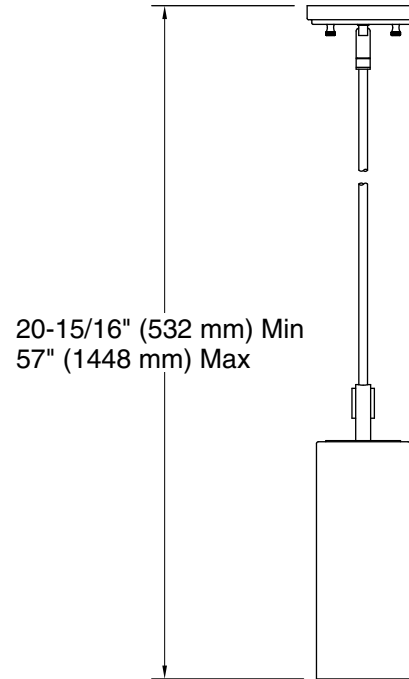
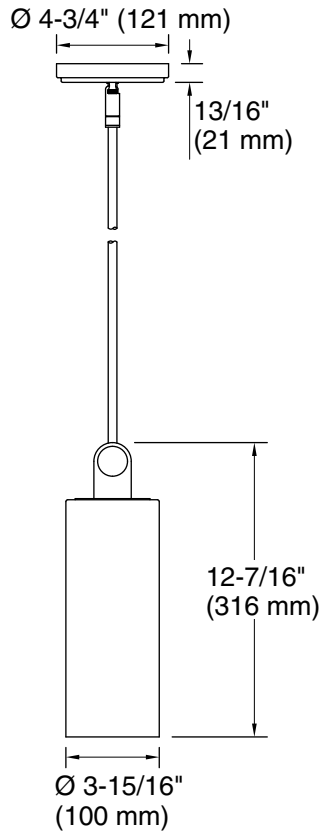
## KOHLER® Indoor Lighting Fixtures Limited Warranty

See website for detailed warranty information.

## Available Colors/Finishes

*Color tiles intended for reference only.*

Color	Code	Description
	TTL	Titanium
	BNL	Brushed Nickel
	CPL	Polished Chrome
	BLL	Matte Black
	2GL	Brushed Moderne Brass



## Required Electrical Service

One circuit required.

120 V, 0.5 A, 60 Hz

## Technical Information

All product dimensions are nominal.

Material:	Steel, Glass, Aluminum, Brass
Number of Lights:	1
Lighting Type:	Socket-based
Socket Type:	E-26 Medium
Number of Shades:	1
Shade Type:	Clear Glass
Hanging Type:	Downrod
Downrod Detail:	3 x 12" (305 mm), 1 x 6" (152 mm)
Height:	20-15/16" (532 mm) - 57" (1447 mm)

## Notes

Install this product according to the installation instructions.