

Item Code and Description

- a. CD1290-CH (AKW item code: 25402)
- b. TrueDEK Classic Drain in chrome over stainless steel

General Product Description

- a. drain assembly for tiled showers
- b. fits TrueDEK Classic shower foundations
- c. includes drain assembly, drain connector, and drain gasket

Physical Characteristics

- a. grate and frame made of SAE grade 304 stainless steel
- b. grate and frame have PVD chrome coating
- c. adaptor, clamping ring, lock key, and height adjustment collar made of ABS plastic
- d. all hardware for installation is stainless steel (included)
- e. includes a leverage key to remove grate
- f. weep holes in height adjustment collar
- g. taller height adjustment collar available (to match thicker tile)
- h. drain gasket made of nonwoven polyester
- i. drain gasket dimensions: 13" × 13" with pre-punched 5½" dia. hole
- j. drain gasket thickness: approximately .65mm
- k. drain gasket color: white
- l. printed surface of drain gasket indicates "this side up"
- m. shower drain connector made of PVC (Sioux Chief model 825)

Performance Characteristics

- a. adjust elevation of grate and frame to match tile from ¼" to ⅝" thick
- b. taller height adjustment collar accommodates tile up to 1" thick
- c. weep holes provide secondary drainage
- d. drain connector clamps to bottom flange of adaptor
- e. solvent weld drain connector to 2" dia. drain line
- f. suitable for a maximum water flow rate of 6 to 7 gallons/minute; consult a professional plumber for an accurate calculation of drainage requirements; a typical shower head uses 1.5 to 2.5 gallons/minute
- g. clamping ring engages drain gasket to complete a mechanical waterproofing connection that covers drain assembly joints outside of actual drain channel
- h. embed drain gasket to drain adaptor and shower foundation for a waterproof seal

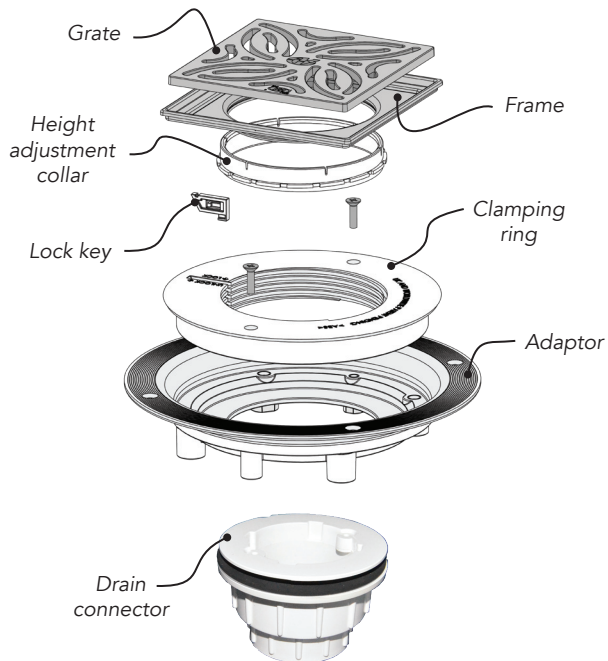
Compliance

- a. ICC PMG-1222 lists compliance with:
 - 1. 2015, 2012 and 2009 International Residential Code® (IRC)
 - 2. 2015, 2012 and 2009 International Plumbing Code® (IPC)
 - 3. 2015, 2012 and 2009 Uniform Plumbing Code® (UPC)
 - 4. 2010 and 2005 National Plumbing Code of Canada (NPC)
 - 5. ASME A112.18.2/CSA B125.2-2011, Plumbing Waste Fittings



Other Information

- a. AKW limited lifetime warranty on drain assembly
- b. Sioux Chief limited lifetime warranty on drain connector



For drain connector specifications, please see item code DC5500-PVC.

