

Features

- Patented K-joint installation ensures consistent trim appearance, regardless of variability in valve rough-in
- Ergonomic lever handle is ADA-compliant
- Trim requires valve to complete
- KOHLER finishes resist corrosion and tarnishing, exceeding industry durability standards over two times

Required Accessories

K-2974-K 1/2 Volume Control Valve

or

K-2977-K 3/4" Volume Control Valve



For complete listing of available colors, go to kohler.com.

ADA

Codes/Standards

ASME A112.18.1/CSA B125.1

ADA

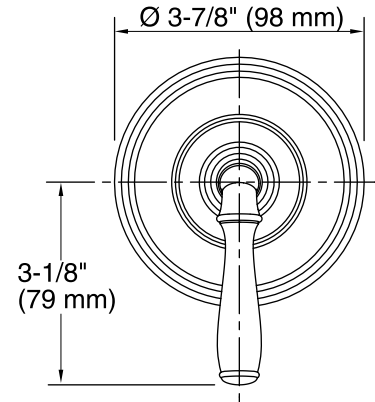
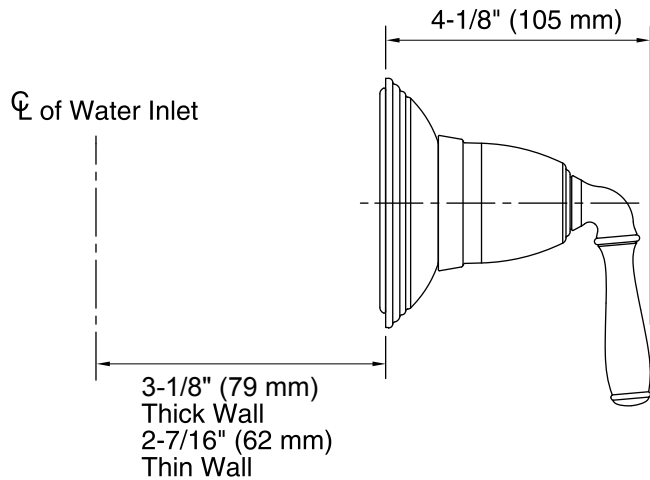
ICC/ANSI A117.1

Kohler Faucet Lifetime Limited Warranty

See website for detailed warranty information.

Product Specification

The volume control valve trim shall be of brass construction. Trim shall include front seal plate assembly with lever handle. Trim shall complement the Devonshire Suite. Volume control valve trim shall be Kohler Model K-T10358-4.



K-T10358

Technical Information

All measurements are nominal.

Pressure: 45 psi (3.1 bar)

Installation Notes

Install this product according to the installation guide.

ADA compliant when installed to the specific requirements of these regulations.