



## 14" Rough-in Full Skirt Trap and Attachment System K-5381

### Features

- 14" (356 mm) rough-in
- Converts standard 12" (305 mm) rough-in products to 14" (356 mm) configuration
- Plastic trapway
- For use with the K-3981 Tresham one-piece toilet



### Codes/Standards

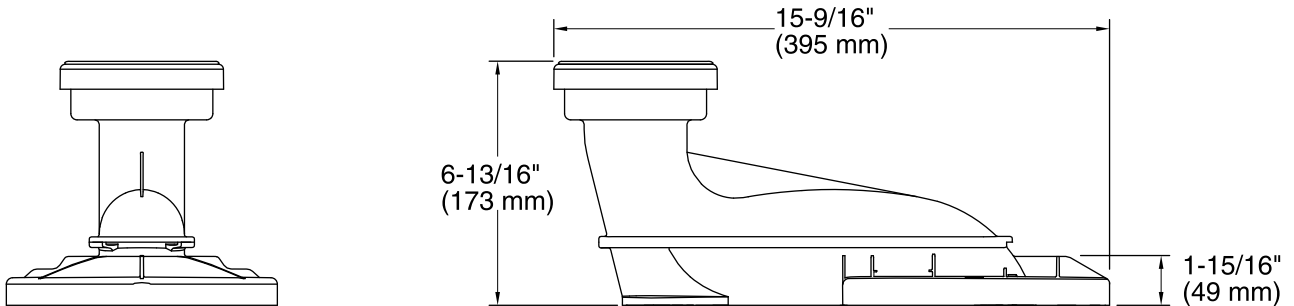
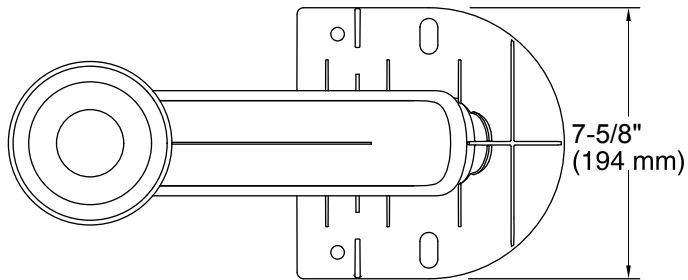
ASME A112.19.2/CSA B45.1

### KOHLER® One-Year Limited Warranty

See website for detailed warranty information.



# 14" Rough-in Full Skirt Trap and Attachment System K-5381



## Technical Information

All product dimensions are nominal.

Rough-in: 14" (356 mm)

## Notes

Install this product according to the installation instructions.