

Features

- For use with valves with a diverter
- Complements Pinstripe® Suite
- Lever handle
- Requires a Rite-Temp® pressure-balancing valve
- 6-7/8" (175 mm) non-diverter spout with 1/2" NPT connection

Material

- Premium material construction

Installation

- Wall-mount

Required Accessories

Option 1

K-11748-K Pressure-Balancing Valve With Diverter Less Stops

or

Option 2

K-11748-KS Pressure-Balancing Valve With Diverter and Stops



For complete listing of available colors, go to kohler.com.

Codes/Standards

ASME A112.18.1/CSA B125.1

ASSE 1016

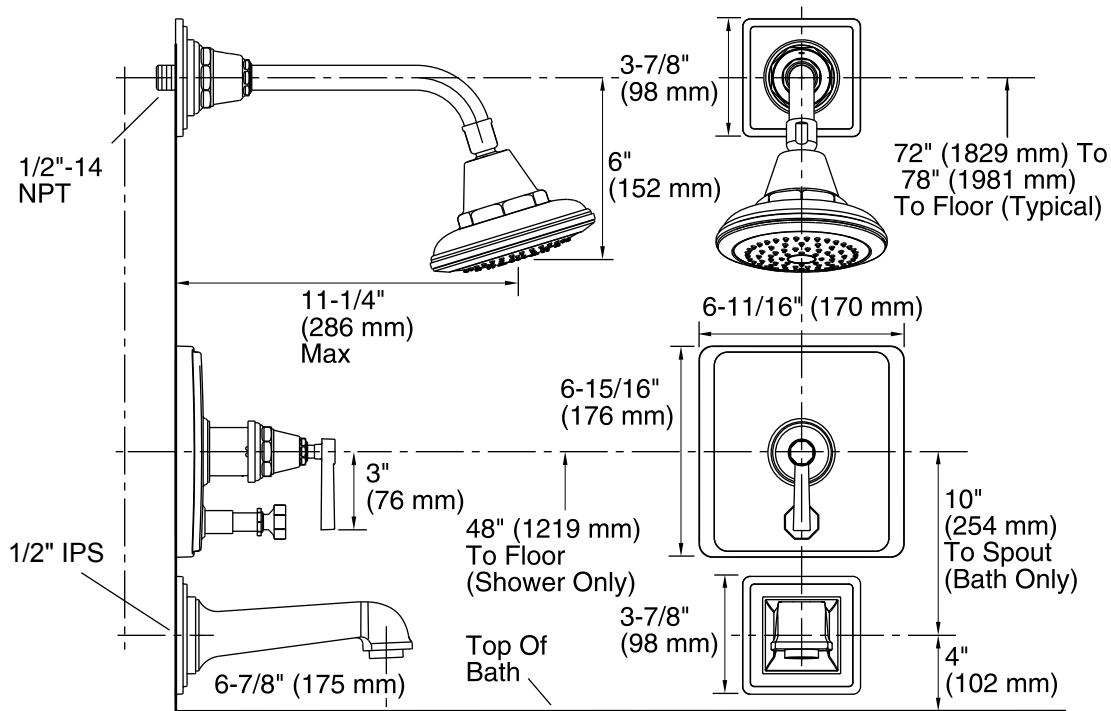
DOE - Energy Policy Act 1992

KOHLER® Faucet Lifetime Limited Warranty

See website for detailed warranty information.

Product Specification

Bath and shower trim shall be of premium material construction. Bath and shower trim shall feature push-button diverter and 6-7/8" (175 mm) non-diverter spout with 1/2" NPT connection. Bath and shower trim shall feature lever handle. Bath and shower trim shall be KOHLER model K-T13133-4A.



Technical Information

All measurements are nominal.

Pressure: 45 psi (3.1 bar)

Installation Notes

Install this product according to the installation guide.

Avoid cross-flow conditions. Do not install shut-off device on either valve outlet.

Cap the shower outlet if deck-mount spout, diverter, or handshower is connected to the spout outlet.

Install straight pipe or tube drop of 7" (178 mm) to 18" (457 mm) with single elbow between the valve and wall-mount spout.