

### Features

- Vitreous china
- Top-mount or under-mount
- 13-1/4" (337 mm) diameter

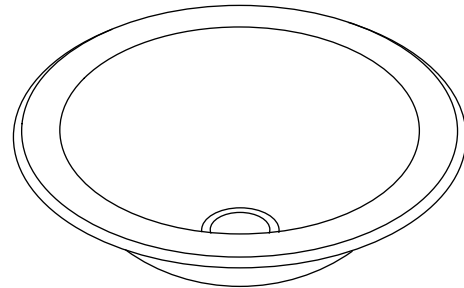
### DROP-IN OR UNDER-MOUNT BATHROOM SINK K-2298

ADA

### Codes/Standards Applicable

Specified model meets or exceeds the following:

- ASME A112.19.2/CSA B45.1



### Colors/Finishes

- 0: White
- Other: Refer to Price Book for additional colors/finishes

### Accessories:

- CP: Polished Chrome
- Other: Refer to Price Book for additional colors/finishes

### Specified Model

Model	Description	Colors/Finishes	
K-2298	Drop-in or under-mount bathroom sink	<input type="checkbox"/> 0	<input type="checkbox"/> Other_____
Recommended Accessory			
K-9018	P-Trap	<input type="checkbox"/> CP	<input type="checkbox"/> Other_____

### Product Specification

The drop-in or under-mount bathroom sink shall be 13-1/4" (337 mm) in diameter. Bathroom sink shall be made of vitreous china. Bathroom sink shall be Kohler Model K-2298-\_\_\_\_\_.

# COMPASS®

## Technical Information

Fixture*:	
Basin area, drop-in	Ø 13-1/4" (337 mm)
Basin area, under-mount	Ø 10-5/8" (270 mm)
Water depth	4-3/4" (121 mm)
Drain hole	Ø 1-3/4" (44 mm)
*Approximate measurements for comparison only.	

Included components:	
Adjustable linkage	40372
Cut-out template	116214-7
Basin clamp assembly (under-mount only)	52047

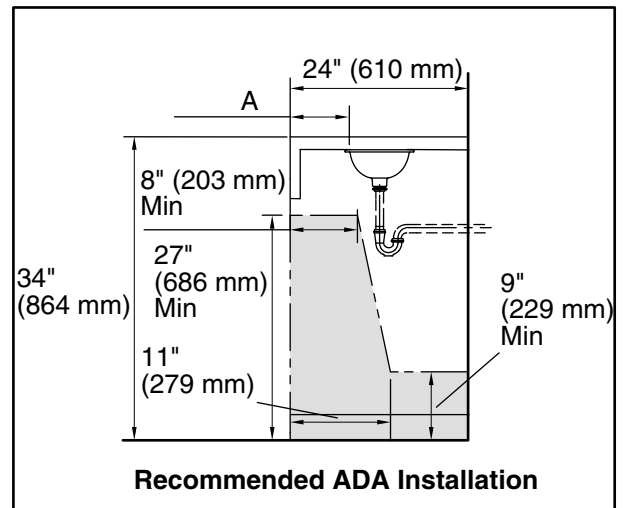
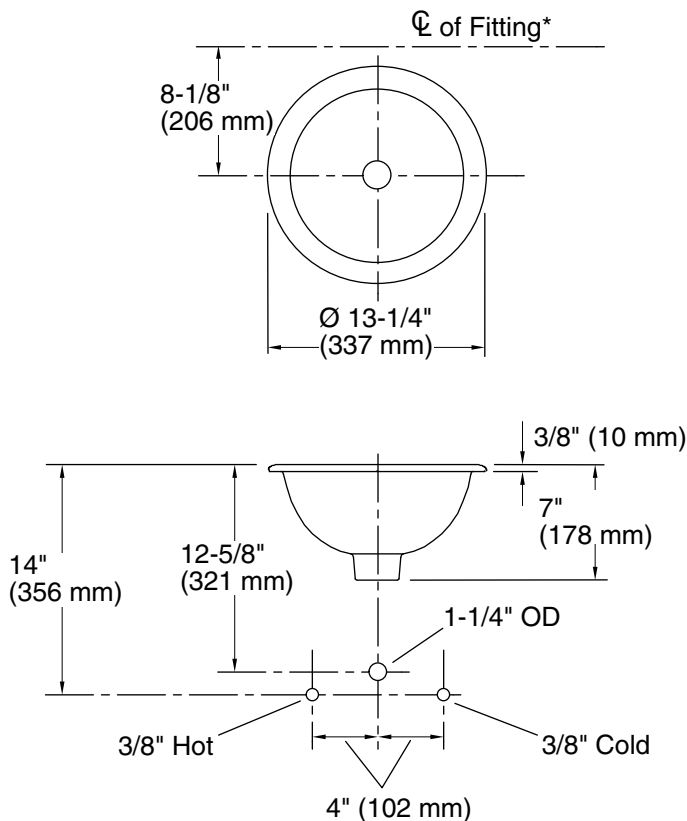
## Installation Notes

Install this product according to the installation guide.

Spout must be a minimum of 4-1/2" (114 mm) long for adequate clearance into bathroom sink.

Supplied basin clamp assembly for under-mount installation requires 1" (25 mm) minimum countertop thickness. Installer must supply hardware for thinner countertops.

Will comply with **ADA** when installed per Section 606 Lavatories of the Act.



	A
Drop-in	4-3/8" (137 mm)
Under-mount (shown)	4-3/8" (137 mm)

## Product Diagram