



A KOHLER COMPANY

Ensemble™ Medley™

60" x 32" Bath/Shower

71320120



Features

- Modular design allows it to be moved around corners and through doorways with ease.
- Durable high gloss finish.
- Innovative Dry-Block™ seal and channeled water containment system form watertight seams.
- Clean, contemporary design with ample shelving.
- 2" (51 mm) wainscot/tile ledge.
- 18" (457mm) bath depth (floor to top of threshold).
- 60" (1524 mm) x 32" (813 mm) x 75" (1905 mm) complete unit finished dimensions.

Material

- Compression molded from our exclusive solid Vikrell® material.

Installation

- Tongue-and-groove four piece modular design allows for easy snap together installation.
- Caulk-free installation.

Components

Product includes:

- 71324100 60" x 32" Medley™ Bath/Shower Wall Set
- 71121120 32" (813 mm) Bath



Codes/Standards

CSA B45.5/IAPMO Z124
 ASTM E162
 ASTM E662
 Greenguard UL 2818 - Gold
 HUD, UM Bulletin 73



STERLING® Warranty - Fixtures Made of Solid Vikrell Material

See website for detailed warranty information.

Available Color/Finishes

Color tiles intended for reference only.

Color Code Description

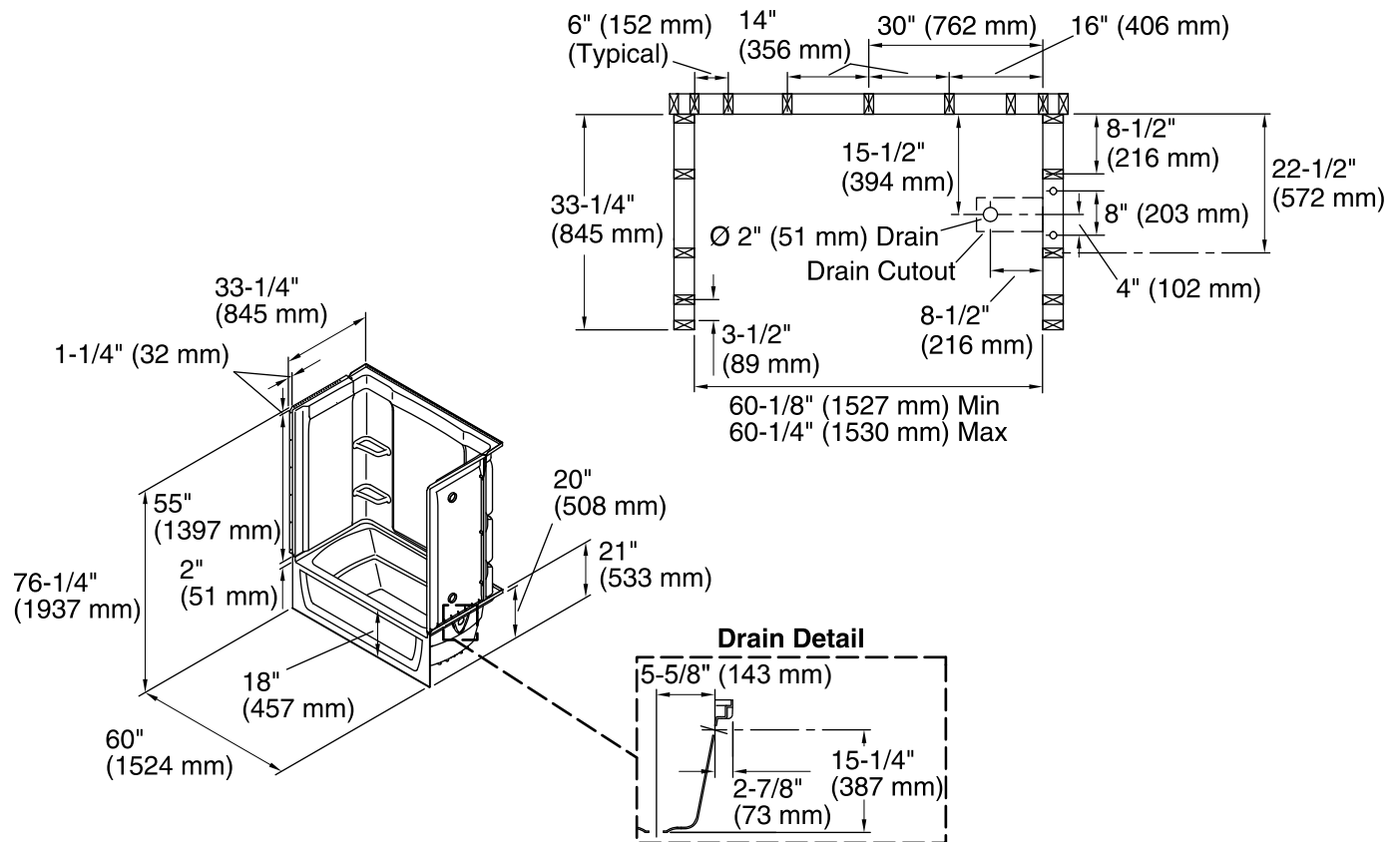
- | | | |
|--------------------------------------------------------------------------------------|----|---------|
|  | 0 | White |
|  | 96 | Biscuit |

USA/Canada: 1-800-STERLING (1-800-783-7546)

Kohler Co. reserves the right to make revisions without notice to product specifications.

For the most current Specification Sheet, go to www.sterlingplumbing.com.

6-13-2016 05:31



Technical Information

All product dimensions are nominal.

- Installation: 3-Wall Alcove
- Drain location: Right
- Basin area, bottom: 42" x 20" (1067 mm x 508 mm)
- Basin area, top: 54" x 26" (1372 mm x 660 mm)
- Water depth: 13-3/4" (349 mm)
- Water capacity: 55 gal (208.2 L)
- Minimum flat for door: 3" (76 mm)
- Door height required: 56-3/4" (1441 mm)
- Door width required: 57-11/16" (1465 mm)

Notes

- Install this product according to the installation instructions.
- Studs should be positioned roughly as shown.
- Double studding is recommended for pivot shower door installations.