

PARTS DIAGRAMS

HC 15-96, 20-125, and 33-160 Modulating Boilers - Parts assembly

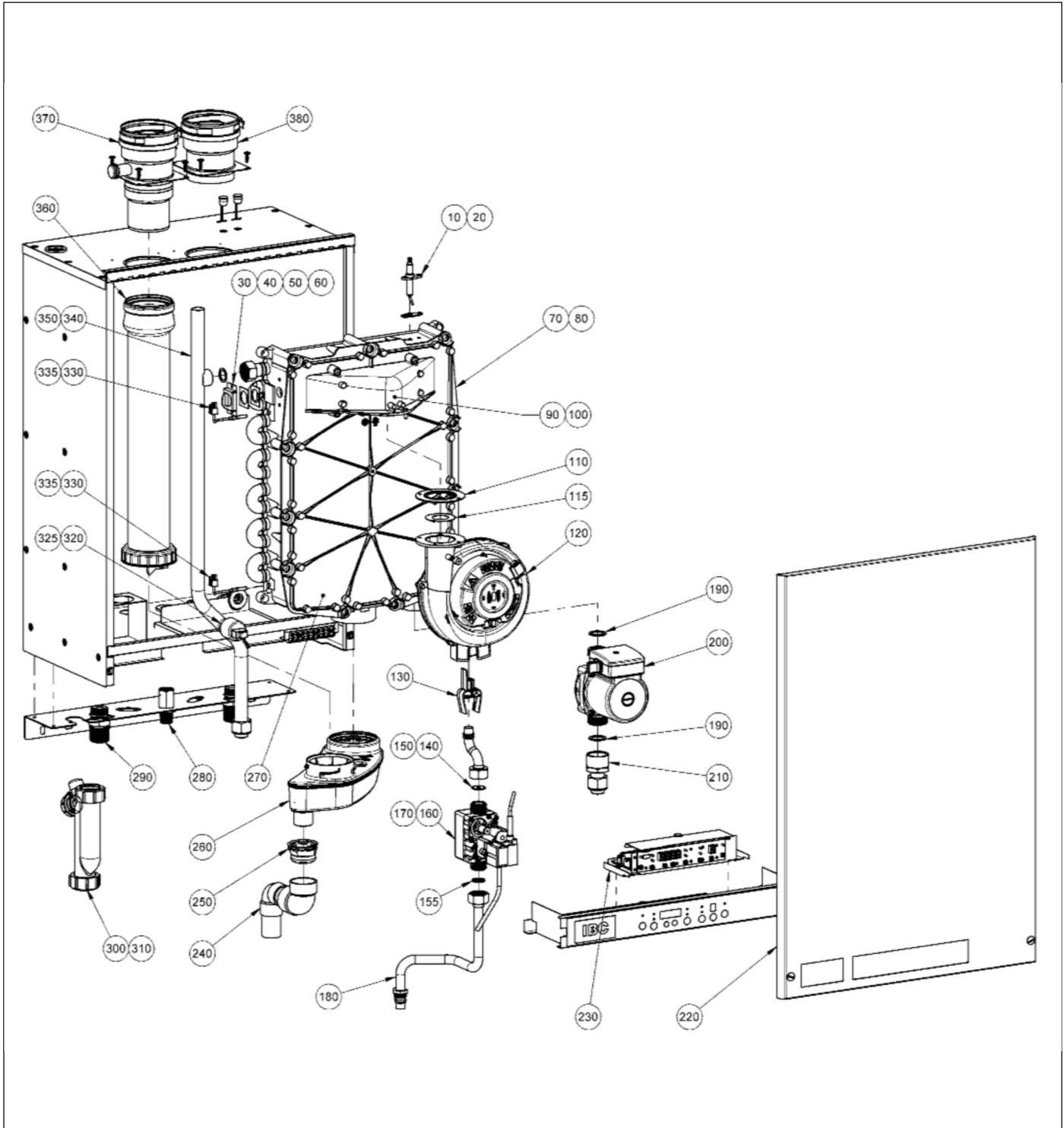


Diagram 6.1-1: Boiler assembly parts

ITEM NO.	PART NO.	DESCRIPTION	QTY
10	240-067	IGNITOR	1
20	250-622	GASKET, IGNITOR	1
30	250-623	VIEWPORT HOLDER	1
40	250-624	GASKET, VIEWPORT HOLDER	1
50	250-625	GASKET, VIEWPORT GLASS	1
60	250-626	VIEWPORT GLASS	1
70	170-020	HEAT EXCHANGER, HC 50	1
	170-023	HEAT EXCHANGER, HC 96, 125	
	170-024	HEAT EXCHANGER, HC 160	
80	250-687	GASKET, H.Ex., FRONT PANEL, HC 50	1
	250-689	GASKET, H.Ex., FRONT PANEL, DC/HC 96, 125, 160	
90	180-114	BURNER	1
100	250-646	GASKET, BURNER	1
110	250-627	GASKET, FAN	1
115	XXX	GASKET, FAN - DISCONTINUED MODEL	
120	240-068	FAN TORIN	1
130	180-196	VENTURI, 510, DC/HC 96	1
	180-112	VENTURI, 362, DC/HC 160	
	180-133	VENTURI, 541, HC 50	
	180-141	VENTURI, 471, HC 125	
135	250-731	GAS LINE, UPPER, HC 50	1
	250-733	GAS LINE, UPPER, DC/HC 96, 125, 160	1
140	180-119	ORIFICE, 480, NATURAL GAS, DC/HC 50	1
	180-095	ORIFICE, 505, NATURAL GAS, DC/HC 96	
	180-142	ORIFICE, 550, NATURAL GAS, HC 125	
	180-108	ORIFICE, 725, NATURAL GAS, DC/HC 160	
	180-118	ORIFICE, 330, PROPANE, DC/HC 50	
	180-198	ORIFICE, 392, PROPANE, DC/HC 96	
	180-143	ORIFICE, 460, PROPANE, HC 125	
180-096	ORIFICE, 580, PROPANE, DC/HC 160		
150	150-175	ORIFICE, O-RING	1
155	150-206	GASKET, GAS VALVE, INLET	1
160	180-097	GAS VALVE	1
170	240-069	GAS VALVE CABLE/IGNITION MODULE	1
180	250-628	GAS LINE, LOWER	1
190	250-634	GASKET, PUMP	2
200	180-098	PUMP	1
210	250-631	RETURN PIPE	1
220	500-072	DOOR ASSEMBLY, HC 50	1
	500-074	DOOR ASSEMBLY, DC/HC 96, 125, 160	
230	500-053	CONTROLLER ASSEMBLY, DC/HC 160	1
	500-071	CONTROLLER ASSEMBLY, HC 50	
	500-086	CONTROLLER ASSEMBLY, DC/HC 125	
240	190-123	CONDENSATE PIPE ASSEMBLY	1
250	190-124	SEAL, COND. PIPE TO BOTTOM PAN	1
260	180-100	BOTTOM PAN, HEAT EXCHANGER	1
270	240-076	VENT HIGH LIMIT SWITCH	1
280	190-119	FITTING, 1/2" NPT-M	1
290	190-121	FITTING, 1" NPT-M	2
300	180-099	CONDENSATE TRAP, SHORT, HC 50	1
	180-113	CONDENSATE TRAP, LONG, DC/HC 95, 96, 125, 160	
310	250-638	CONDENSATE TRAP HOOK	1
320	240-072	WATER PRESSURE SENSOR TYPE LWCO	1
325	150-204	C-CLIP, WATER PRESSURE SENSOR	1
330	240-073	WATER TEMPERATURE SENSOR	2
335	150-221	CLIP, WATER TEMPERATURE SENSOR	2
340	250-632	SUPPLY PIPE	1
350	250-635	GASKET, SUPPLY PIPE	1
360	250-673	EXHAUST DUCT, INTERNAL, HC 50	1
	250-675	EXHAUST DUCT, INTERNAL, DC/HC 96, 125, 160	
370	250-636	EXHAUST DUCT	1
380	250-637	INTAKE DUCT	1

Some parts are available in Kits.
Please visit www.ibcboiler.com
for more information.

Diagram 6.1-2: Boiler assembly parts list (refer to Diagram 6.1-1 on opposite page)