

### Features

- Patented K-joint installation ensures consistent trim appearance, regardless of variability in valve rough-in
- Wall-mount installation
- Ergonomic lever handle is ADA-compliant
- Trim requires valve to complete

### Required Accessories

K-728-K Three-Way/Two-Way Transfer Valve



For complete listing of available colors, go to [kohler.com](http://kohler.com).

ADA

CSA B651

OBC

### Codes/Standards

ASME A112.18.1/CSA B125.1

ADA

ICC/ANSI A117.1

CSA B651

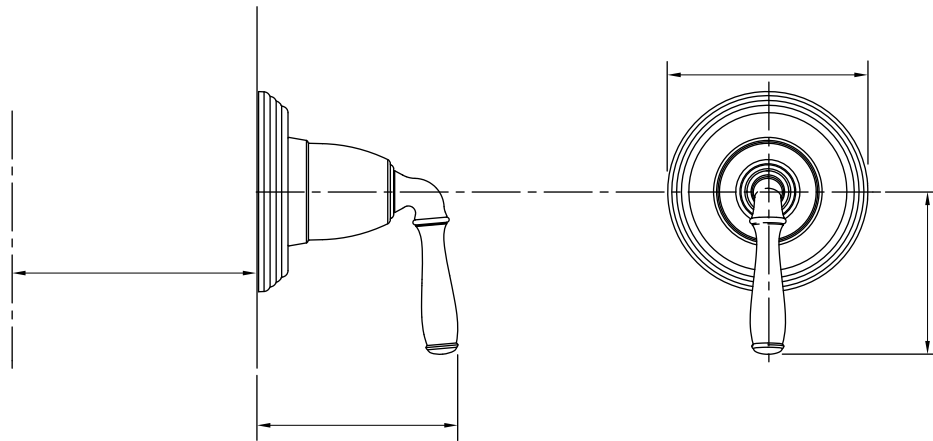
OBC

### Kohler Faucet Lifetime Limited Warranty

See website for detailed warranty information.

### Product Specification

The transfer valve trim shall be of brass construction. Trim shall include from seal plate assembly and handle assembly. Trim shall complement the Devonshire® suite. Transfer valve trim shall be Kohler Mode K-T376-4.



**Technical Information**

All measurements are nominal.

Pressure: 45 psi (3.1 bar)

**Installation Notes**

Install this product according to the installation guide.

ADA, OBC, CSA B651 compliant when installed to the specific requirements of these regulations.